

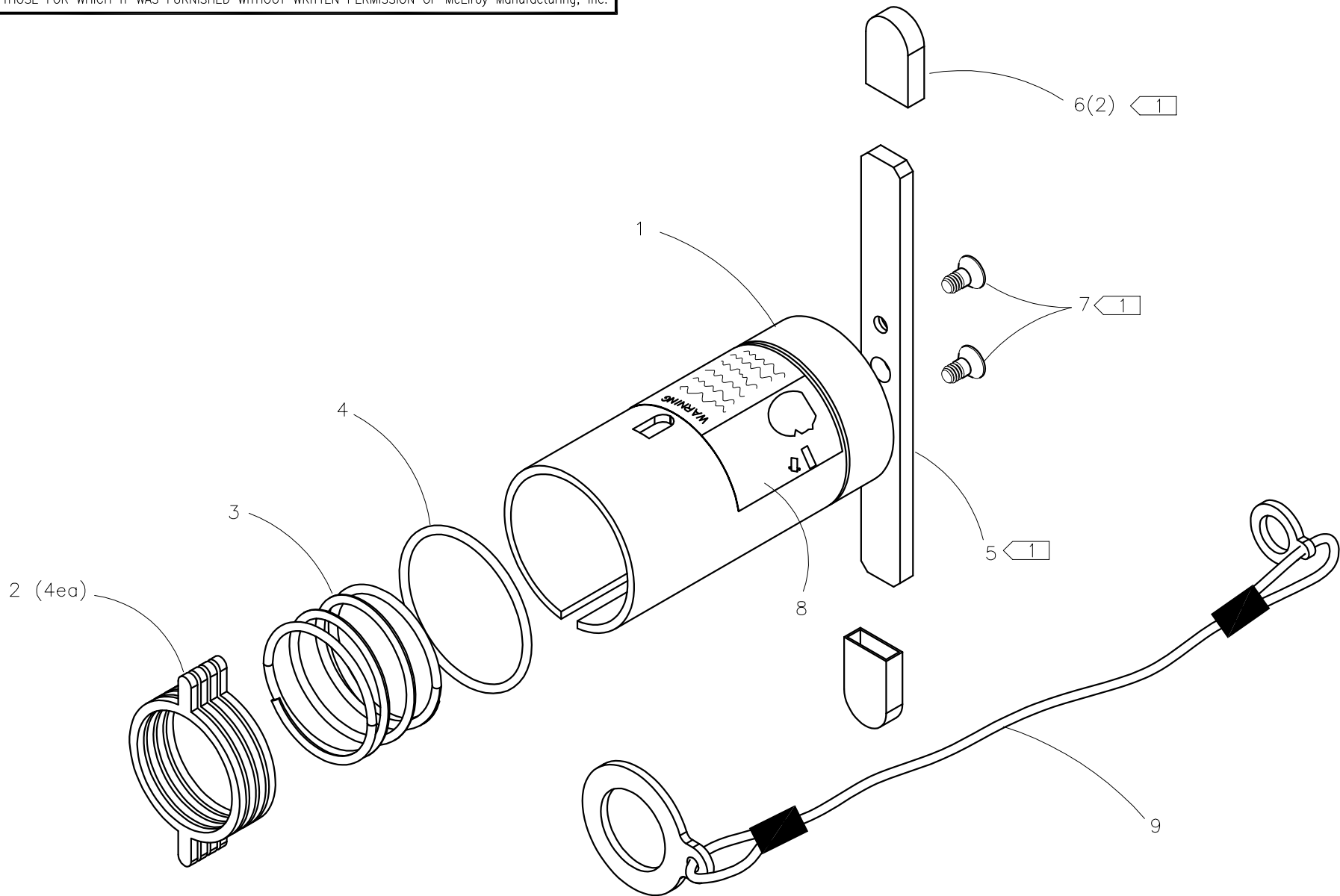


McElroy Manufacturing, Inc.
 The leader by design.
 Tulsa, Oklahoma U.S.A.

DRAWN: BWW	CHECK: MLM	APPRV'D: SRB	DATE: 11/19/04	DWG No: TP-300	SHT No: 1	REV No:	PART No: TABULATED
TEST CAP ASSEMBLY							CAD No: TP-300

NOTE: THIS DRAWING AND THE INFORMATION CONTAINED THEREIN IS THE CONFIDENTIAL AND PROPRIETARY PROPERTY OF McElroy Manufacturing, Inc. THE DRAWING IS NOT TO BE REPRODUCED IN ANY MANNER, SUBMITTED OUTSIDE PARTIES FOR EXAMINATION, OR USED DIRECTLY OR INDIRECTLY FOR THE PURPOSES OTHER THAN THOSE FOR WHICH IT WAS FURNISHED WITHOUT WRITTEN PERMISSION OF McElroy Manufacturing, Inc.

NOTES:
 1. PARTS FOR 2" IPS ONLY.



UNLESS NOTED OTHERWISE: (3) PLC. DIM'S .XXX = ±0.005" (2) PLC. DIM'S .XX = ±0.010" FRACTIONAL DIM'S = ±1/32" ANGULAR DIM'S = ±1/4' REMOVE ALL BURRS BREAK ALL SHARP EDGES STAMP OR ETCH P/N ON ALL DETAIL PARTS

MMI NUMBER	ITEM	QTY.	SIZE AND DESCRIPTION

TEST CAP ASSEMBLY

		TP-301	TP-302	TP-303	TP-304	TP-305	TP-306	TP-307	TP-308	TP-309	TP-310
		1/2 CTS TEST CAP	1/2 IPS TEST CAP	3/4 CTS TEST CAP	3/4 IPS TEST CAP	1 CTS TEST CAP	1 IPS TEST CAP	1 1/4 CTS TEST CAP	1 1/4 IPS TEST CAP	1 1/2 IPS TEST CAP	2 IPS TEST CAP
ITEM No.	DESCRIPTION	PART NUMBER									
1	TEST CAP	TP-401	TP-402	TP-403	TP-404	TP-405	TP-406	TP-407	TP-408	TP-409	TP-410
2	LOCKING RING	TP-601	TP-602	TP-603	TP-604	TP-605	TP-606	TP-607	TP-608	TP-609	TP-610
3	COMPRESSION SPRING	TP-701	TP-701	TP-701	TP-701	TP-702	TP-702	TP-702	TP-703	TP-703	TP-704
4	O-RING	MDL00131	MDL00170	MDL00170	MDL00122	MDL00171	MDL00172	MDL00173	MDL00174	MDL00175	MDL00176
5	TEST CAP HANDLE	-	-	-	-	-	-	-	-	-	TP-501
6	BLACK HAND GRIP	-	-	-	-	-	-	-	-	-	MJJ00011
7	1/4-20NC x 1/2LG FHSCS SS	-	-	-	-	-	-	-	-	-	MAN00014
8	TEST CAP WARNING LABEL	TP-1201	TP-1201	TP-1201	TP-1201	TP-1201	TP-1201	TP-1201	TP-1201	TP-1201	TP-1201
9	LANYARD ASSEMBLY	TP-1101	TP-1102	TP-1103	TP-1104	TP-1105	TP-1106	TP-1107	TP-1108	TP-1109	TP-1110

DRAWING REVISION HISTORY LISTING

PART NO: TP-300
DESCRIPTION: TEST CAP ASSEMBLY

<u>APPR.</u>	<u>REV</u>	<u>DATE</u>	<u>BY</u>	<u>DESCRIPTION OF REVISION</u>
SWB	-	11/19/04	BWW	THIS DRAWING REPLACES TP-301 AND TP-310. ADDED LANYARD ASSEMBLIES TP-1101 THRU TP-1110 AND WARNING LABEL TP-1201.