



McElroy Manufacturing, Inc.
The leader by design.
Tulsa, Oklahoma U.S.A.

DRAWN: DJL

CHECK: DWP

APPRV'D: JRP

DATE: 11/3/99

DWG No: T9006500

SHT No: 1

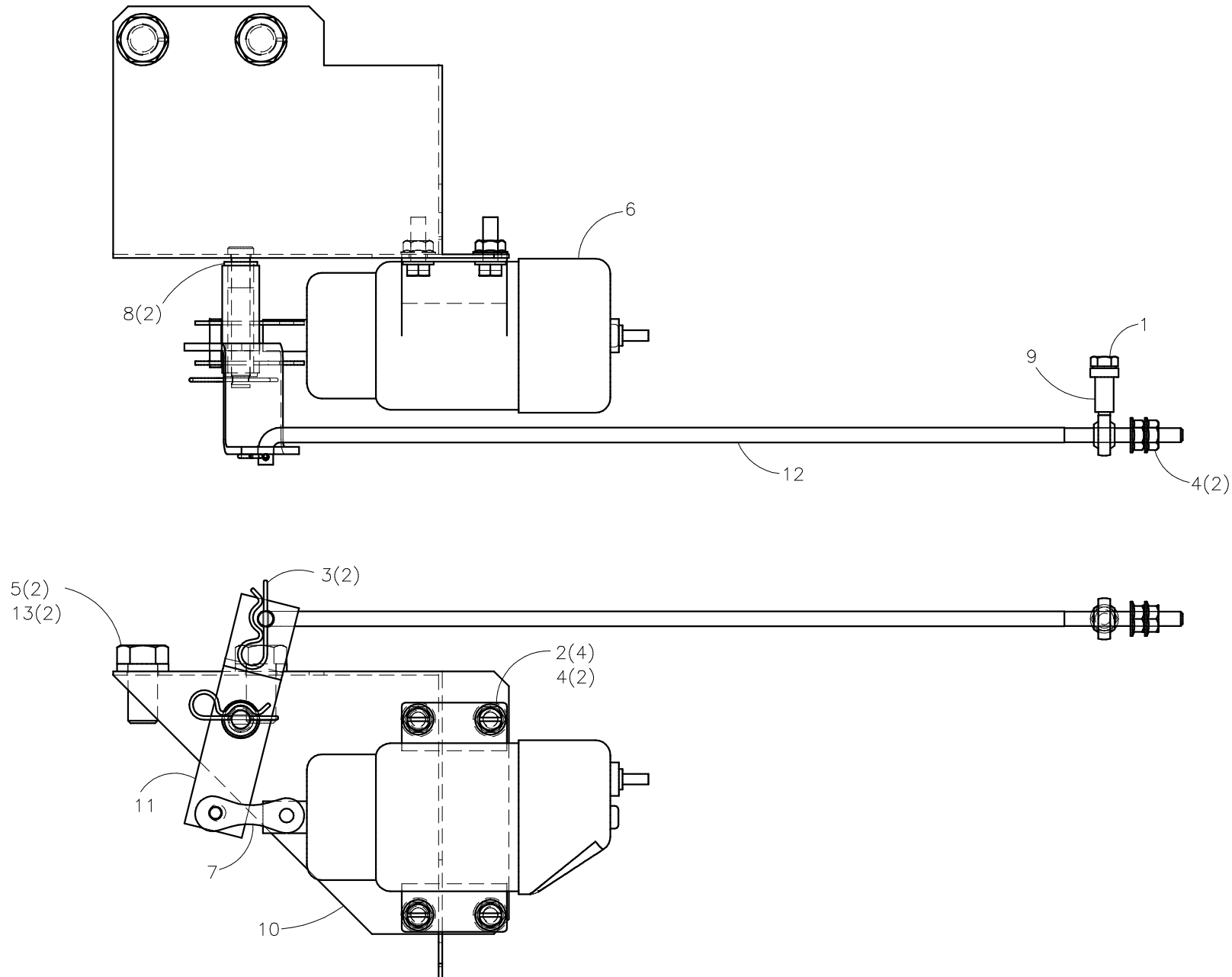
REV No:

PART No: T9006501

TracStar 900 THROTTLE LINK ASSEMBLY

CAD No: T9006501

NOTE: THIS DRAWING AND THE INFORMATION CONTAINED THEREIN IS THE CONFIDENTIAL AND PROPRIETARY PROPERTY OF McElroy Manufacturing, Inc. THE DRAWING IS NOT TO BE REPRODUCED IN ANY MANNER, SUBMITTED OUTSIDE PARTIES FOR EXAMINATION, OR USED DIRECTLY OR INDIRECTLY FOR THE PURPOSES OTHER THAN THOSE FOR WHICH IT WAS FURNISHED WITHOUT WRITTEN PERMISSION OF McElroy Manufacturing, Inc.



TracStar 900 THROTTLE LINK ASSEMBLY

Parts List

ITEM	PART NO.	QTY.	DESCRIPTION
	T9006501		ASSEMBLY
1	MAB00142	1	1/4-28NF X 3/4" LG HHCS GR5 STL PL
2	MAH00172	4	1/4-20NC X 3/4"LG HHFCS
3	MCH00022	2	5/16, 3/8 DIA. X 1 7/16 HAIRPIN
4	MBC00053	6	1/4-20NC PREV TRQ FLG LOCK NUT PLATED
5	MBE00009	2	1/2 REG SPLIT LOCK WASHER STL PL
6	MDA00049	1	SOLENOID
7	MDG00032	1	#2050 CONNECTING LINK
8	MDM00269	2	5/16" ID NYLON FLANGE BUSHING
9	MDM00286	1	1/4-28NF FEMALE BALL JOINT ROD END
10	T9006301	1	SOLENOID BRACKET WELDMENT
11	T5014805	1	SOLENOID BRACKET LINKAGE ARM WELDMENT
12	T9006401	1	SOLENOID LINK
13	MAB00103	2	1/2-13NCX1LG HHCS