



McElroy Manufacturing, Inc.
 The leader by design.
 Tulsa, Oklahoma U.S.A.

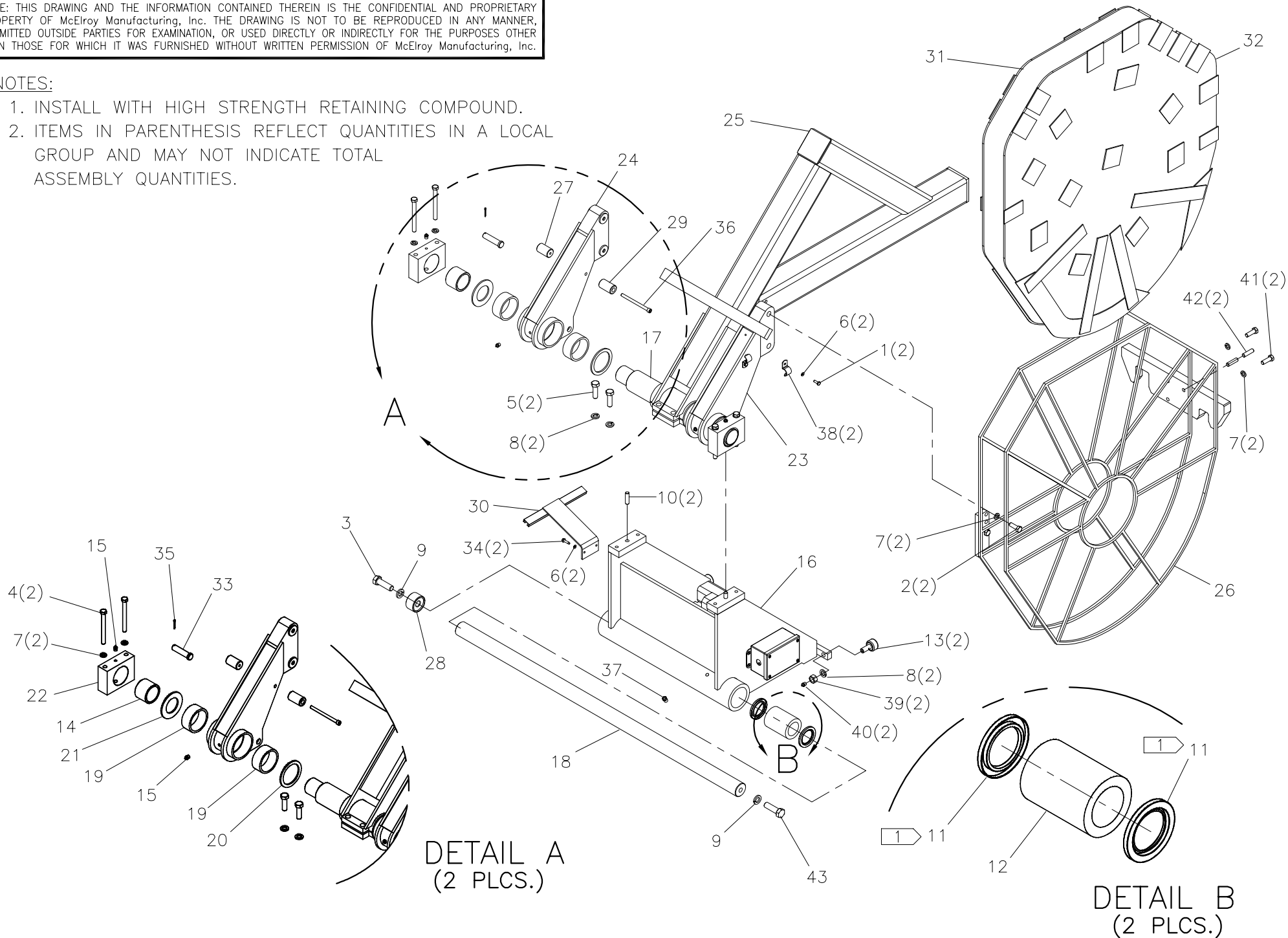
DRAWN: DJL	CHECK: DWP	APPRV'D: JRP	DATE: 11/9/99	SHT No: 1	REV No: G	PART No: T9003901
------------	------------	--------------	---------------	-----------	-----------	-------------------

TracStar® 900 INDEXER ASSEMBLY

NOTE: THIS DRAWING AND THE INFORMATION CONTAINED THEREIN IS THE CONFIDENTIAL AND PROPRIETARY PROPERTY OF McElroy Manufacturing, Inc. THE DRAWING IS NOT TO BE REPRODUCED IN ANY MANNER, SUBMITTED OUTSIDE PARTIES FOR EXAMINATION, OR USED DIRECTLY OR INDIRECTLY FOR THE PURPOSES OTHER THAN THOSE FOR WHICH IT WAS FURNISHED WITHOUT WRITTEN PERMISSION OF McElroy Manufacturing, Inc.

NOTES:

1. INSTALL WITH HIGH STRENGTH RETAINING COMPOUND.
2. ITEMS IN PARENTHESIS REFLECT QUANTITIES IN A LOCAL GROUP AND MAY NOT INDICATE TOTAL ASSEMBLY QUANTITIES.



TracStar® 900 INDEXER ASSEMBLY

Parts List

ITEM	PART NO.	QTY.	DESCRIPTION
	T9003901		ASSEMBLY
1	MAB00003	2	1/4-20NC X 3/4LG HHCS
2	MAB00069	2	1/2-13NC X 1-1/2LG HHCS
3	MAB00084	1	3/4-10NC X 3LG HHCS
4	MAB00113	4	1/2-13NC X 5LG HHCS
5	MAB00118	2	5/8-11NC X 2LG HHCS
6	MBE00005	4	1/4 REGULAR SPLIT LOCK WASHER
7	MBE00009	8	1/2 REGULAR SPLIT LOCK WASHER
8	MBE00011	4	5/8 REGULAR SPLIT LOCK WASHER
9	MBE00012	2	3/4 REGULAR SPLIT LOCK WASHER
10	MCI00022	2	1/2 DIA X 1-1/4LG DOWEL PIN
11	MDL00223	4	SEAL
12	MDM00037	2	LINEAR BALL BEARING
13	MDM00140	2	CAM FOLLOWER
14	MDM00287	2	BUSHING
15	MFJ00002	4	1/8NPT GREASE ZERK
16	T9004001	1	INDEXING CARRIAGE WELDMENT
17	T9004101	1	PIVOT SHAFT
18	T9004201	1	INDEXING SHAFT
19	T9004401	4	PIVOT ARM BEARING
20	T9004501	2	INNER THRUST WASHER
21	T9004601	2	OUTER THRUST WASHER
22	T9004701	2	INDEXER BEARING BLOCK
23	T9004801	1	HEATER PIVOT ARM
24	T9004901	1	FACER PIVOT ARM
25	T9005001	1	INDEXER ARM WELDMENT
26	T9007001	1	HEATER PANEL FRAME WELDMENT
27	T9012401	1	FACER BACK REST BUTTON
28	T9012501	1	INDEXER SHAFT EXTENSION
29	3603625	1	FACER REST BUTTON
30	T9017601	1	HOSE BRACKET WELDMENT
31	3617007	1	HEATER INSULATING PANEL
32	3617008	1	HEATER INSULATING PANEL
33	MCF00004	2	3/4DIA X 2-27/32 GRIP CLEVIS PIN
34	MAL00007	2	1/4-20NC X 3/4LG HWH TF SCREW
35	MCH00001	2	1/8DIA X 1LG COTTER PIN
36	MAC00107	1	3/8-16NC X 5LG SHCS
37	MFA00196	1	BREATHER FILTER VENT PLUG
38	MLJ00029	2	1/2 CONDUIT HANGER
39	MBA00031	2	5/8-18NF FINISH HEX NUT
40	MFJ00007	2	3/16 DRIVE-IN GREASE ZERK
41	MAB00105	2	1/2-13NC X 2 LG. HHCS

TracStar® 900 INDEXER ASSEMBLYParts List

ITEM	PART NO.	QTY.	DESCRIPTION
42	MCI00019	2	1/2 DIA X 1 3/4 LG DOWEL PIN
43	MAB00092	1	3/4-10NC X 2 1/2 LG HHCS

DRAWING REVISION HISTORY LISTING

PART NO: T9003901

DESCRIPTION: TracStar® 900 INDEXER ASSEMBLY

<u>APPR.</u>	<u>REV</u>	<u>DATE</u>	<u>BY</u>	<u>DESCRIPTION OF REVISION</u>
TLW	A	8/31/00	BWW	DELETED ITEM #19 T9004301 QTY. 1. REVISED QTY. OF ITEM #6 MBE00005 FROM 7 TO 3 AND QTY. OF ITEM #37 MAL00007 FROM 6 TO 2. MOVED COMPONENTS TO ELECTRICAL POWER ASSEMBLY.
TLW	B	9/19/00	BWW	REMOVED ITEM #30 T9016001 PIVOT CYLINDER ROD EYE MOD. MOVED TO TracStar 900 CARRIAGE HYDRAULIC SCHEMATIC.
BWJ	C	01/15/01	BWW	REVISED DRAWING TO CHANGE QTY ON ITEMS # 2 MAB00069 FROM 4 TO 2, #3 MAB00084 FROM 2 TO 1, #8 MBE00011 FROM 2 TO 4, #10 MCI00022 FROM 4 TO 2, #15 MFJ00002 FROM 6 TO 4. ALSO ADDED ITEMS #42 MBA00031 QTY 2, #43 MFJ00007 QTY 2, #44 MAB00105 QTY 2, #45 MCI00019 QTY 2, #46 MFD00078 QTY 1, #47 MFD00079 QTY 1, #48 MAB00036 QTY 1, AND #49 MAB00092 QTY 1. ITEM #49 WAS ADDED TO ACCOMADATE LIGHT WEIGHT T900, OTHER MISC. CHANGES MADE TO IMPROVE FIT.
DWP	D	07/10/01	BWW	REVISED TO REMOVE ITEMS 46 MFD00078, 47 MFD00079, AND 48 MAB00036. ITEMS ARE CALLED OUT ON T9001002. CHANGED ITEM 33 FROM 3613401 TO T9017601 FOR BETTER HOSE ROUTING.
BWJ	E	01/30/04	BWW	REVISED QTY OF ITEM 1 MAB00003 FROM 1 TO 2, ITEM 6 MBE00005 FROM 3 TO 4 AND ITEM 41 MLJ00029 FROM 1 TO 2. CHANGES MADE TO ACCOMMODATE REROUTING OF HEATER CABLE.
SWB	F	2/19/04	ALK	REMOVED ITEM #31 T9016201 INDEXER ARM CLEVIS PIN & REDUCED QTY. OF ITEM #38 MCH00001 COTTER PIN FROM 3 TO 2. ITEMS ARE CALLED OUT ON HYDRAULIC SCHEMATICS.
SWB	G	11/08/05	BWW	CREATED EXPLODED ISOMETRIC VIEW AND ADDED NOTES 1 AND 2 FOR CLARITY.