



McElroy Manufacturing, Inc.

The leader by design.

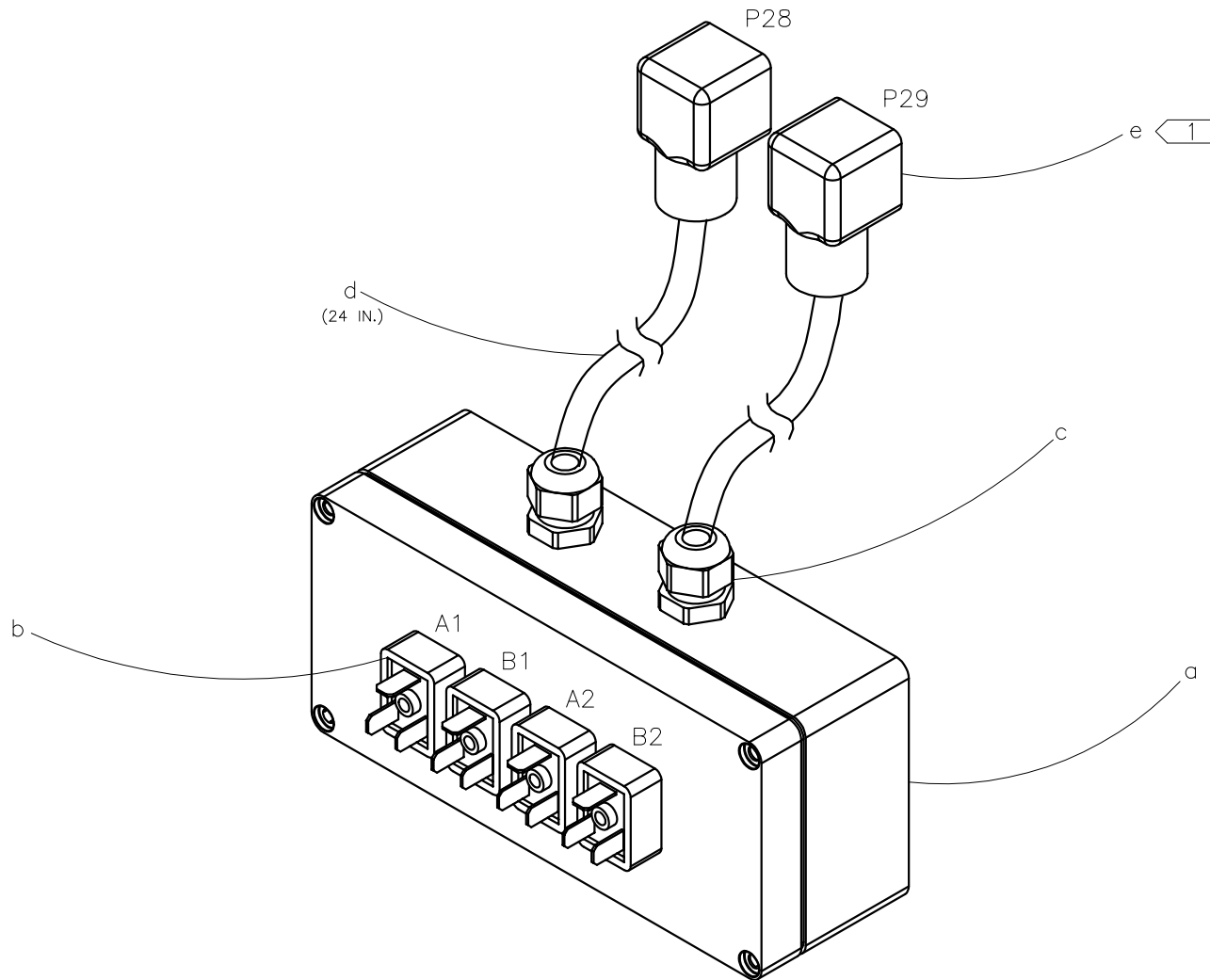
Tulsa, Oklahoma U.S.A.

DRAWN: DWB CHECK: MLM APPRV'D: BA DATE: 02/22/01 DWG No: T9017500 SHT No: 1A REV No: A PART No: T9017501

TracStar 900 TRACK SOLENOID ADAPTER

CAD No: T9017501

NOTE: THIS DRAWING AND THE INFORMATION CONTAINED THEREIN IS THE CONFIDENTIAL AND PROPRIETARY PROPERTY OF McElroy Manufacturing, Inc. THE DRAWING IS NOT TO BE REPRODUCED IN ANY MANNER, SUBMITTED OUTSIDE PARTIES FOR EXAMINATION, OR USED DIRECTLY OR INDIRECTLY FOR THE PURPOSES OTHER THAN THOSE FOR WHICH IT WAS FURNISHED WITHOUT WRITTEN PERMISSION OF McElroy Manufacturing, Inc.

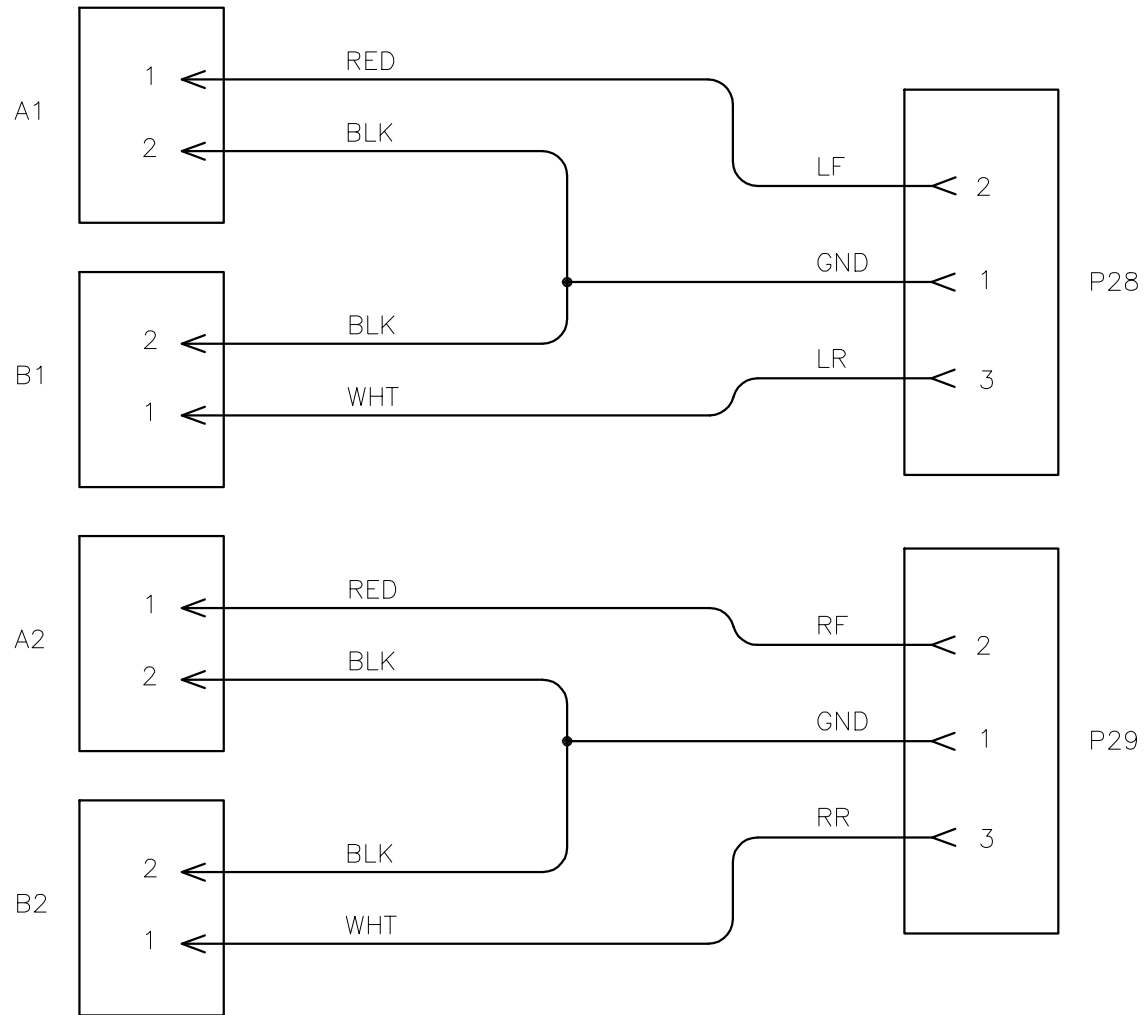




McElroy Manufacturing, Inc.
The leader by design.
Tulsa, Oklahoma U.S.A.

DRAWN: DWB	CHECK: MLM	APPRV'D: BA	DATE: 02/22/01	DWG No: T9017500	SHT No: 1B	REV No: A	PART No: T9017501
TracStar 900 TRACK SOLENOID ADAPTER							CAD No: T9017501

NOTE: THIS DRAWING AND THE INFORMATION CONTAINED THEREIN IS THE CONFIDENTIAL AND PROPRIETARY PROPERTY OF McElroy Manufacturing, Inc. THE DRAWING IS NOT TO BE REPRODUCED IN ANY MANNER, SUBMITTED OUTSIDE PARTIES FOR EXAMINATION, OR USED DIRECTLY OR INDIRECTLY FOR THE PURPOSES OTHER THAN THOSE FOR WHICH IT WAS FURNISHED WITHOUT WRITTEN PERMISSION OF McElroy Manufacturing, Inc.



TracStar 900 TRACK SOLENOID ADAPTERParts List

ITEM	PART NO.	QTY.	DESCRIPTION
	T9017501		ASSEMBLY
a	T9017502	1	ENCLOSURE MODIFICATION
b	MQF00257	4	11 MM MALE SOLENOID CONNECTOR
c	MLK00059	2	CORD STRAIN RELIEF
d	MLL00113	4FT.	#18/3 JACKETED CABLE
e	MQF00256	2	SOLENOID CONNECTOR WITH INDICATORS
f	MQH00132	2	5.6K, 5%, 1/4W RESISTOR
g	MAC00001	4	#4-40NC X 1/4 LG. SHCS
h	MLM00002	6	CRIMP ON WIRE JOINT

NOTES:

1. WIRE ITEM -f IN PARALLEL WITH RESISTOR THAT IS INCLUDED IN ITEM -e.

DRAWING REVISION HISTORY LISTING

PART NO: T9017501

DESCRIPTION: TracStar 900 TRACK SOLENOID ADAPTER

<u>APPR.</u>	<u>REV</u>	<u>DATE</u>	<u>BY</u>	<u>DESCRIPTION OF REVISION</u>
RAD	A	3/19/01	MLM	REVISED ITEM-D FROM 2.5FT TO 4FT. CORRECTED NOTE 1 FROM "SERIES" TO "PARALLEL".