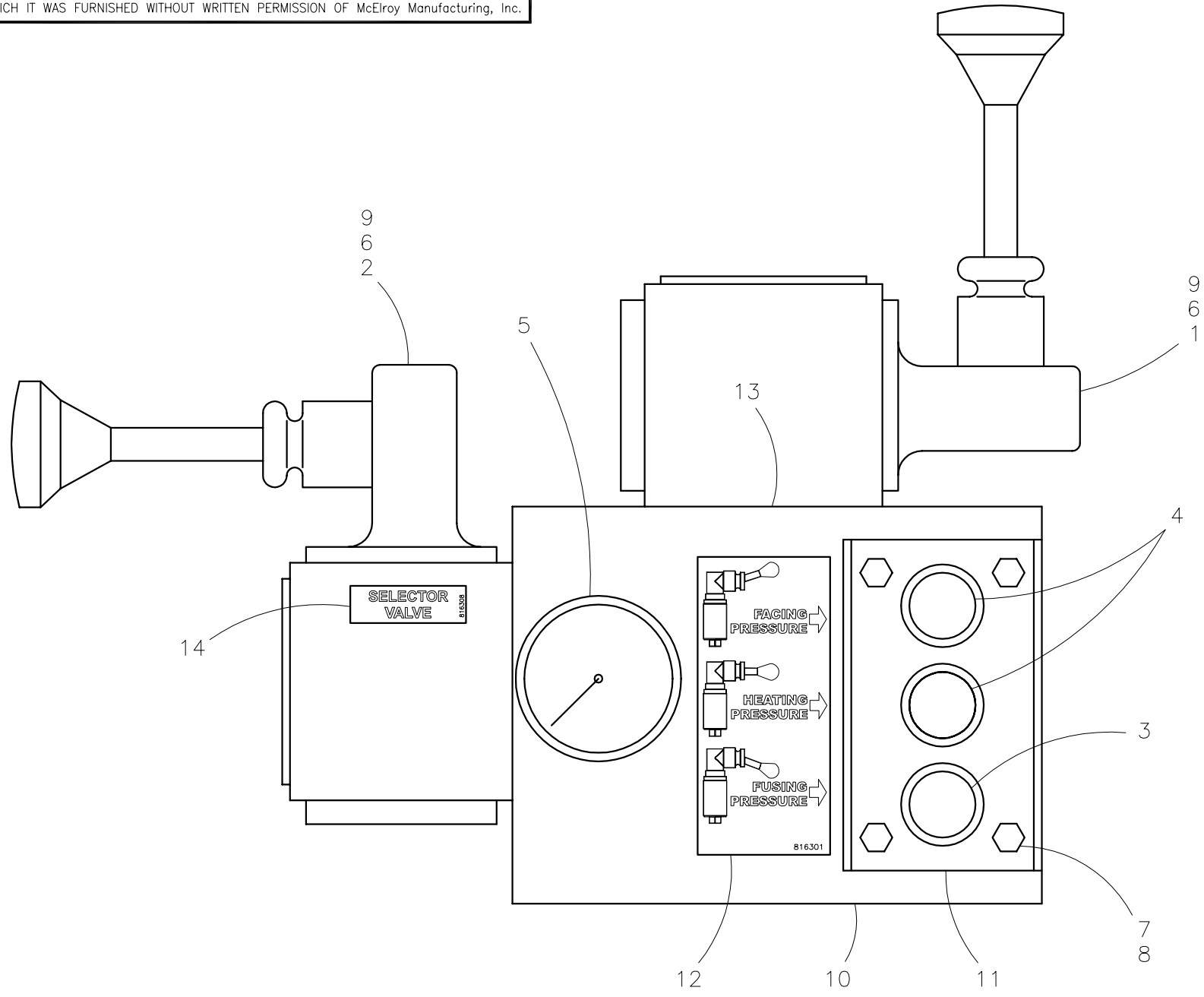




McElroy Manufacturing, Inc.
 The leader by design.
 Tulsa, Oklahoma U.S.A.

DRAWN: ALK	CHECK: BWJ	APPRV'D: JRP	DATE: 5/30/03	DWG No: T9013200	SHT No: 3	REV No:	PART No: T9013203
TracStar® 900 CARRIAGE MANIFOLD ASSEMBLY							CAD No: T9013203

NOTE: THIS DRAWING AND THE INFORMATION CONTAINED THEREIN IS THE CONFIDENTIAL AND PROPRIETARY PROPERTY OF McElroy Manufacturing, Inc. THE DRAWING IS NOT TO BE REPRODUCED IN ANY MANNER, SUBMITTED TO OUTSIDE PARTIES FOR EXAMINATION, OR USED DIRECTLY OR INDIRECTLY FOR THE PURPOSES OTHER THAN THOSE FOR WHICH IT WAS FURNISHED WITHOUT WRITTEN PERMISSION OF McElroy Manufacturing, Inc.



TracStar® 900 CARRIAGE MANIFOLD ASSEMBLYPARTS LIST

ITEM	PART NO.	QTY	DESCRIPTION
	T9013203		ASSEMBLY
1	MEF00004	1	DIRECTIONAL VALVE
2	MEF00005	1	DIRECTIONAL VALVE
3	MEG00004	1	PRESSURE REDUCING VALVE
4	MEG00003	2	PRESSURE REDUCING VALVE
5	MEE00003	1	1500PSI/BAR PRESSURE GAUGE
6	MAC00057	8	1/4-20NC X 1 1/2" LG SHCS
7	MAB00002	4	1/4-20NC X 1/2" LG HHCS
8	MBE00005	4	1/4 LOCK WASHER
9	MBE00020	8	1/4 HI-CLR SPLIT LOCK WASHER
10	3611205	1	CARRIAGE MANIFOLD BLOCK W/PLUGS
11	3611401	1	GUARD
12	816301	1	FCG, HTG, FUS PRESSURE SEL LABEL
13	8163104	1	CARRIAGE OPEN/CLOSE LABEL
14	816308	1	SELECTOR VALVE LABEL