



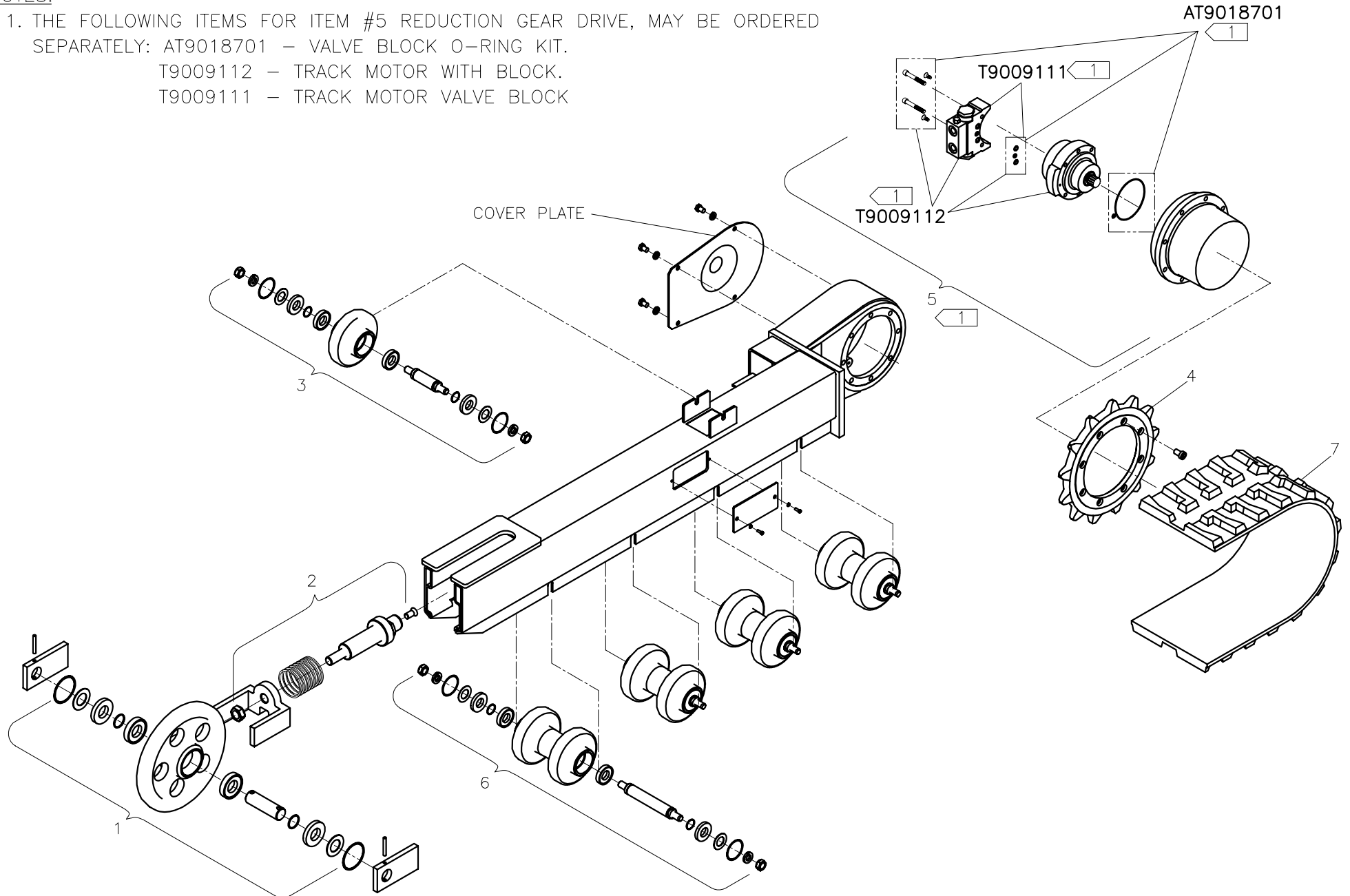
**McElroy Manufacturing, Inc.**  
 The leader by design.  
 Tulsa, Oklahoma U.S.A.

DRAWN: BWW	CHECK: SWB	APPRV'D: SWB	DATE: 06/11/01	DWG No: T9009100	SHT No: 3	REV No: F	PART No: T9009103
HINOWA TRACK DRIVE REPLACEMENT PARTS							CAD No: T9009103

NOTE: THIS DRAWING AND THE INFORMATION CONTAINED THEREIN IS THE CONFIDENTIAL AND PROPRIETARY PROPERTY OF McElroy Manufacturing, Inc. THE DRAWING IS NOT TO BE REPRODUCED IN ANY MANNER, SUBMITTED OUTSIDE PARTIES FOR EXAMINATION, OR USED DIRECTLY OR INDIRECTLY FOR THE PURPOSES OTHER THAN THOSE FOR WHICH IT WAS FURNISHED WITHOUT WRITTEN PERMISSION OF McElroy Manufacturing, Inc.

NOTES:

- THE FOLLOWING ITEMS FOR ITEM #5 REDUCTION GEAR DRIVE, MAY BE ORDERED SEPARATELY:  
 AT9018701 – VALVE BLOCK O-RING KIT.  
 T9009112 – TRACK MOTOR WITH BLOCK.  
 T9009111 – TRACK MOTOR VALVE BLOCK



**HINOWA TRACK DRIVE REPLACEMENT PARTS**Parts List

---

ITEM	PART NO.	QTY.	DESCRIPTION
	<b>T9009103</b>		<b>ASSEMBLY</b>
1	T9009104	2	TRACK TENSION WHEEL
2	T9009105	2	TRACK TENSION SUPPORT
3	T9009106	2	TOP ROLLER ASSEMBLY
4	T9009107	2	DRIVE WHEEL
5	T9009108	2	REDUCTION GEAR DRIVE
6	T9009109	8	ROLLER
7	T9009110	2	RUBBER TRACK

---

## DRAWING REVISION HISTORY LISTING

**PART NO:** T9009103  
**DESCRIPTION:** HINOWA TRACK DRIVE REPLACEMENT PARTS

<u>APPR.</u>	<u>REV</u>	<u>DATE</u>	<u>BY</u>	<u>DESCRIPTION OF REVISION</u>
SWB	A	08/27/02	BWW	ADDED NOTE 1. FOR PURCHASE OF VALVE BLOCK SEPARATELY AND ADDED FLAG NOTE TO DRAWING FOR ITEM 5.
SWB	B	11/6/03	ALK	REVISED NOTE 1 & ADDED P/N FOR TRACK MOTOR.
SWB	C	1/14/04	ALK	REMOVED T9009111 - VALVE BLOCK, ADDED "W/VALVE BLOCK" TO DESCRIPTION OF T9009112 TO MATCH AS PURCHASED.
SWB	D	4/1/04	MLM	REVISED TO ADD DETAIL VIEW OF TRACK MOTOR & VALVE BLOCK TO SHOW CONTENTS OF O-RING KIT.
SWB	E	11/09/05	BWW	MOVED NOTE TO FACE OF DRAWING FOR CLARITY.
BWJ	F	6/22/06	RLE	REVISED 'TracStar 900' TO 'HINOWA' IN DRAWING DESCRIPTION TO AVOID CONFUSION WITH NEW McELROY TRACKS.