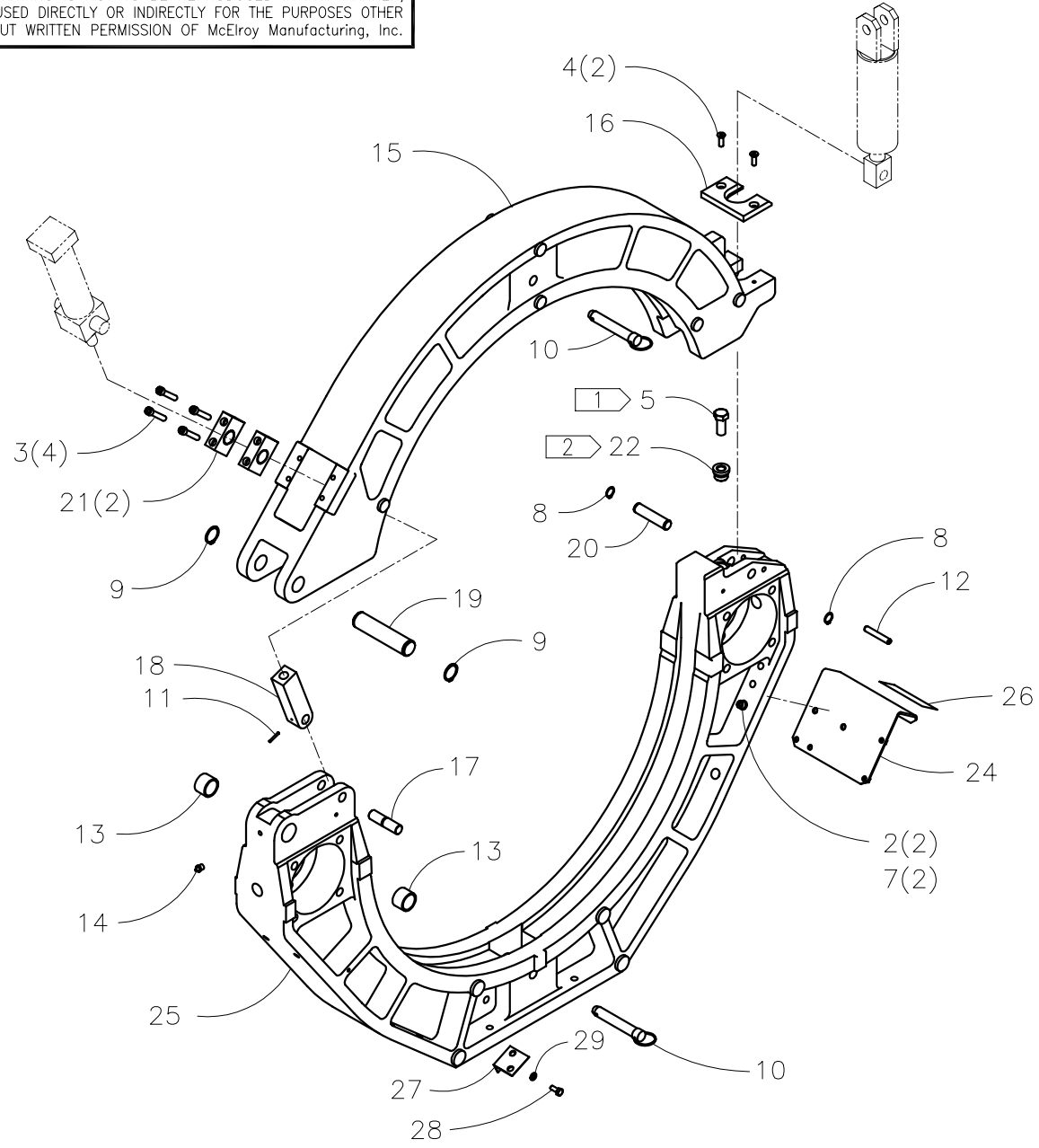




McElroy Manufacturing, Inc.
The leader by design.
Tulsa, Oklahoma U.S.A.

DRAWN: RLE	CHECK: BWP	APPR'D: JRP	DATE: 07/16/99	DWG No: T9008800	SHT No: 1	REV No: B	PART No: T9008801
TracStar® 900 OUTER MOVEABLE JAW ASSEMBLY							CAD No: T9008801

NOTE: THIS DRAWING AND THE INFORMATION CONTAINED THEREIN IS THE CONFIDENTIAL AND PROPRIETARY PROPERTY OF McElroy Manufacturing, Inc. THE DRAWING IS NOT TO BE REPRODUCED IN ANY MANNER, SUBMITTED OUTSIDE PARTIES FOR EXAMINATION, OR USED DIRECTLY OR INDIRECTLY FOR THE PURPOSES OTHER THAN THOSE FOR WHICH IT WAS FURNISHED WITHOUT WRITTEN PERMISSION OF McElroy Manufacturing, Inc.



TracStar® 900 OUTER MOVEABLE JAW ASSEMBLYParts List

ITEM	PART NO.	QTY.	DESCRIPTION
	T9008801		ASSEMBLY
1			
2	MAC00096	2	3/8-16NC x 1-1/2 LG. SHCS
3	MAC00338	4	3/8-24NF x 2" LG. SHCS
4	MAD00059	2	5/16-18NC x 1" LG. FHSCS
5	MAH00038	1	5/8-18NF x 1-1/2 LG. HHCS W/NYLON LOCK
6			
7	MBE00007	2	3/8 SPLIT LOCK WASHER
8	MCB00003	2	EXTERNAL SNAP RING
9	MCB00008	2	EXTERNAL SNAP RING
10	MCE00010	2	3/4 DIA. X 3.75 GRIP DETENT PIN
11	MCG00022	1	1/8 DIA. x 1" LG. ROLL PIN
12	MCG00023	1	3/8 DIA. X 2-1/2 LG. ROLL PIN
13	MDM00005	2	BUSHING
14	MFJ00002	1	1/8NPT GREASE ZERK
15	3602402	1	UPPER JAW
16	3604001	1	UPPER JAW CLAMP PAD
17	3604101	1	RETAINER PIN
18	3604201	1	ROD EYE
19	3604301	1	UPPER JAW PIVOT PIN
20	3604302	1	CLAMPING CYLINDER PIN
21	3607101	2	TRUNNION FITTING
22	3619101	1	THREADED INSERT
23			
24	T9003501	1	OUTER MOVEABLE JAW VALVE BRACKET
25	T9007801	1	OUTER MOVEABLE JAW
26	T9011201	1	MOVEABLE JAW VALVE LABEL
27	4826801	1	REAR PIPE LIFT CLIP
28	MAB00032	1	5/16-18NC x 3/4 LG. HHCS
29	MBE00006	1	5/16 SPLIT LOCK WASHER

NOTES:

1. HAND GRIND OFF RIDGES ON TOP OF BOLTS.
2. INSTALL WITH LOCTITE #272.

DRAWING REVISION HISTORY LISTING

PART NO: T9008801

DESCRIPTION: TracStar® 900 OUTER MOVEABLE JAW ASSEMBLY

<u>APPR.</u>	<u>REV</u>	<u>DATE</u>	<u>BY</u>	<u>DESCRIPTION OF REVISION</u>
DWP	A	10/28/99	RLE	ADDED ITEM #27 (4826801), ITEM #28 (MAB00032) & ITEM #29 (MBE00006).
BWJ	B	6/20/03	ALK	REMOVED ITEMS #1(MAB00071), #6(MBA00007), & #23(T9002601). REVISED QTY. OF ITEM #7(MBE00007) FROM 4 TO 2 TO ALLOW SAME ASSEMBLY TO BE USED ON MACHINES WITH OR WITHOUT A COACH.