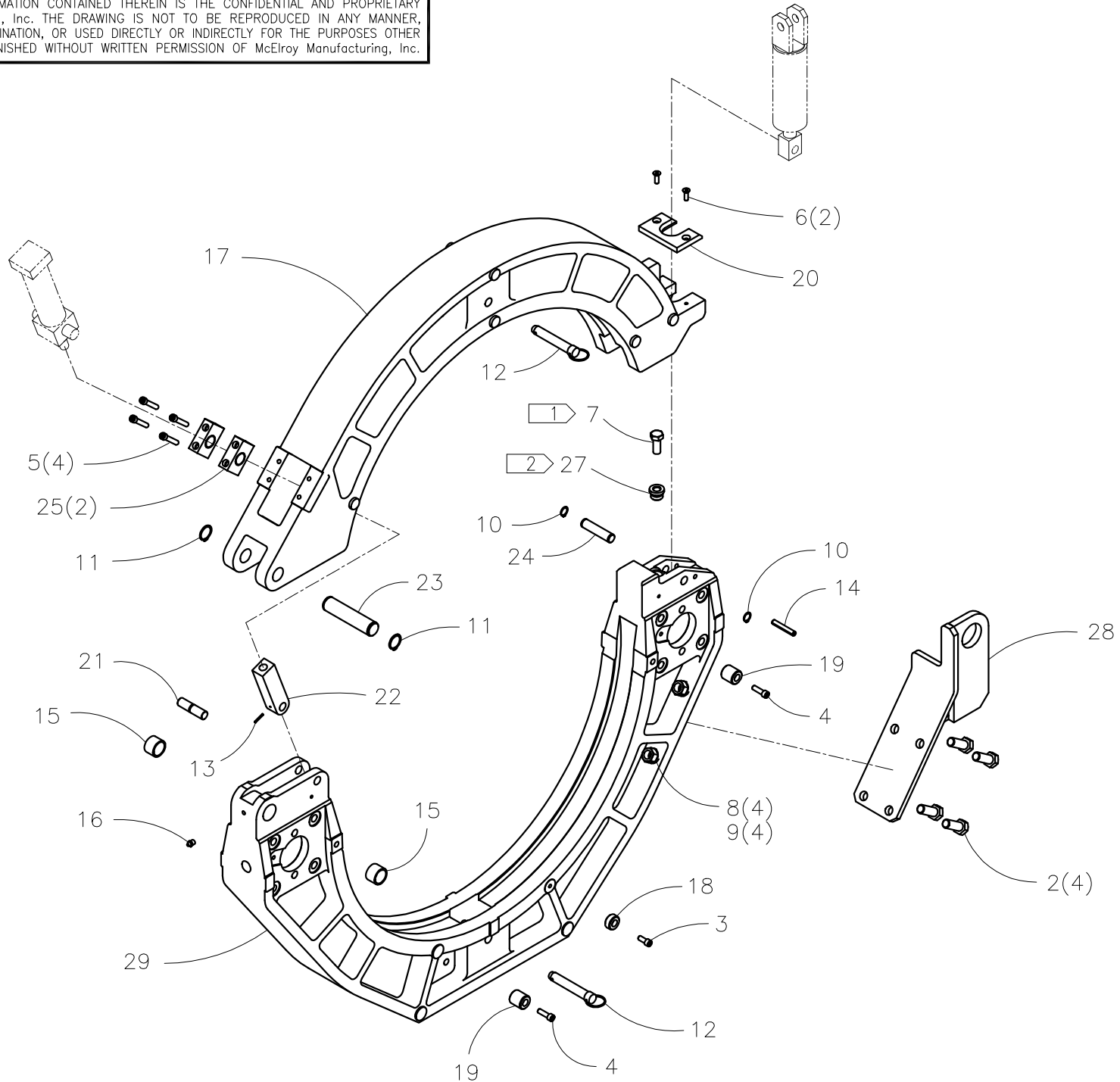




McElroy Manufacturing, Inc.
The leader by design.
Tulsa, Oklahoma U.S.A.

DRAWN: RLE	CHECK: BWP	APPRV'D: JRP	DATE: 07/14/99	DWG No: T9008700	SHT No: 1	REV No: B	PART No: T9008701
TracStar 900 INNER MOVEABLE JAW ASSEMBLY							CAD No: T9008701

NOTE: THIS DRAWING AND THE INFORMATION CONTAINED THEREIN IS THE CONFIDENTIAL AND PROPRIETARY PROPERTY OF McElroy Manufacturing, Inc. THE DRAWING IS NOT TO BE REPRODUCED IN ANY MANNER, SUBMITTED OUTSIDE PARTIES FOR EXAMINATION, OR USED DIRECTLY OR INDIRECTLY FOR THE PURPOSES OTHER THAN THOSE FOR WHICH IT WAS FURNISHED WITHOUT WRITTEN PERMISSION OF McElroy Manufacturing, Inc.



TracStar 900 INNER MOVEABLE JAW ASSEMBLY

Parts List

ITEM	PART NO.	QTY.	DESCRIPTION
	T9008701		ASSEMBLY
1			
2	MAB00084	4	3/4-10NC x 3" LG. HHCS
3	MAC00093	1	3/8-16NC x 7/8 LG. SHCS
4	MAC00095	2	3/8-16NC x 1-1/4 LG. SHCS
5	MAC00338	4	3/8-24NF x 2" LG. SHCS
6	MAD00059	2	5/16-18NC x 1" LG. FHSCS
7	MAH00038	1	5/8-18NF x 1-1/2 LG. HHCS W/NYLON LOCK
8	MBA00012	4	3/4-10NC HEX NUT
9	MBE00012	4	3/4 SPLIT LOCK WASHER
10	MCB00003	2	EXTERNAL SNAP RING
11	MCB00008	2	EXTERNAL SNAP RING
12	MCE00010	2	3/4 DIA. X 3.75 GRIP DETENT PIN
13	MCG00022	1	1/8 DIA. x 1" LG. ROLL PIN
14	MCG00023	1	3/8 DIA. X 2-1/2 LG. ROLL PIN
15	MDM00005	2	BUSHING
16	MFJ00002	1	1/8NPT GREASE ZERK
17	3602402	1	UPPER JAW
18	3603616	1	REST BUTTON
19	3603619	2	REST BUTTON
20	3604001	1	UPPER JAW CLAMP PAD
21	3604101	1	RETAINER PIN
22	3604201	1	ROD EYE
23	3604301	1	UPPER JAW PIVOT PIN
24	3604302	1	CLAMPING CYLINDER PIN
25	3607101	2	TRUNNION FITTING
26			
27	3619101	1	THREADED INSERT
28	T9003601	1	INNER MOVEABLE JAW PENDANT BRACKET
29	T9007701	1	LOWER INNER MOVEABLE JAW

NOTES:

1. HAND GRIND OFF RIDGES ON TOP OF BOLTS.
2. INSTALL WITH LOCTITE #272.

DRAWING REVISION HISTORY LISTING

PART NO: T9008701

DESCRIPTION: TracStar 900 INNER MOVEABLE JAW ASSEMBLY

<u>APPR.</u>	<u>REV</u>	<u>DATE</u>	<u>BY</u>	<u>DESCRIPTION OF REVISION</u>
DWP	A	7/25/00	BWW	REVISED ITEM #2 MAB00123 3/4-10NC X 2 LG TO MAB00084 3/4-10NC X 3 LG. NEED LONGER SCREW TO GET MORE THREAD ENGAGEMENT.
SWB	B	07/09/01	BWW	REVISED TO REMOVE ITEMS 1 MAB00069 AND 26 3615201. UPPER FACER STOP FOUND TO BE UNNECESSARY.