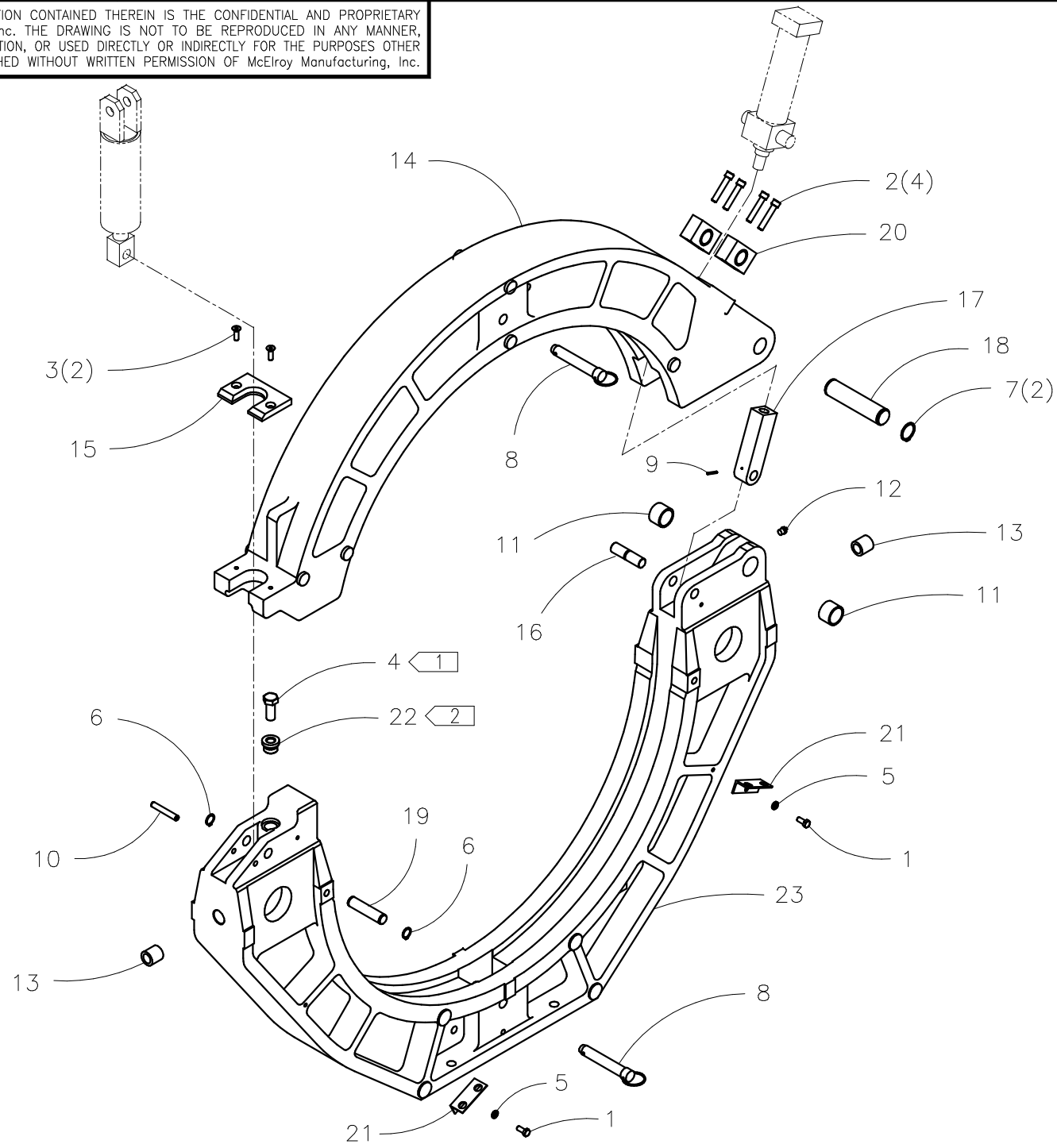




McElroy Manufacturing, Inc.
The leader by design.
Tulsa, Oklahoma U.S.A.

DRAWN: RLE	CHECK: BWP	APPRV'D: JRP	DATE: 07/12/99	DWG No: T9008600	SHT No: 1	REV No:	PART No: T9008601
TracStar 900 OUTER FIXED JAW ASSEMBLY							CAD No: T9008601

NOTE: THIS DRAWING AND THE INFORMATION CONTAINED THEREIN IS THE CONFIDENTIAL AND PROPRIETARY PROPERTY OF McElroy Manufacturing, Inc. THE DRAWING IS NOT TO BE REPRODUCED IN ANY MANNER, SUBMITTED OUTSIDE PARTIES FOR EXAMINATION, OR USED DIRECTLY OR INDIRECTLY FOR THE PURPOSES OTHER THAN THOSE FOR WHICH IT WAS FURNISHED WITHOUT WRITTEN PERMISSION OF McElroy Manufacturing, Inc.



TracStar 900 OUTER FIXED JAW ASSEMBLYParts List

ITEM	PART NO.	QTY.	DESCRIPTION
	T9008601		ASSEMBLY
1	MAB00032	2	5/16-18NC x 3/4 LG. HHCS
2	MAC00338	4	3/8-24NF x 2" LG. SHCS
3	MAD00059	2	5/16-18NC x 1" LG. FHSCS
4	MAH00038	1	5/8-18NF x 1-1/2 LG. HHCS W/NYLON LOCK
5	MBE00006	2	5/16 SPLIT LOCK WASHER
6	MCB00003	2	EXTERNAL SNAP RING
7	MCB00008	2	EXTERNAL SNAP RING
8	MCE00010	2	3/4 DIA. X 3.75 GRIP DETENT PIN
9	MCG00022	1	1/8 DIA. x 1" LG. ROLL PIN
10	MCG00023	1	3/8 DIA. X 2-1/2 LG. ROLL PIN
11	MDM00005	2	BUSHING
12	MFJ00002	1	1/8NPT GREASE ZERK
13	MJM00024	2	3/4 KEENSERT
14	3602402	1	UPPER JAW
15	3604001	1	UPPER JAW CLAMP PAD
16	3604101	1	RETAINER PIN
17	3604201	1	ROD EYE
18	3604301	1	UPPER JAW PIVOT PIN
19	3604302	1	CLAMPING CYLINDER PIN
20	3607101	2	TRUNNION FITTING
21	3613502	2	BULKHEAD FITTING ANGLE CLIP
22	3619101	1	THREADED INSERT
23	T9007601	1	OUTER FIXED JAW

NOTES:

1. HAND GRIND OFF RIDGES ON TOP OF BOLTS.
2. INSTALL WITH LOCTITE #272.