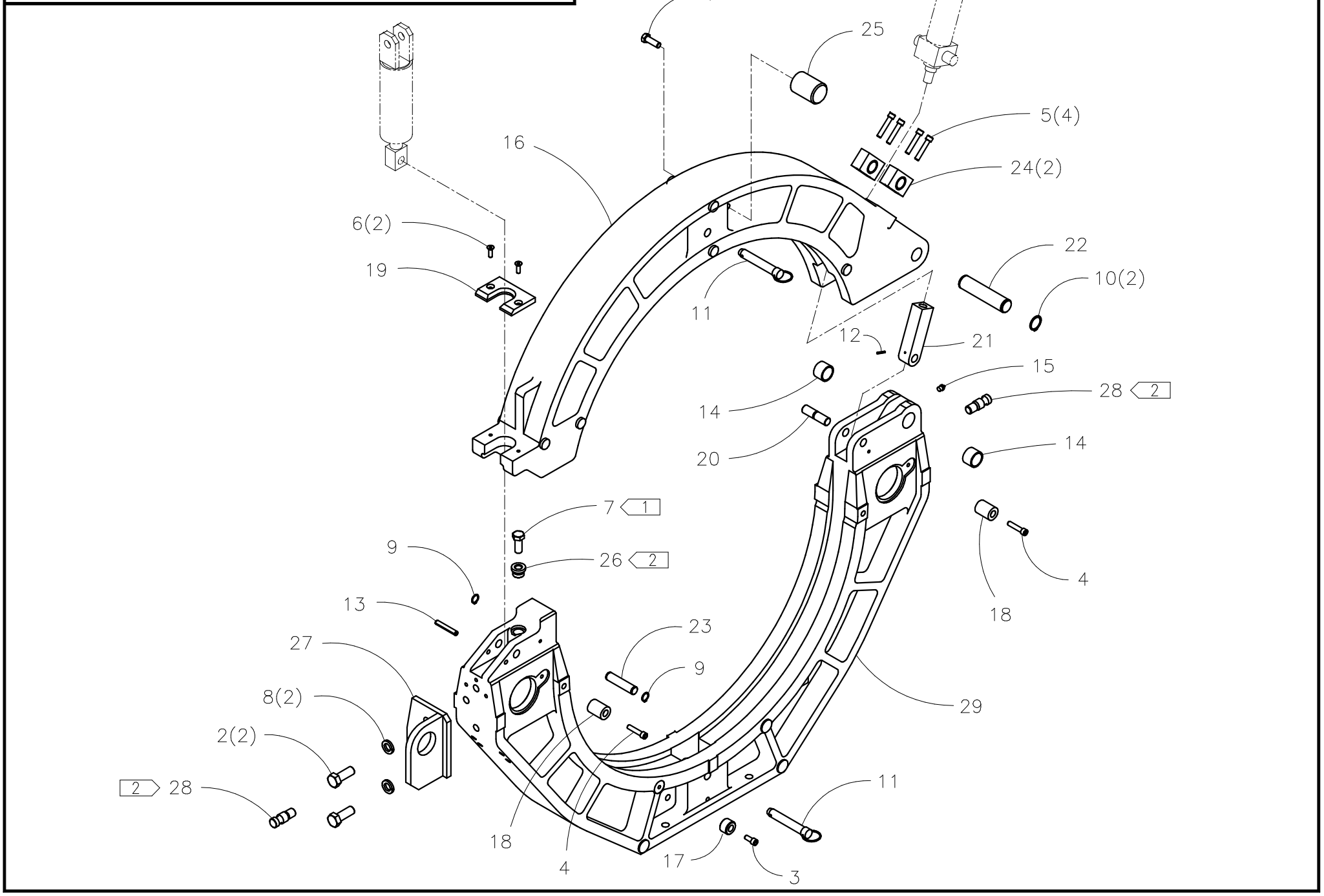




McElroy Manufacturing, Inc.
The leader by design.
Tulsa, Oklahoma U.S.A.

DRAWN: RLE	CHECK: BWP	APPRV'D: JRP	DATE: 07/07/99	DWG No: T9008500	SHT No: 1	REV No:	PART No: T9008501
TracStar 900 INNER FIXED JAW ASSEMBLY							CAD No: T9008501

NOTE: THIS DRAWING AND THE INFORMATION CONTAINED THEREIN IS THE CONFIDENTIAL AND PROPRIETARY PROPERTY OF McElroy Manufacturing, Inc. THE DRAWING IS NOT TO BE REPRODUCED IN ANY MANNER, SUBMITTED OUTSIDE PARTIES FOR EXAMINATION, OR USED DIRECTLY OR INDIRECTLY FOR THE PURPOSES OTHER THAN THOSE FOR WHICH IT WAS FURNISHED WITHOUT WRITTEN PERMISSION OF McElroy Manufacturing, Inc.



TracStar 900 INNER FIXED JAW ASSEMBLYParts List

ITEM	PART NO.	QTY.	DESCRIPTION
	T9008501		ASSEMBLY
1	MAB00069	1	1/2-13NC x 1-1/2 LG. HHCS
2	MAB00123	2	3/4-10NC x 2" LG. HHCS
3	MAC00093	1	3/8-16NC x 7/8 LG. SHCS
4	MAC00097	2	3/8-16NC x 1-3/4 LG. SHCS
5	MAC00338	4	3/8-24NF x 2" LG. SHCS
6	MAD00059	2	5/16-18NC x 1" LG. FHSCS
7	MAH00038	1	5/8-18NF x 1-1/2 LG. HHCS W/NYLON LOCK
8	MBE00012	2	3/4 SPLIT LOCK WASHER
9	MCB00003	2	EXTERNAL SNAP RING
10	MCB00008	2	EXTERNAL SNAP RING
11	MCE00010	2	3/4 DIA. X 3.75 GRIP DETENT PIN
12	MCG00022	1	1/8 DIA. x 1" LG. ROLL PIN
13	MCG00023	1	3/8 DIA. X 2-1/2 LG. ROLL PIN
14	MDM00005	2	BUSHING
15	MFJ00002	1	1/8NPT GREASE ZERK
16	3602402	1	UPPER JAW
17	3603617	1	REST BUTTON
18	3603620	2	REST BUTTON
19	3604001	1	UPPER JAW CLAMP PAD
20	3604101	1	RETAINER PIN
21	3604201	1	ROD EYE
22	3604301	1	UPPER JAW PIVOT PIN
23	3604302	1	CLAMPING CYLINDER PIN
24	3607101	2	TRUNNION FITTING
25	3615201	1	FACER STOP
26	3619101	1	THREADED INSERT
27	T9003401	1	INNER FIXED JAW LIFTING EYE
28	T9003701	2	FIXED JAW BRACE SHOULDER SCREW
29	T9007501	1	INNER FIXED JAW

NOTES:

1. HAND GRIND OFF RIDGES ON TOP OF BOLTS.
2. INSTALL WITH LOCTITE #272.