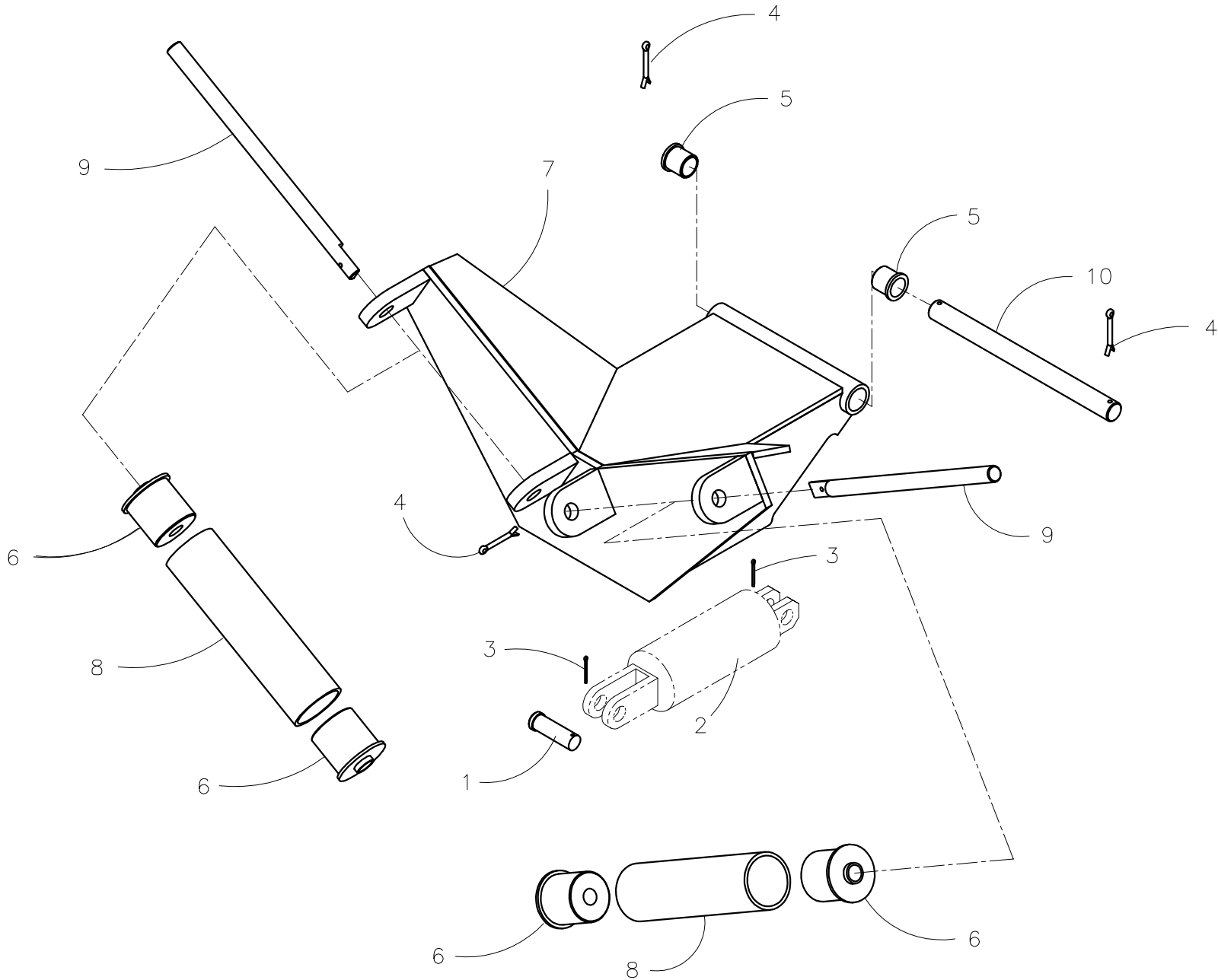




McElroy Manufacturing, Inc.
The leader by design.
Tulsa, Oklahoma U.S.A.

DRAWN: RLE	CHECK: BWP	APPRV'D: JRP	DATE: 07/27/99	DWG No: T9005400	SHT No: 1	REV No: A	PART No: T9005401
TracStar 900 PIPE LIFT ASSEMBLY							CAD No: T9005401

NOTE: THIS DRAWING AND THE INFORMATION CONTAINED THEREIN IS THE CONFIDENTIAL AND PROPRIETARY PROPERTY OF McElroy Manufacturing, Inc. THE DRAWING IS NOT TO BE REPRODUCED IN ANY MANNER, SUBMITTED OUTSIDE PARTIES FOR EXAMINATION, OR USED DIRECTLY OR INDIRECTLY FOR THE PURPOSES OTHER THAN THOSE FOR WHICH IT WAS FURNISHED WITHOUT WRITTEN PERMISSION OF McElroy Manufacturing, Inc.



TracStar 900 PIPE LIFT ASSEMBLYParts List

ITEM	PART NO.	QTY.	DESCRIPTION
	T9005401		ASSEMBLY
1	MCF00022	1	1" DIA. X 2-51/64 GRIP CLEVIS PIN
2	MCF00023	1	1" DIA. X 2-5/16 GRIP CLEVIS PIN
3	MCH00002	2	1/8 DIA. X 1-1/2 LG. COTTER PIN
4	MCH00006	3	1/4 DIA. X 2" LG. COTTER PIN
5	T9017801	2	FLANGE BUSHING MODIFICATION
6	MDM00289	4	ROLLER END BEARING
7	T9005501	1	PIPE LIFT WELDMENT
8	T9005601	2	PIPE LIFT ROLLER
9	T9005701	2	PIPE LIFT ROLLER SHAFT
10	T9005801	1	PIPE LIFT PIVOT SHAFT

DRAWING REVISION HISTORY LISTING

PART NO: T9005401

DESCRIPTION: TracStar 900 PIPE LIFT ASSEMBLY

<u>APPR.</u>	<u>REV</u>	<u>DATE</u>	<u>BY</u>	<u>DESCRIPTION OF REVISION</u>
LAA	A	4/1/02	ALK	REVISED TO CHANGE ITEM 5 FROM MDM00080 FLANGE BUSHING TO T9017801 FLANGE BUSHING MODIFICATION TO FACILITATE ASSEMBLY PROCESSES.