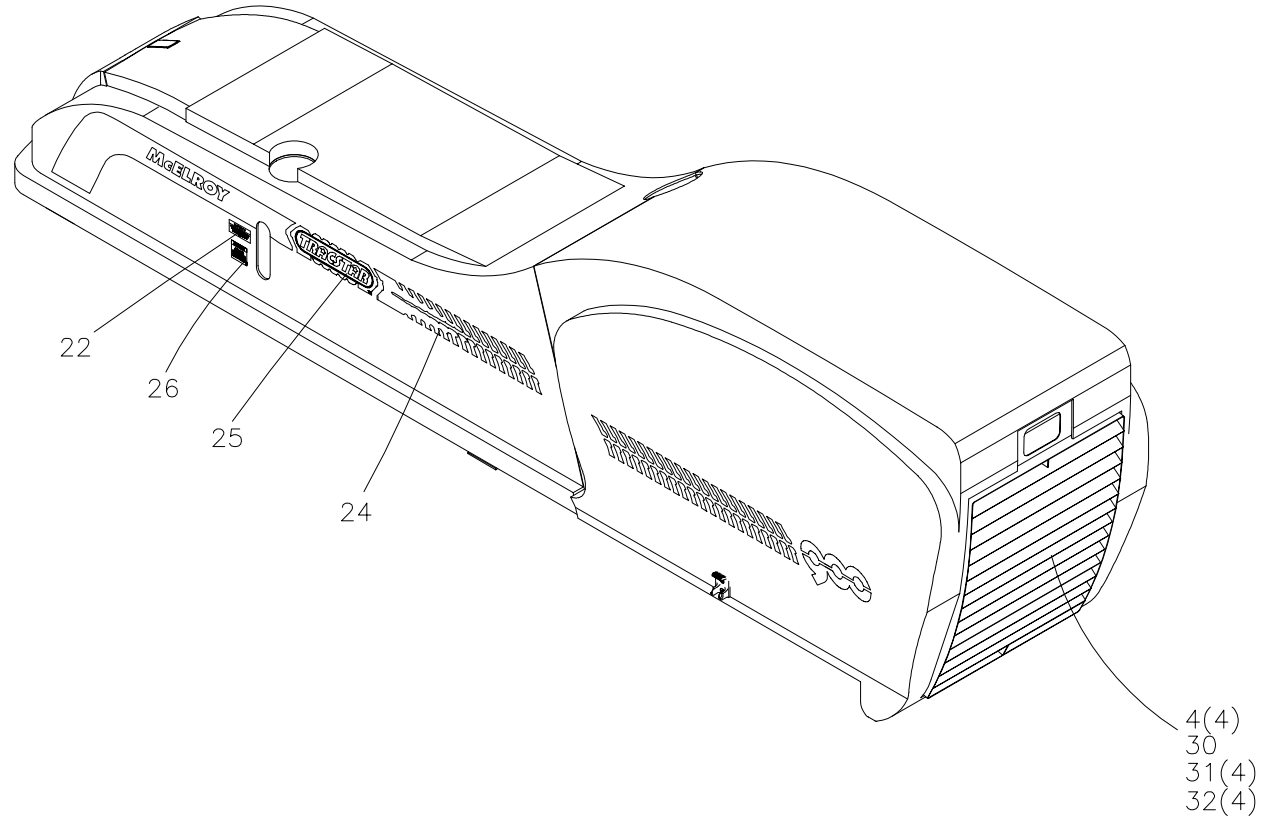




**McElroy Manufacturing, Inc.**  
The leader by design.  
Tulsa, Oklahoma U.S.A.

DRAWN: BWW	CHECK: TLW	APPRV'D: TLW	DATE: 9/29/00	DWG No: T9000700	SHT No: 1A	REV No: D	PART No: T9000701
TracStar® 900 HOOD ASSEMBLY							CAD No: T9000701

NOTE: THIS DRAWING AND THE INFORMATION CONTAINED THEREIN IS THE CONFIDENTIAL AND PROPRIETARY PROPERTY OF McElroy Manufacturing, Inc. THE DRAWING IS NOT TO BE REPRODUCED IN ANY MANNER, SUBMITTED OUTSIDE PARTIES FOR EXAMINATION, OR USED DIRECTLY OR INDIRECTLY FOR THE PURPOSES OTHER THAN THOSE FOR WHICH IT WAS FURNISHED WITHOUT WRITTEN PERMISSION OF McElroy Manufacturing, Inc.

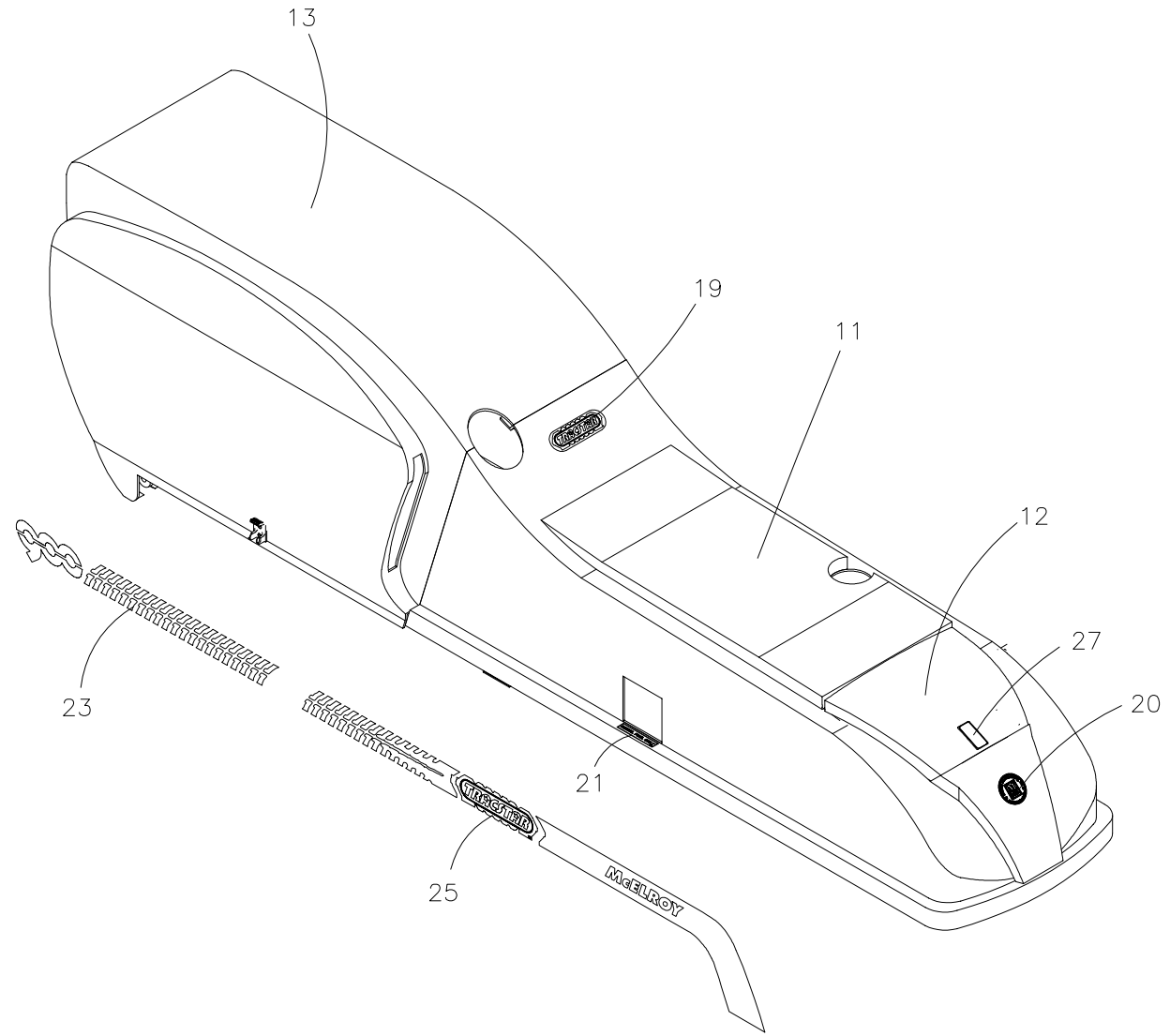




**McElroy Manufacturing, Inc.**  
The leader by design.  
Tulsa, Oklahoma U.S.A.

DRAWN: BWW	CHECK: TLW	APPRV'D: TLW	DATE: 9/29/00	DWG No: T9000700	SHT No: 1B	REV No: D	PART No: T9000701
TracStar® 900 HOOD ASSEMBLY							CAD No: T9000701

NOTE: THIS DRAWING AND THE INFORMATION CONTAINED THEREIN IS THE CONFIDENTIAL AND PROPRIETARY PROPERTY OF McElroy Manufacturing, Inc. THE DRAWING IS NOT TO BE REPRODUCED IN ANY MANNER, SUBMITTED OUTSIDE PARTIES FOR EXAMINATION, OR USED DIRECTLY OR INDIRECTLY FOR THE PURPOSES OTHER THAN THOSE FOR WHICH IT WAS FURNISHED WITHOUT WRITTEN PERMISSION OF McElroy Manufacturing, Inc.

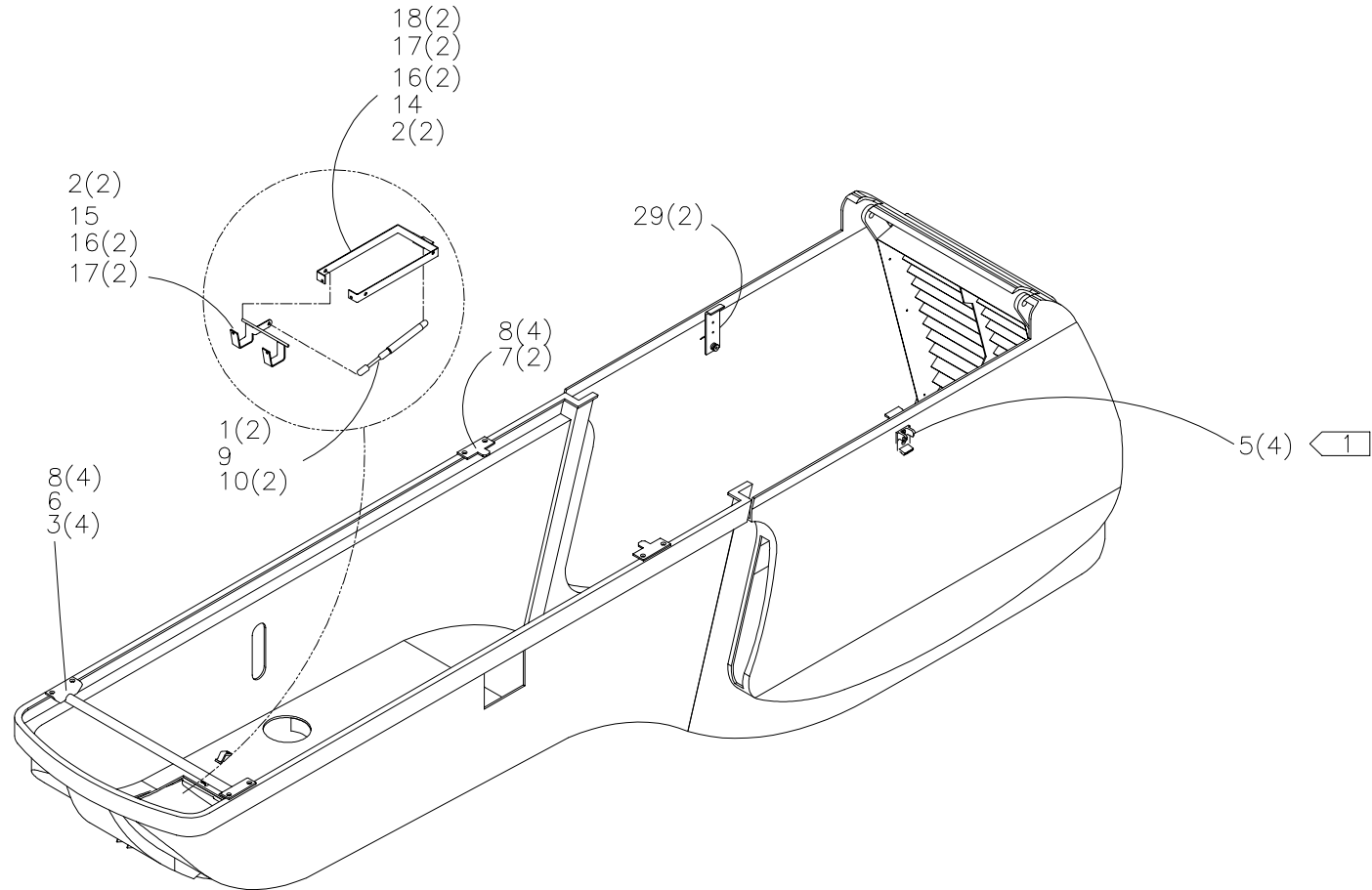




**McElroy Manufacturing, Inc.**  
The leader by design.  
Tulsa, Oklahoma U.S.A.

DRAWN: BWW	CHECK: TLW	APPRV'D: TLW	DATE: 9/29/00	DWG No: T9000700	SHT No: 1C	REV No: D	PART No: T9000701
TracStar® 900 HOOD ASSEMBLY							CAD No: T9000701

NOTE: THIS DRAWING AND THE INFORMATION CONTAINED THEREIN IS THE CONFIDENTIAL AND PROPRIETARY PROPERTY OF McElroy Manufacturing, Inc. THE DRAWING IS NOT TO BE REPRODUCED IN ANY MANNER, SUBMITTED OUTSIDE PARTIES FOR EXAMINATION, OR USED DIRECTLY OR INDIRECTLY FOR THE PURPOSES OTHER THAN THOSE FOR WHICH IT WAS FURNISHED WITHOUT WRITTEN PERMISSION OF McElroy Manufacturing, Inc.



**TracStar® 900 HOOD ASSEMBLY**Parts List

ITEM	PART NO.	QTY.	DESCRIPTION
	<b>T9000701</b>		<b>ASSEMBLY</b>
1	MBC00052	2	5/16-18NC PREVAILING TORQUE FLANGE LOCK NUT
2	MAH00105	4	#10-24NC X 3/4 LG FHSCS
3	MAH00077	8	1/4-20NC X 3/4 LG FHSCS
4	MAB00033	4	5/16-18NC X 1 LG HHCS
5	MAN00008	4	#10-24NC X 1 LG SHCS SS
6	T9012901	1	FRONT HOOD MOUNT BAR
7	T9013001	2	FRONT HOOD MOUNT PLATE
8	MBC00053	6	1/4-20NC PREVAILING TORQUE FLANGE LOCK NUT
9	MGA00046	1	GAS SPRING
10	MGF00061	2	MOUNTING STUD
11	T9009301	1	FRONT HOOD
12	T9009302	1	CONTROL COMPARTMENT FRONT HOOD
13	T9009401	1	REAR HOOD
14	T9010501	1	HATCH HINGE BASE
15	T9010601	1	HATCH HINGE WELDMENT
16	MBA00004	4	#10-24NC HEX NUT
17	MBE00004	4	#10 REGULAR SPLIT LOCK WASHER
18	MDM00291	2	NYLON BUSHING
19	T5015601	1	T500 LOGO LABEL
20	T5015602	1	MMI MEDALION LABEL
21	T5022901	1	DIESEL FUEL ONLY LABEL
22	8163106	1	HYDRAULIC OIL SPECIFICATION LABEL
23	T9010701	1	LEFT SIDE PANEL LABEL
24	T9010801	1	RIGHT SIDE PANEL LABEL
25	T9010901	2	TracStar LOGO LABEL
26	T9018801	1	HYDRAULIC FLUID LEVEL LABEL
27	MJP00030	1	LATCH
29	T9010001	2	HOOD LATCH BRACKET WELDMENT
30	T9009901	1	GRILL WELDMENT
31	MBE00006	4	5/16 REGULAR SPLIT LOCK WASHER
32	MBF00006	4	5/16 TYPE 'A' WIDE FLAT WASHER

**NOTES:**

1. HOOD LATCH KEEPER INCLUDED IN HOOD LATCH ASSEMBLY P/N MJQ00341.

## DRAWING REVISION HISTORY LISTING

**PART NO:** T9000701

**DESCRIPTION:** TracStar 900 HOOD ASSEMBLY

<u>APPR.</u>	<u>REV</u>	<u>DATE</u>	<u>BY</u>	<u>DESCRIPTION OF REVISION</u>
SWB	A	2/1/02	ALK	REMOVED ITEM 28 AND REPLACED WITH NOTE 1 TO SPECIFY HOOD LATCH ASSEMBLY INCLUDES KEEPER. CORRECTED QTY OF ITEM 5 FROM (2) TO (4) ON SHT. 1C.
BWJ	B	7/21/03	ALK	REVISED TO REMOVE ITEM #26 TO ALLOW ASSEMBLY TO BE USED ON MACHINES WITH & WITHOUT COACH.
BWJ	C	12/02/03	BWW	REVISED TO ADD ITEM 26 T9018801 QTY 1 FOR FILLING OIL LEVEL TO LOW WHEN COLD TO ALLOW FOR EXPANSION.
SWB	D	11/02/04	BWW	REVISED ITEM 22 FROM T5027401 TO 8163106 FOR OIL SPECIFICATION INFORMATION.