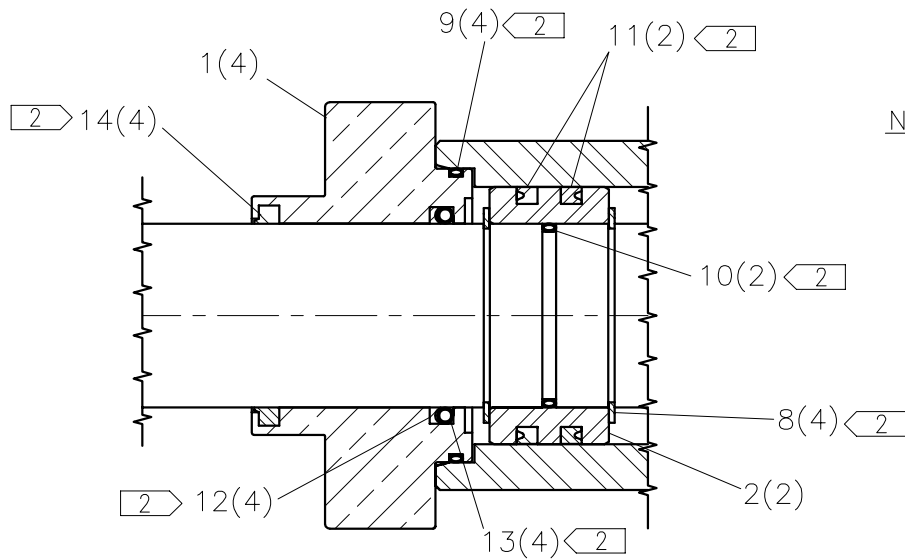
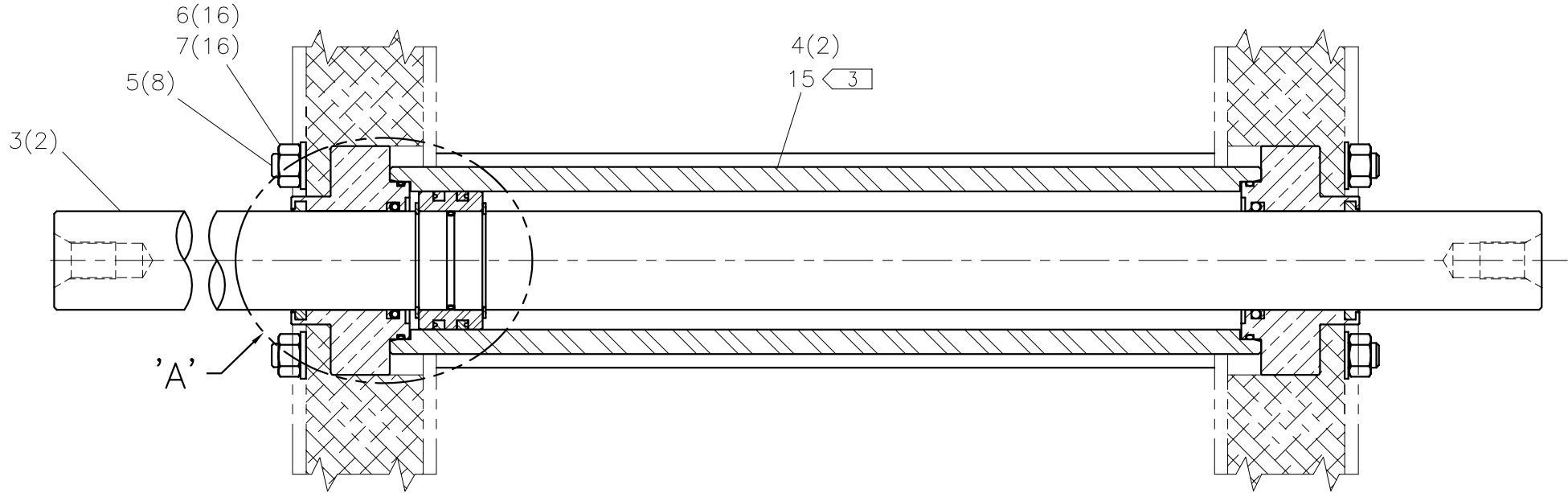




McElroy Manufacturing, Inc.
 The leader by design.
 Tulsa, Oklahoma U.S.A.

DRAWN: BWW	CHECK: BWJ	APPRVD: JRP	DATE: 05/29/03	DWG No: T9000500	SHT No: 3	REV No: B	PART No: T9000503
TracStar®900 LOW FORCE CYLINDER ASSEMBLY SET							CAD No: T9000503

NOTE: THIS DRAWING AND THE INFORMATION CONTAINED THEREIN IS THE CONFIDENTIAL AND PROPRIETARY PROPERTY OF McElroy Manufacturing, Inc. THE DRAWING IS NOT TO BE REPRODUCED IN ANY MANNER, SUBMITTED OUTSIDE PARTIES FOR EXAMINATION, OR USED DIRECTLY OR INDIRECTLY FOR THE PURPOSES OTHER THAN THOSE FOR WHICH IT WAS FURNISHED WITHOUT WRITTEN PERMISSION OF McElroy Manufacturing, Inc.



DETAIL 'A'

NOTES:

1. TOTAL EFFECTIVE PISTON AREA = 9.43 SQ. IN.
2. THESE ITEMS ARE PART OF PART NUMBER A3630001 SEAL KIT.
3. ATTACH TO THE OUTSIDE OF OPERATOR SIDE CARRIAGE CYLINDER.
4. ITEMS SHOWN IN PARENTHESIS REFLECT QUANTITIES IN A LOCAL GROUP AND MAY NOT INDICATE TOTAL ASSEMBLY QUANTITIES.

TracStar® 900 LOW FORCE CYLINDER ASSEMBLY SETParts List

ITEM	PART NO.	QTY.	DESCRIPTION
	T9000503		ASSEMBLY
1	2413602	4	MEDIUM FORCE HYDRAULIC CYLINDER ROD GLAND
2	2419302	2	LOW FORCE PISTON
3	T9002701	2	GUIDE ROD
4	T9002903	2	LOW FORCE CARRIAGE CYLINDER
5	T9002801	8	TIE ROD
6	MBA00031	16	5/8-18NF FINISHED HEX NUT
7	MBG00003	16	5/8 TYPE 'AN' WASHER
8	MCB00015	4	EXTERNAL SNAP RING
9	MDL00011	4	O-RING
10	MDL00007	2	O-RING
11	MDL00155	4	SEAL
12	MDL00037	4	WASHER
13	MDL00036	4	SEAL
14	MDL00038	4	SEAL
15	816373	1	9.43 SQ. IN. TEPA LABEL

DRAWING REVISION HISTORY LISTING

PART NO: T9000503

DESCRIPTION: TracStar® 900 LOW FORCE CYLINDER ASSEMBLY SET

<u>APPR.</u>	<u>REV</u>	<u>DATE</u>	<u>BY</u>	<u>DESCRIPTION OF REVISION</u>
SWB	A	03/24/05	JAB	CORRECTED ITEM #12 FROM 816337 TO 816373.
SWB	B	10/05/05	BWW	REVISED TO ADD DETAIL A, REMOVED OLD NOTE 4 PER STANDARDS AND ADDED NEW NOTE 4 FOR CLARITY. RENUMBERED ITEMS FOR CONSISTENCY AND ADDED ITEM QUANTITIES TO MATCH CURRENT STANDARDS. ADDED NEW ITEM 5 T9002801 QTY 8, ITEM 6 MBA00031 QTY 16 AND ITEM 7 MBG00003 QTY 16 FOR CONSISTENCY WITH OTHER CYLINDER ASSEMBLY SETS.