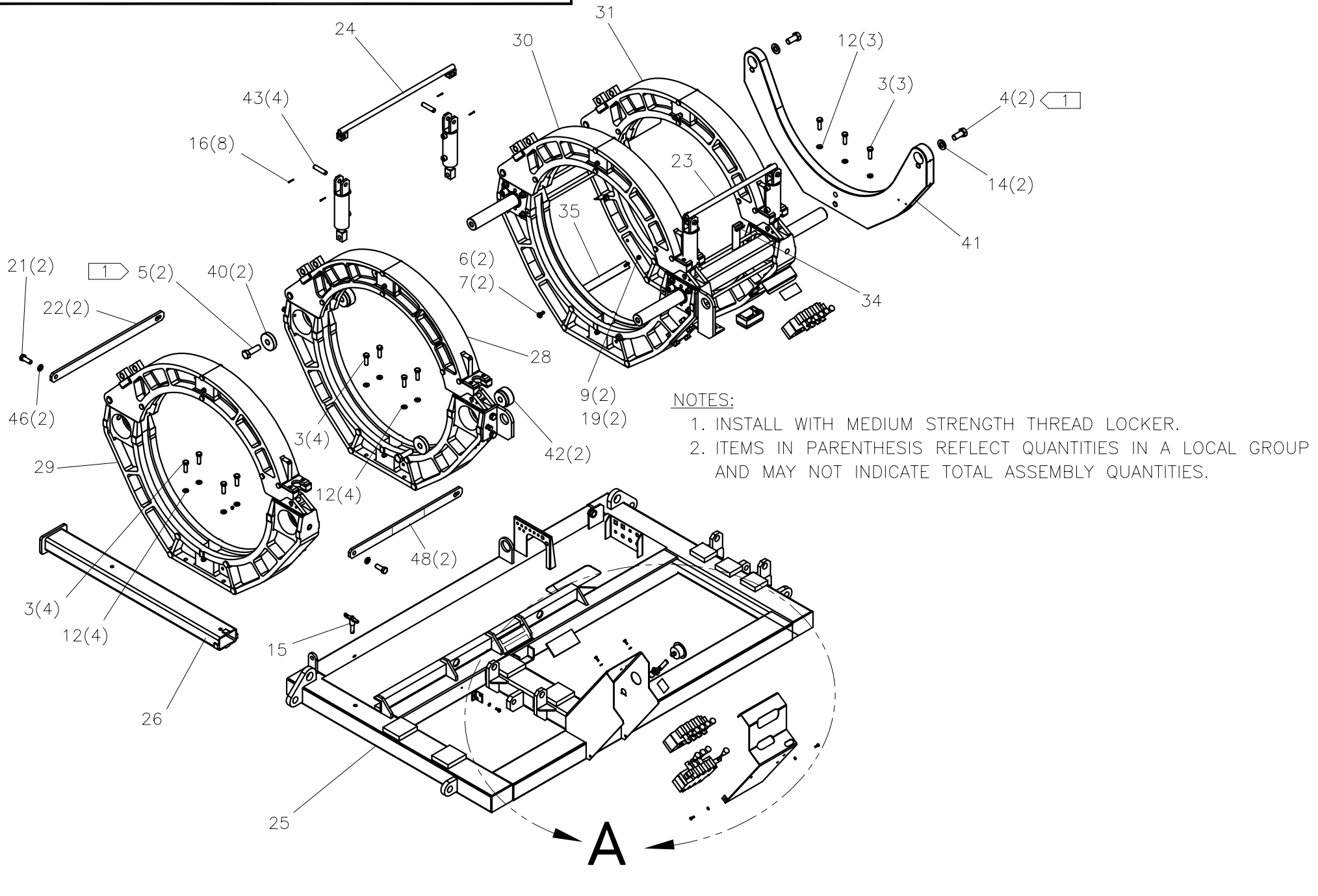




McElroy Manufacturing, Inc.
 The leader by design.
 Tulsa, Oklahoma U.S.A.

DRAWN: RLE	CHECK: DWP	APPRV'D: JRP	DATE: 03/27/00	DWG No: T9000400	SHT No: 1A	REV No: F	PART No: T9000401
TracStar® 900 CARRIAGE ASSEMBLY							CAD No: T9000401

NOTE: THIS DRAWING AND THE INFORMATION CONTAINED THEREIN IS THE CONFIDENTIAL AND PROPRIETARY PROPERTY OF McElroy Manufacturing, Inc. THE DRAWING IS NOT TO BE REPRODUCED IN ANY MANNER, SUBMITTED OUTSIDE PARTIES FOR EXAMINATION, OR USED DIRECTLY OR INDIRECTLY FOR THE PURPOSES OTHER THAN THOSE FOR WHICH IT WAS FURNISHED WITHOUT WRITTEN PERMISSION OF McElroy Manufacturing, Inc.



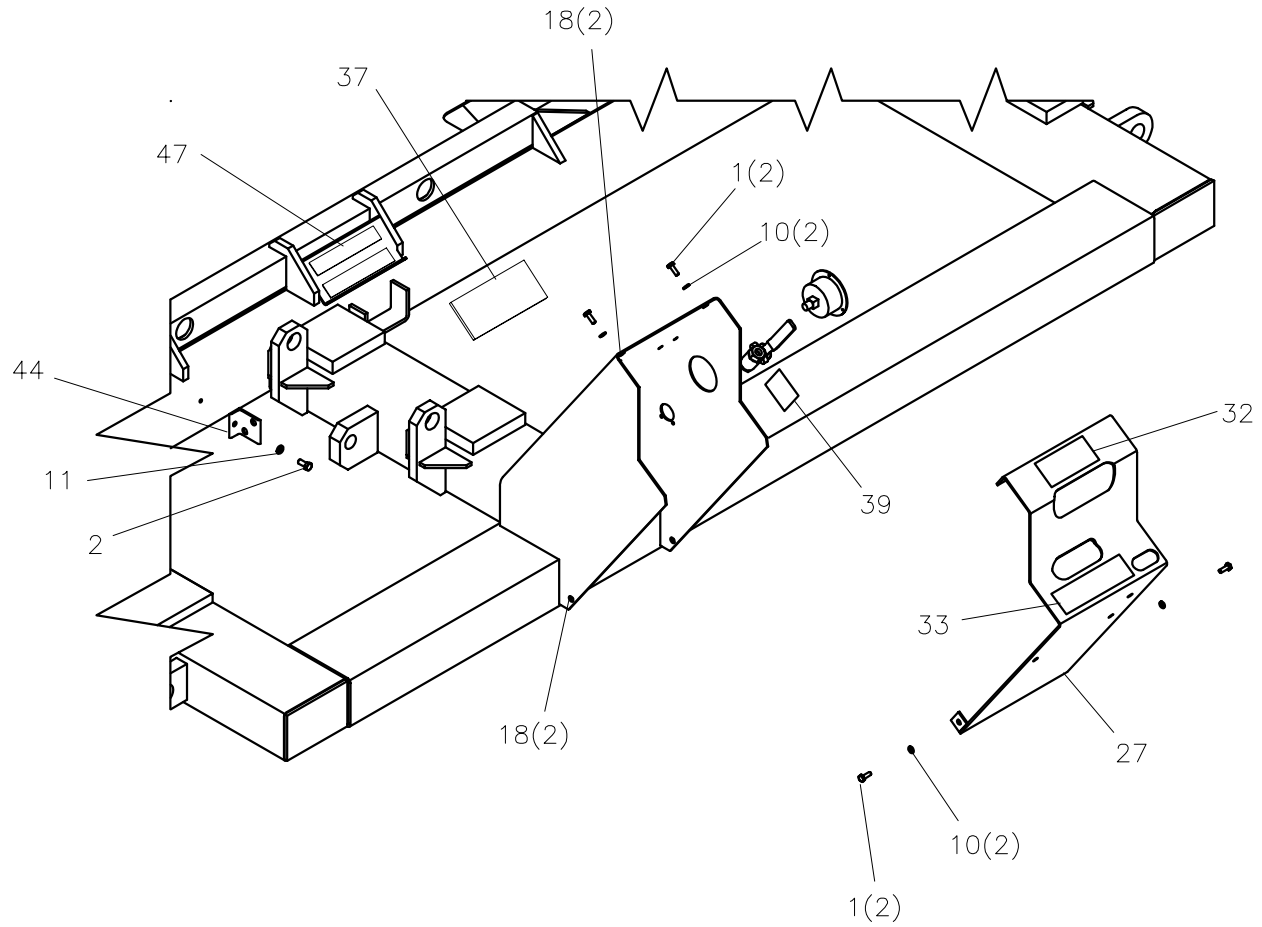
- NOTES:
1. INSTALL WITH MEDIUM STRENGTH THREAD LOCKER.
 2. ITEMS IN PARENTHESIS REFLECT QUANTITIES IN A LOCAL GROUP AND MAY NOT INDICATE TOTAL ASSEMBLY QUANTITIES.



McElroy Manufacturing, Inc.
The leader by design.
Tulsa, Oklahoma U.S.A.

DRAWN: RLE	CHECK: DWP	APPRV'D: JRP	DATE: 03/27/00	DWG No: T9000400	SHT No: 1B	REV No: F	PART No: T9000401
TracStar® 900 CARRIAGE ASSEMBLY							CAD No: T9000401

NOTE: THIS DRAWING AND THE INFORMATION CONTAINED THEREIN IS THE CONFIDENTIAL AND PROPRIETARY PROPERTY OF McElroy Manufacturing, Inc. THE DRAWING IS NOT TO BE REPRODUCED IN ANY MANNER, SUBMITTED OUTSIDE PARTIES FOR EXAMINATION, OR USED DIRECTLY OR INDIRECTLY FOR THE PURPOSES OTHER THAN THOSE FOR WHICH IT WAS FURNISHED WITHOUT WRITTEN PERMISSION OF McElroy Manufacturing, Inc.



DETAIL A

TracStar® 900 CARRIAGE ASSEMBLYParts List

ITEM	PART NO.	QTY.	DESCRIPTION
	T9000401		ASSEMBLY
1	MAB00003	4	1/4-20NC X 3/4 LG HHCS
2	MAB00032	1	5/16-18NC X 3/4 LG HHCS
3	MAB00118	11	5/8-11NC X 2" LG HHCS
4	MAB00149	2	1-8NC X 2-1/4 LG HHCS
5	MAB00153	2	1-8NC X 3-1/2 LG HHCS
6	MAB00067	2	3/8-16NC X 1 3/4 LG HHCS
7	MBA00007	2	3/8-16NC FINISH HEX NUT
8			
9	MBE00007	2	3/8 REGULAR SPLIT LOCK WASHER
10	MBE00005	4	1/4" REGULAR SPLIT LOCK WASHER
11	MBE00006	1	5/16" REGULAR SPLIT LOCK WASHER
12	MBE00011	11	5/8" REGULAR SPLIT LOCK WASHER
13			
14	MBG00011	2	1" FLAT WASHER
15	MCE00033	1	5/8 DIA X 1-1/2 GRIP DETENT PIN
16	MCH00004	8	1/8 DIA X 1-1/4 LG COTTER PIN
17			
18	MJM00030	4	THREADED INSERT
19	MBF00007	2	3/8 TYPE 'A' WIDE FLAT WASHER
20			
21	MAB00123	2	3/4-10NC X 2" LG HHCS
22	T9003101	2	FIXED JAW BRACE WELDMENT
23	T9003201	1	MOVEABLE JAW CLAMP CYLINDER HANDLE WELDMENT
24	T9003301	1	FIXED JAW CLAMP CYLINDER HANDLE WELDMENT
25	T9003824	1	CARRIAGE SKID
26	T9005101	1	CARRIAGE OUTRIGGER WELDMENT
27	T9005201	1	VALVE MOUNT BRACKET COVER
28	T9008501	1	T900 INNER FIXED JAW ASSEMBLY
29	T9008601	1	T900 OUTER FIXED JAW ASSEMBLY
30	T9008701	1	T900 INNER MOVEABLE JAW ASSEMBLY
31	T9008801	1	T900 OUTER MOVEABLE JAW ASSEMBLY
32	T9011201	1	JAW VALVE LABEL
33	T9011301	1	INDEXER VALVE LABEL
34	T9016101	1	REMOTE CLIP
35	T9019301	1	HOSE RETENTION STRAP
36			
37	T9016502	1	MIRROR
38			
39	T9017001	1	INDEXER LOCK LABEL
40	T9017101	2	GUIDE ROD/TIE BAR SPACER
41	3602802	1	GUIDE ROD SUPPORT PLATE

TracStar® 900 CARRIAGE ASSEMBLYParts List

ITEM	PART NO.	QTY.	DESCRIPTION
42	3606401	2	GUIDE ROD RETAINER
43	3617101	4	CYLINDER ROD CLEVIS PIN
44	4826801	1	REAR PIPE LIFT CLIP
45			
46	MBE00012	2	3/4" REGULAR SPLIT LOCK WASHER
47	MJU00002	1FT	VHB TAPE
48	8163119	2	MEDIUM McELROY BRANDING LABEL

DRAWING REVISION HISTORY LISTING

PART NO: T9000401
DESCRIPTION: TracStar 900 CARRIAGE ASSEMBLY

<u>APPR.</u>	<u>REV</u>	<u>DATE</u>	<u>BY</u>	<u>DESCRIPTION OF REVISION</u>
SWB	A	07/27/00	TLW	REVISED ITEM #21 T9003001 TIE BAR CLAMP KNOB ASSEMBLY TO 3/4-10NC HHCS MAB00123 AND LOCK WASHER MBE00012 TO REDUCE POSSIBILITY OF BENDING KNOB SHAFT. SEE PCR99050. ALSO REVISED ITEM T9003101 FIX JAW BRACE WELDMENT TO ACCOMIDATE ABOVE CHANGE. EFFECTIVE ON MACHINES SHIPPED AFTER SERIAL NUMBER C00529.
TLW	----	8/17/00	MLM	REVISED ITEM #25 WAS T9003801 CHANGED TO T9003824. SEPARATED MACHINE AND WELDMENT DWG.
BWJ	B	01/12/01	MLM	REMOVED ITEMS#6(MAH00174), ITEM#7(MAL00007), ITEM#9(MBE00004), ITEM#35(T9016301), ITEM#36 (T9016401), ITEM#38(T9016601). REPLACED ITEM#37(T9016501) WITH T9016502 MIRROR. CHANGED QTY OF ITEM#18 FROM 2 TO 4. ADDED ITEM#47(VHB TAPE) CHANGES DUE TO REDESIGNING MIRROR MOUNTING BRACKET AND HARDWARE.
BWJ	C	6/5/03	ALK	REVISED TO REMOVE ITEM-19 T500 PENDANT ARM ASSEMBLY & ITEM-45 MAB00033, REVISE QTY. OF ITEM-11 FROM 5 TO 1. PENDANT ARM MOVED TO ALLOW THE SAME CARRIAGE ASSEMBLY TO BE USED FOR MACHINES WITH OR WITHOUT THE COACH.
BWJ	D	10/06/03	BWW	REVISED TO REMOVE ITEM 17 MJG00001 WHICH WAS MOVED TO AT9000401. ADDED THE FOLLOWING NEW ITEMS, 6 MAB00067 QTY 2, 7 MBA00007 QTY 2, 9 MBE00007 QTY 2, 19 MBF00007 QTY 2 AND 35 T9019301 QTY 1. PARTS ADDED TO KEEP MOVEABLE JAW HOSE LOOP FROM GETTING TRAPPED UNDER JAW.
SWB	E	01/11/05	BWW	REVISED TO ADD ITEM 48 8163119 QTY (2) MEDIUM BRANDING LABEL.
SWB	F	10/05/05	BWW	REVISED TO REMOVE ITEM 8 MBA00031, ITEM 13 MBG00003 AND ITEM 20 T9002801 WHICH ARE NOW CALLED OUT ON THE CYLINDER ASSEMBLIES FOR CONSISTENCY. MOVED NOTE 1 TO DRAWING FACE AND ADDED NOTE 2 FOR CLARITY.