



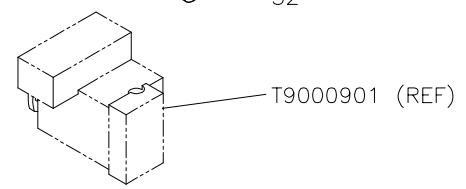
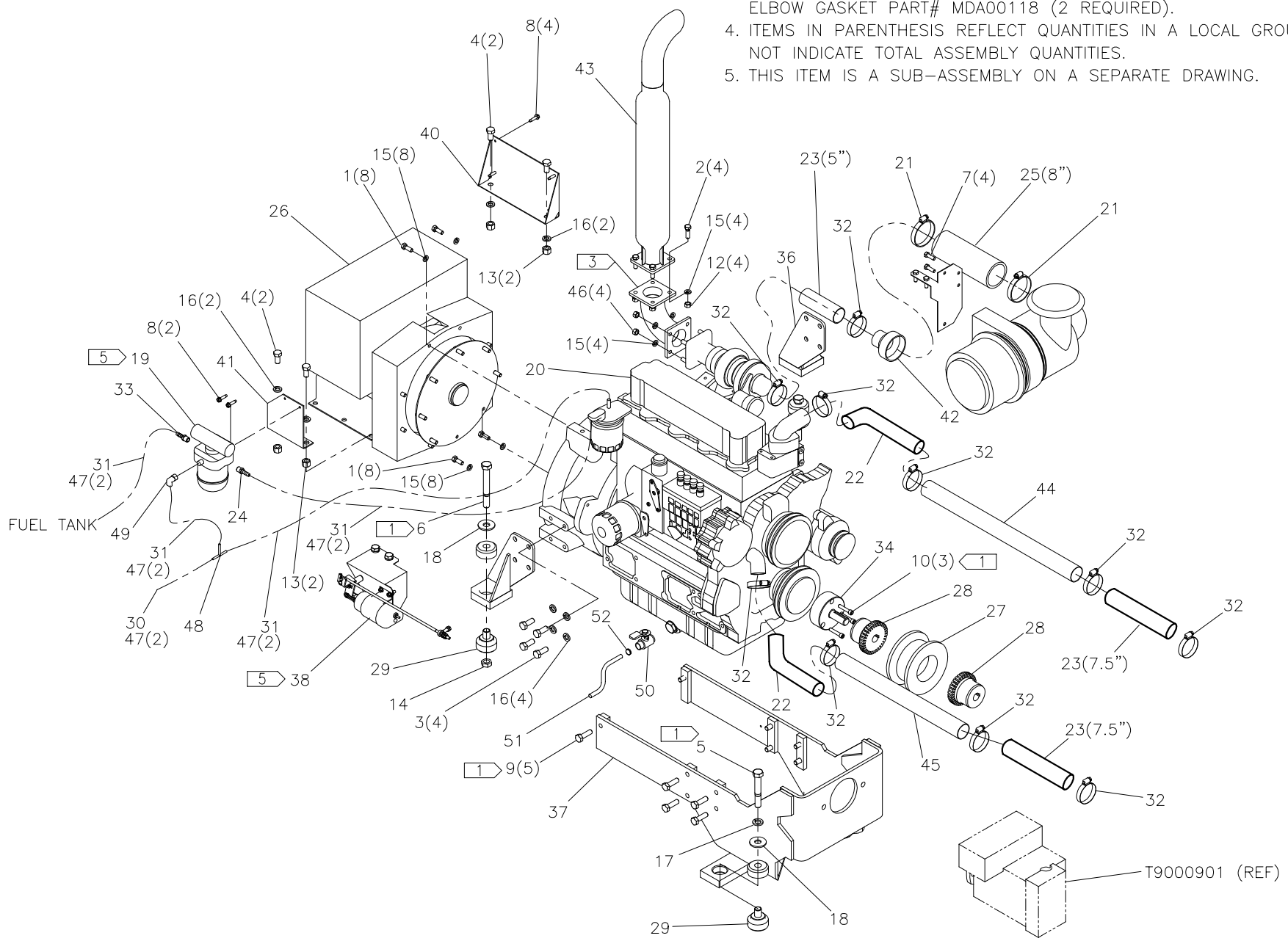
**McElroy Manufacturing, Inc.**  
 The leader by design.  
 Tulsa, Oklahoma U.S.A.

DRAWN: BWW	CHECK: TLW	APPR'VD: JRP	DATE: 3/24/00	DWG No: T9000300	SHT No: 1	REV No: E	PART No: T9000301
TracStar® 900 DIESEL POWER PACK ASSEMBLY							CAD No: T9000301

NOTE: THIS DRAWING AND THE INFORMATION CONTAINED THEREIN IS THE CONFIDENTIAL AND PROPRIETARY PROPERTY OF McElroy Manufacturing, Inc. THE DRAWING IS NOT TO BE REPRODUCED IN ANY MANNER, SUBMITTED OUTSIDE PARTIES FOR EXAMINATION, OR USED DIRECTLY OR INDIRECTLY FOR THE PURPOSES OTHER THAN THOSE FOR WHICH IT WAS FURNISHED WITHOUT WRITTEN PERMISSION OF McElroy Manufacturing, Inc.

**NOTES:**

1. INSTALL WITH MEDIUM STRENGTH THREAD LOCKER.
2. REPLACEMENT PARTS FOR KUBOTA ENGINE MUST BE ORDERED DIRECTLY FROM A KUBOTA DEALER. SPECIFY ENGINE MODEL #V3300-T.
3. EXHAUST ELBOW MAY BE PURCHASED USING PART# MDA00117 & ELBOW GASKET PART# MDA00118 (2 REQUIRED).
4. ITEMS IN PARENTHESIS REFLECT QUANTITIES IN A LOCAL GROUP AND MAY NOT INDICATE TOTAL ASSEMBLY QUANTITIES.
5. THIS ITEM IS A SUB-ASSEMBLY ON A SEPARATE DRAWING.



**TracStar® 900 DIESEL POWER PACK ASSEMBLY**Parts List

ITEM	PART NO.	QTY.	DESCRIPTION
	<b>T9000301</b>		<b>ASSEMBLY</b>
1	MAB00064	20	3/8-16NC X 1 LG HHCS
2	MAB00065	4	3/8-16NC X 1-1/4 LG HHCS
3	MAB00081	8	1/2-13NC X 1-1/4 LG HHCS
4	MAB00080	4	1/2-13NC X 1 LG HHCS
5	MAB00150	2	5/8-11NC X 4 LG HHCS
6	MAB00151	2	5/8-11NC X 5 LG HHCS
7	MAH00114	4	M8X1.25 X 20MM LG HHCS
8	MAL00007	6	1/4-20NC X 3/4 LG HWH TF SCREW
9	MAR00017	10	M12-1.25 X 40MM HHCS
10	MAR00018	3	M8-1.25 X 40MM SHCS
11	MBA00006	2	5/16-18NC FINISH HEX NUT
12	MBA00007	4	3/8-16NC FINISH HEX NUT
13	MBA00009	2	1/2-13NC FINISH HEX NUT
14	MBA00011	2	5/8-11NC FINISH HEX NUT
15	MBE00007	24	3/8 REGULAR SPLIT LOCK WASHER
16	MBE00009	20	1/2 REGULAR SPLIT LOCK WASHER
17	MBE00011	2	5/8 REGULAR SPLIT LOCK WASHER
18	MBF00011	4	5/8 TYPE 'A' WIDE FLAT WASHER
19	T9017201	1	FUEL PUMP/HEATER FILTER MODIFICATION ASSEMBLY
20	MDA00075	1	DIESEL ENGINE
21	MHA00013	2	2-13/16 TO 3-3/4 HOSE CLAMP
22	MDA00079	2	RADIATOR HOSE ELBOW
23	MDA00080	1.7FT.	1-3/4" RADIATOR HOSE
24	MHB00006	1	4MPT X 1/4 HOSE BARB FITTING
25	MDA00082	.7FT.	3" COOLANT HOSE
26	MDC00025	1	22KW ALTERNATOR
27	MDJ00051	1	COUPLING COVER & GRID
28	T9017301	2	HUB MODIFICATION
29	MDS00004	4	SHOCK MOUNT
30	MHA00044	6FT.	3/16 ID X 7/16 OD SAE30R7 FUELHOSE
31	MHA00045	6FT.	5/16 ID X 9/16 OD SAE30R9 FUELHOSE
32	MHA00047	10	1-13/16 TO 2-3/4 HOSE CLAMP
33	MHC00048	1	4MPT X 5/16 HOSE BARB FITTING
34	T9006001	1	PUMP STUB SHAFT
35	T9006101	1	RIGHT REAR ENGINE MOUNT
36	T9006102	1	LEFT REAR ENGINE MOUNT
37	T9006201	1	FRONT ENGINE MOUNT
38	T9006501	1	TracStar® 900 THROTTLE LINK ASSY

**TracStar® 900 DIESEL POWER PACK ASSEMBLY**

Parts List

ITEM	PART NO.	QTY.	DESCRIPTION
39	T9006601	1	AIR CLEANER BRACKET WELDMENT
40	T9007201	1	HEATER FUSE BOX BRACKET WELDMENT
41	T9011901	1	FILTER BRACKET
42	T9012201	1	AIR HOSE ADAPTER
43	T9014501	1	MUFFLER WELDMENT
44	T9014801	1	UPPER RADIATOR TUBE
45	T9014901	1	LOWER RADIATOR TUBE
46	MBA00065	4	M10-1.25 HEX NUT
47	MHA00012	10	HOSE CLAMP
48	MFE00057	1	3/16 X 3/16 X 3/16 HOSE BARB TEE NYLON
49	MFA00198	1	2MPT/HOSE ELBOW BARB
50	MEI00016	1	BALL VALVE
51	MHA00002	3FT.	1/2 ID x 5/8 OD CLEAR TUBING
52	MFD00044	1	3/8 HOSE CLAMP

## DRAWING REVISION HISTORY LISTING

**PART NO:** T9000301  
**DESCRIPTION:** TracStar® 900 DIESEL POWER PACK ASSEMBLY

<u>APPR.</u>	<u>REV</u>	<u>DATE</u>	<u>BY</u>	<u>DESCRIPTION OF REVISION</u>
DWP	A	5/18/00	BWW	REVISED DRAWING TO CHANGE ITEM #19 FROM MDA00073 TO MDA00088. ADDED ITEMS 48, MFE00057 AND 49, MFA00198. CHANGED QTY ON ITEM 47 FROM 6 TO 11. ADDED NEW FILTER/PUMP DESIGN.
TLW	B	5/25/00	BWW	REVISED ITEM #19 FROM MDA00088 TO T9017201. MDA00088 IS A COMPONENT OF T9017201 MODIFICATION ASSEMBLY.
TLW	----	6/29/00	PB	ADDED NOTE #2 FOR REPLACEMENT ENGINE PARTS.
TLW	---	8/22/00	BWW	CORRECTED ITEM #28 MDJ00052 TO T9017301 HUB MODIFICATION.
LAA	C	10/16/02	RLE	ADDED MEI00016 QTY.(1), MHA00002 QTY. (3FT) & MDF00044 QTY. (1) FOR CUSTOMER CONVENIENCE.
SWB	D	05/17/04	BWW	REVISED TO ADD NOTE 3 FOR REPLACEMENT EXHAUST ELBOW AND GASKET.
SWB	E	09/13/05	BWW	CREATED FULLY EXPLODED ISOMETRIC VIEW AND MOVED NOTES TO FACE OF DRAWING. ADDED NOTES 4 AND 5 AND UPDATED NOTE 1 TO CURRENT STANDARD. CHANGES MADE FOR CLARITY. REVISED QTY OF ITEM 17 MBE00011 FROM 4 TO 2, ITEM 23 MDA00080 FROM 1 FT. TO 1.7FT AND ITEM 47 MHA00012 FROM 11 TO 10 TO MATCH AS BUILT CONDITION. UPDATED DESCRIPTION OF ITEM 39 T9006601 TO SHOW NEW WELDMENT AND UPDATED LENGTH CALLOUTS FOR HOSES TO BE FT. INSTEAD OF INCHES PER STANDARDS.