



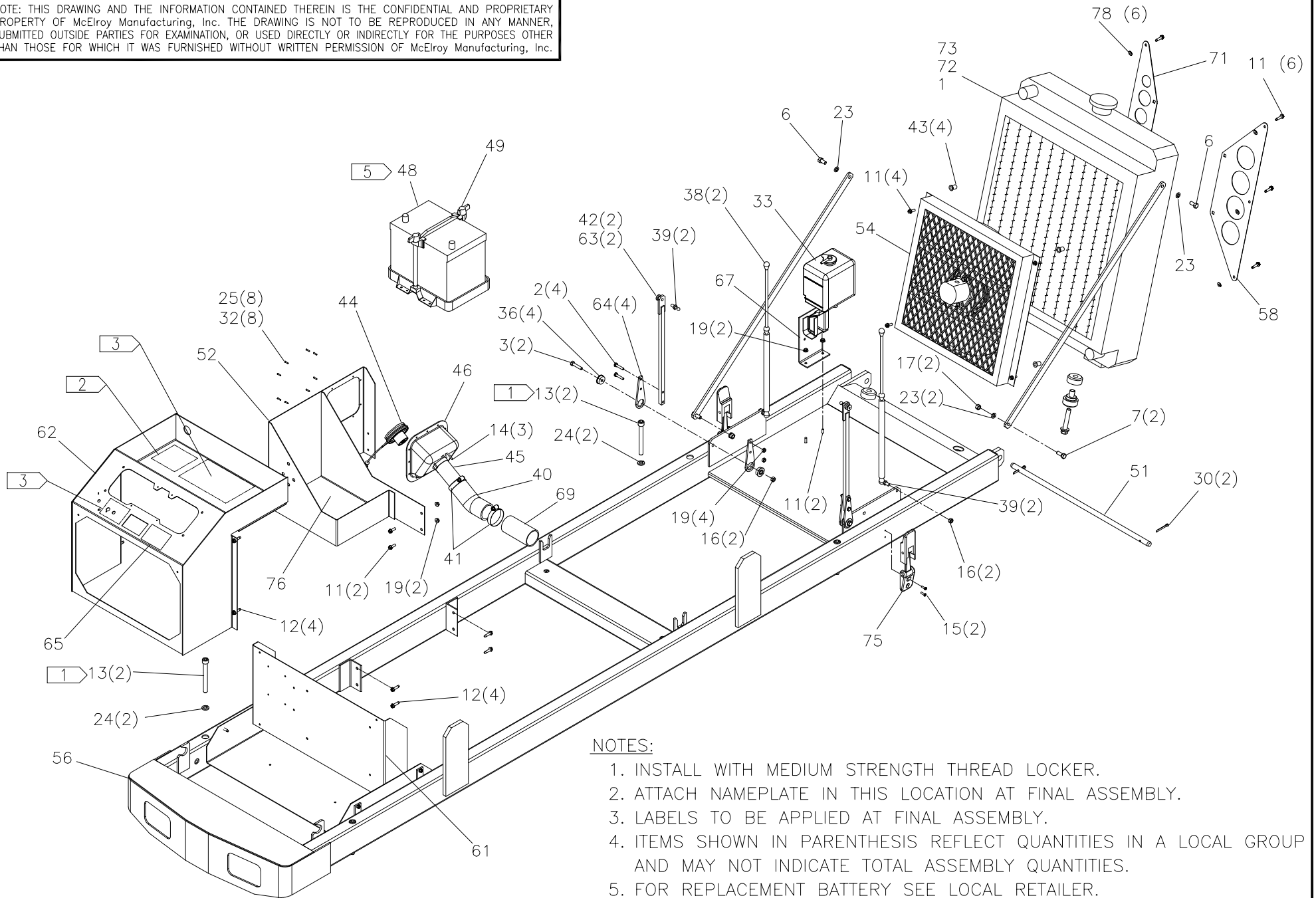
McElroy Manufacturing, Inc.

The leader by design.

Tulsa, Oklahoma U.S.A.

DRAWN: DJL	CHECK: DWP	APPRV'D: JRP	DATE: 03/22/00	DWG No: T9000200	SHT No: 1A	REV No: K	PART No: T9000201
TracStar® 900 VEHICLE CHASSIS ASSEMBLY							CAD No: T9000201

NOTE: THIS DRAWING AND THE INFORMATION CONTAINED THEREIN IS THE CONFIDENTIAL AND PROPRIETARY PROPERTY OF McElroy Manufacturing, Inc. THE DRAWING IS NOT TO BE REPRODUCED IN ANY MANNER, SUBMITTED OUTSIDE PARTIES FOR EXAMINATION, OR USED DIRECTLY OR INDIRECTLY FOR THE PURPOSES OTHER THAN THOSE FOR WHICH IT WAS FURNISHED WITHOUT WRITTEN PERMISSION OF McElroy Manufacturing, Inc.



NOTES:

1. INSTALL WITH MEDIUM STRENGTH THREAD LOCKER.
2. ATTACH NAMEPLATE IN THIS LOCATION AT FINAL ASSEMBLY.
3. LABELS TO BE APPLIED AT FINAL ASSEMBLY.
4. ITEMS SHOWN IN PARENTHESIS REFLECT QUANTITIES IN A LOCAL GROUP AND MAY NOT INDICATE TOTAL ASSEMBLY QUANTITIES.
5. FOR REPLACEMENT BATTERY SEE LOCAL RETAILER.



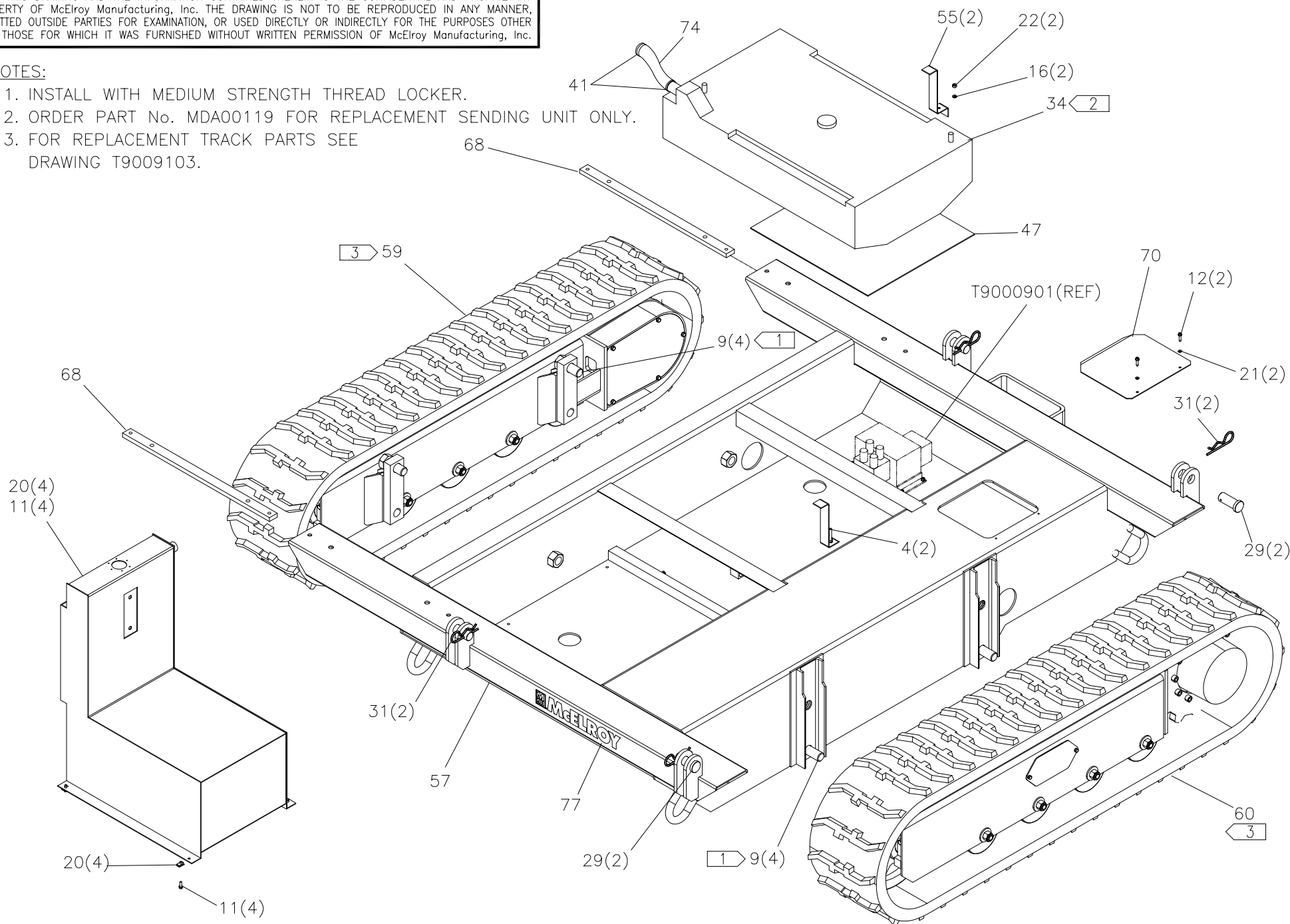
McElroy Manufacturing, Inc.
 The leader by design.
 Tulsa, Oklahoma U.S.A.

DRAWN: DJL	CHECK: DWP	APPRV'D: JRP	DATE: 03/22/00	DWG No: T9000200	SHT No: 1B	REV No: K	PART No: T9000201
TracStar® 900 VEHICLE CHASSIS ASSEMBLY							CAD No: T9000201

NOTE: THIS DRAWING AND THE INFORMATION CONTAINED THEREIN IS THE CONFIDENTIAL AND PROPRIETARY PROPERTY OF McElroy Manufacturing, Inc. THE DRAWING IS NOT TO BE REPRODUCED IN ANY MANNER, SUBMITTED OUTSIDE PARTIES FOR EXAMINATION, OR USED DIRECTLY OR INDIRECTLY FOR THE PURPOSES OTHER THAN THOSE FOR WHICH IT WAS FURNISHED WITHOUT WRITTEN PERMISSION OF McElroy Manufacturing, Inc.

NOTES:

1. INSTALL WITH MEDIUM STRENGTH THREAD LOCKER.
2. ORDER PART No. MDA00119 FOR REPLACEMENT SENDING UNIT ONLY.
3. FOR REPLACEMENT TRACK PARTS SEE DRAWING T9009103.



TracStar® 900 VEHICLE CHASSIS ASSEMBLY

Parts List

ITEM	PART NO.	QTY.	DESCRIPTION
	T9000201		ASSEMBLY
1	HAABAB018	1	HOSE ASSY OAL 18"
2	MAB00005	4	1/4-20NC x 1-1/4 LG HHCS
3	MAB00035	2	5/16-18NC x 1-1/2 LG HHCS
4	MAB00037	2	5/16-18NC x 2" LG HHCS
5			
6	MAB00063	2	3/8-16NC x 3/4 LG HHCS
7	MAB00064	2	3/8-16NC x 1" LG HHCS
8	MAB00109	2	1/2-13NC x 3" LG HHCS
9	MAB00148	8	1-1/4-7NC x 3" LG HHCS
10	MAB00150	2	5/8-11NC x 4" LG HHCS
11	MAH00172	20	1/4-20NC x 3/4 LG HWHSMS
12	MAL00007	14	1/4-20NC x 3/4 LG HWH TF SCREW
13	MAN00019	4	1/2-13NC x 4-1/2 LG SHCS
14	MAP00001	3	#6 x 3/4 LG RHPSMS
15	MAH00003	4	#10-24NC x 5/8 LG PHPMS
16	MBA00006	6	5/16-18NC FINISHED HEX NUT
17	MBA00007	2	3/8-16NC FINISHED HEX NUT
18	MBA00009	2	1/2-13NC FINISHED HEX NUT
19	MBC00053	8	1/4-20NC PREVAILING TORQUE FLANGE LOCK NUT
20	MBC00054	8	1/4-20NC PREVAILING TORQUE FLANGE LOCK NUT
21	MBE00005	2	1/4 REGULAR SPLIT LOCK WASHER
22	MBE00006	2	5/16 REGULAR SPLIT LOCK WSHR
23	MBE00007	4	3/8 REGULAR SPLIT LOCK WSHR
24	MBE00009	6	1/2 REGULAR SPLIT LOCK WASHER
25	MBF00002	8	#6 TYPE 'A' FLAT WASHER
26			
27	MBF00011	2	5/8 TYPE 'A' WIDE FLAT WASHER
28	MBG00017	2	1/2 TYPE 'A' NARROW SAE FLAT WASHER
29	MCF00027	4	1-1/4 DIA x 2-1/2 GRIP CLEVIS PIN
30	MCH00003	2	3/16 DIA x 1-1/2 LG COTTER PIN
31	MCH00016	4	1-1/8 DIA x 5" LG HAIR PIN
32	MCK00008	8	1/8 DIA x 1/2 GRIP BLIND RIVET
33	MDA00052	1	COOLANT TANK
34	MDA00076	1	FUEL TANK W/SENDING UNIT
35	MDA00078	1	FAN
36	MDM00290	4	BALL BEARING
37	MDS00001	2	SHOCK MOUNT
38	MGA00045	2	GAS SPRING
39	MGF00061	4	MOUNTING STUD
40	MHA00046	1	2 ID FUEL FILL HOSE
41	MHA00047	4	1-13/16 TO 2-3/4 HOSE CLAMP

TracStar® 900 VEHICLE CHASSIS ASSEMBLY

Parts List

ITEM	PART NO.	QTY.	DESCRIPTION
42	MJD00029	2	HOOD CABLE
43	MJM00030	4	THREADED INSERT
44	MJQ00337	1	FUEL CAP
45	MJQ00338	1	FUEL FILL NECK
46	MJQ00339	1	FUEL FILL BEZEL
47	MJQ00353	1	1/8x20x22 NEOPRENE
48	MKG00017	1	12V, 900CCA BATTERY
49	MLN00411	1	BATTERY HOLD DOWN TRAY
50			
51	T9006801	1	REAR HOOD PIVOT SHAFT
52	T9007101	1	BATTERY BRACKET WELDMENT
53	T9008001	2	RADIATOR BRACE
54	T9008101	1	FAN MOUNT BRACKET/GUARD WELDMENT
55	T9008201	2	FUEL TANK HOLD DOWN BRACKET
56	T9008301	1	ENGINE BASE WELDMENT
57	T9008401	1	CHASSIS WELDMENT
58	T9018501	1	LEFT OIL COOLER BRACKET
59	T9009101	1	RIGHT TRACK WELDMENT
60	T9009201	1	LEFT TRACK WELDMENT
61	T9009501	1	CONTROL PLATFORM
62	T9009601	1	CONTROL PANEL WELDMENT
63	T9010101	2	HOOD PIVOT LINK WELDMENT
64	T9010201	4	LINK BEARING PLATE
65	T9011401	1	MANUAL TRACK CONTROL LABEL
66			
67	T9012001	1	COOLANT TANK BRACKET WELDMENT
68	T9012301	2	ENGINE BASE NUT PLATE
69	T9015101	1	FUEL FILL ADAPTER
70	T9016901	1	ACCESS COVER
71	T9018601	1	RIGHT OIL COOLER BRACKET
72	MFA00007	1	4MPT PLUG
73	MFA00037	1	4FPT/4FPT COUPLING
74	MDA00081	1	1-1/2 ID FUEL HOSE
75	MJQ00341	2	HOOD LATCH ASSEMBLY WITH KEEPER
76	MJU00001	1	1/2 WIDE, 45MIL VHB TAPE
77	8163120	1	LARGE McELROY BRANDING LABEL
78	T9024701	6	RADIATOR GUARD SPACER

DRAWING REVISION HISTORY LISTING

PART NO: T9000201

DESCRIPTION: TracStar 900 VEHICLE CHASSIS ASSEMBLY

<u>APPR.</u>	<u>REV</u>	<u>DATE</u>	<u>BY</u>	<u>DESCRIPTION OF REVISION</u>
DWP	A	5/17/00	BWW	REVISED PG. 1B TO REMOVE ITEM 71 AND QTY(2) OF ITEM 20 & 11 CHANGED ITEM 74 FROM MHA00043 TO MDA00081.
BWJ	B	1/10/01	RLE	REVISED ITEM #29 MCF00026 TO MCF00027.
SWB	--	02/01/02	BWW	ADDED "ASSEMBLY WITH KEEPER" TO ITEM 75 HOOD LATCH DESCRIPTION TO CLARIFY THAT LATCH & KEEPER ARE PURCHASED TOGETHER.
SWB	C	3/11/03	BWW	REVISED TO REMOVE ITEM 50 841201 NAME PLATE AND ADD NOTE 2 FOR ATTACHMENT OF NAMEPLATE AT FINAL ASSEMBLY WITH POP RIVETS.
BWJ	D	7/21/03	ALK	REVISED TO REMOVE ITEM #66 AND ADD NOTE 3. TO ALLOW ASSEMBLY TO BE USED ON MACHINES WITH & WITHOUT COACH.
BWJ	E	8/20/03	RLE	REVISED T9008901 QTY. (2) TO T9018501 QTY. (1) & ADDED T9018601 QTY. (1) TO ACCOMODATE NEW OIL COOLER.
BWJ	F	9/5/03	ALK	CORRECTED QTY. OF ITEM #75 FROM 1 TO 2 TO MATCH AS BUILT.
SWB	G	01/11/05	BWW	REVISED TO ADD ITEM 77 8163120 QTY (1) TO SHT 1B FOR LARGE BRANDING LABEL.
SWB	H	02/09/05	JAB	ADDED NOTE 4 FOR REPLACEMENT FUEL TANK SENDING UNIT.
SWB	J	10/13/05	BWW	REVISED TO MORE FULLY EXPLODE ASSEMBLY, MOVE NOTES TO FACE OF DRAWING AND ADD NEW NOTE 4 AND 5 ON SHT 1A FOR CLARITY. REMOVED ITEM 5 MAB00042 AND ITEM 26 MBF00007 AND CHANGED QTY OF ITEM 7 MAB00064 FROM 6 TO 2 AND ITEM 23 MBE00007 FROM 8 TO 4 TO MATCH AS BUILT CONDITION. ADDED NOTE 3 TO SHT 1B FOR ORDERING REPLACEMENT TRACK PARTS.
SPA	K	03/24/06	JAB	REVISED TO CHANGE QTY OF ITEM 11 (MAH00172) FROM (14) TO (20) & ADDED ITEM 78 (T9024701) DUE TO VENDORS CHANGE ON RADIATOR GUARD.