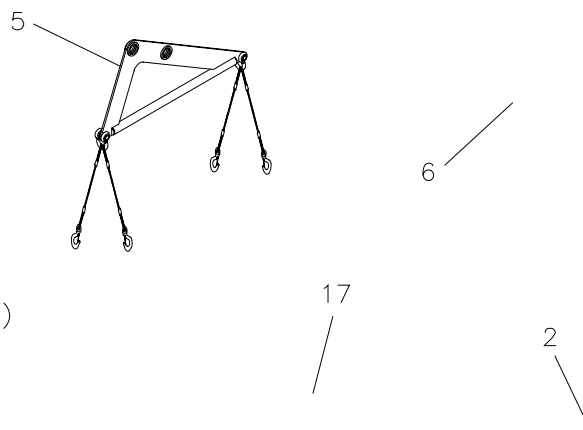
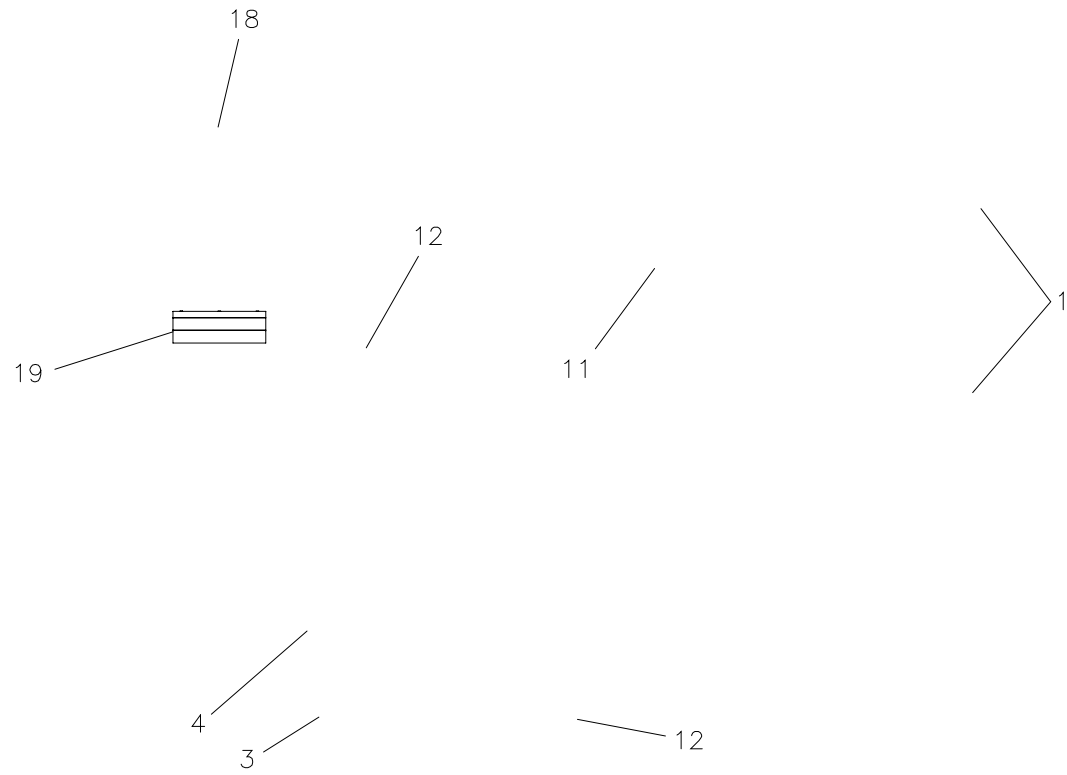
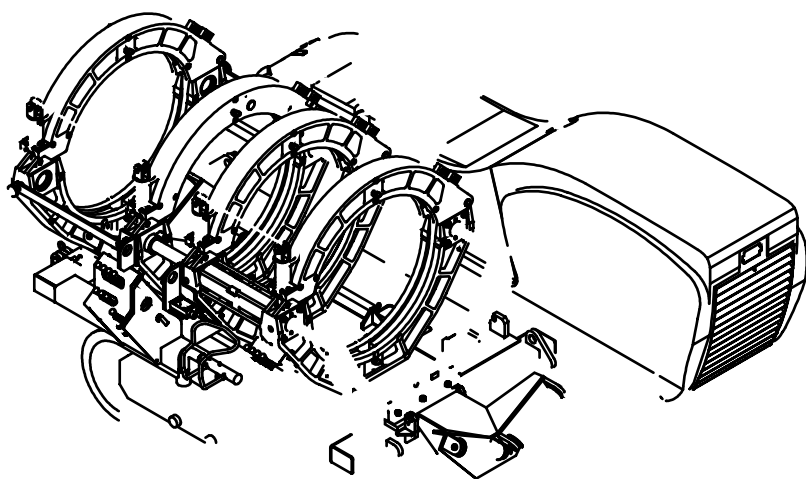


®

- 1. T9000201 TracStar 900 VEHICLE CHASSIS ASSEMBLY
- 2. T9000301 TracStar 900 POWER ASSEMBLY
- 3. T9000401 TracStar 900 CARRIAGE ASSEMBLY
- 4. T9000501 TracStar 900 MEDIUM FORCE CYLINDER ASSEMBLY SET (102 ONLY)
- 4. T9000502 TracStar 900 HIGH FORCE CYLINDER ASSEMBLY SET (103 ONLY)
- 4. T9000503 TracStar 900 LOW FORCE CYLINDER ASSEMBLY SET (104 ONLY)
- 5. T9000601 TracStar 900 SPREADER BAR ASSEMBLY
- 6. T9000701 TracStar 900 HOOD ASSEMBLY
- 7/8. T9000903 TracStar 900 VEHICLE HYDRAULIC/PLUMBING SCHEMATIC (NOT SHOWN)
- 9/10. T9001003 TracStar 900 CARRIAGE HYDRAULIC/PLUMBING SCHEMATIC (NOT SHOWN)
- 11. T9003901 TracStar 900 INDEXER ASSEMBLY
- 12. T9005401 TracStar 900 PIPE LIFT ASSEMBLY
- 13. T9009103 HINOWA TRACK DRIVE REPLACEMENT PARTS (NOT SHOWN)
- 14. T9013203 TracStar 900 CARRIAGE MANIFOLD ASSEMBLY (NOT SHOWN)
- 15. T9014603 TracStar 900 CHASSIS ELECTRICAL POWER ASSEMBLY (NOT SHOWN)
- 16. T9014702 TracStar 900 CARRIAGE ELECTRICAL POWER ASSEMBLY (NOT SHOWN)
- 17. 3616301 #1236 FACER ASSEMBLY
- 18. 3617401 #1236 BUTT PLATE HEATER ASSEMBLY
- 19. T9018001 TracStar 900 HEATER SUPPORT BLOCK ASSEMBLY



..



DRAWING REVISION HISTORY LISTING

PART NO: T9000102_3_4

DESCRIPTION: TracStar 900 FUSION MACHINE GROUPING FOR T9000102_3_4 ASSEMBLIES

<u>APPR.</u>	<u>REV</u>	<u>DATE</u>	<u>BY</u>	<u>DESCRIPTION OF REVISION</u>
DWP	A	8/9/06	RLE	REVISED TO SEPARATE COACH & NON COACH ASSEMBLIES, REVISED CAD NUMBER FROM _ASSYT90 TO T9000102_3_4. FOR COACH ASSEMBLY SEE T9000101