



McElroy Manufacturing, Inc.
The leader by design.
Tulsa, Oklahoma U.S.A.

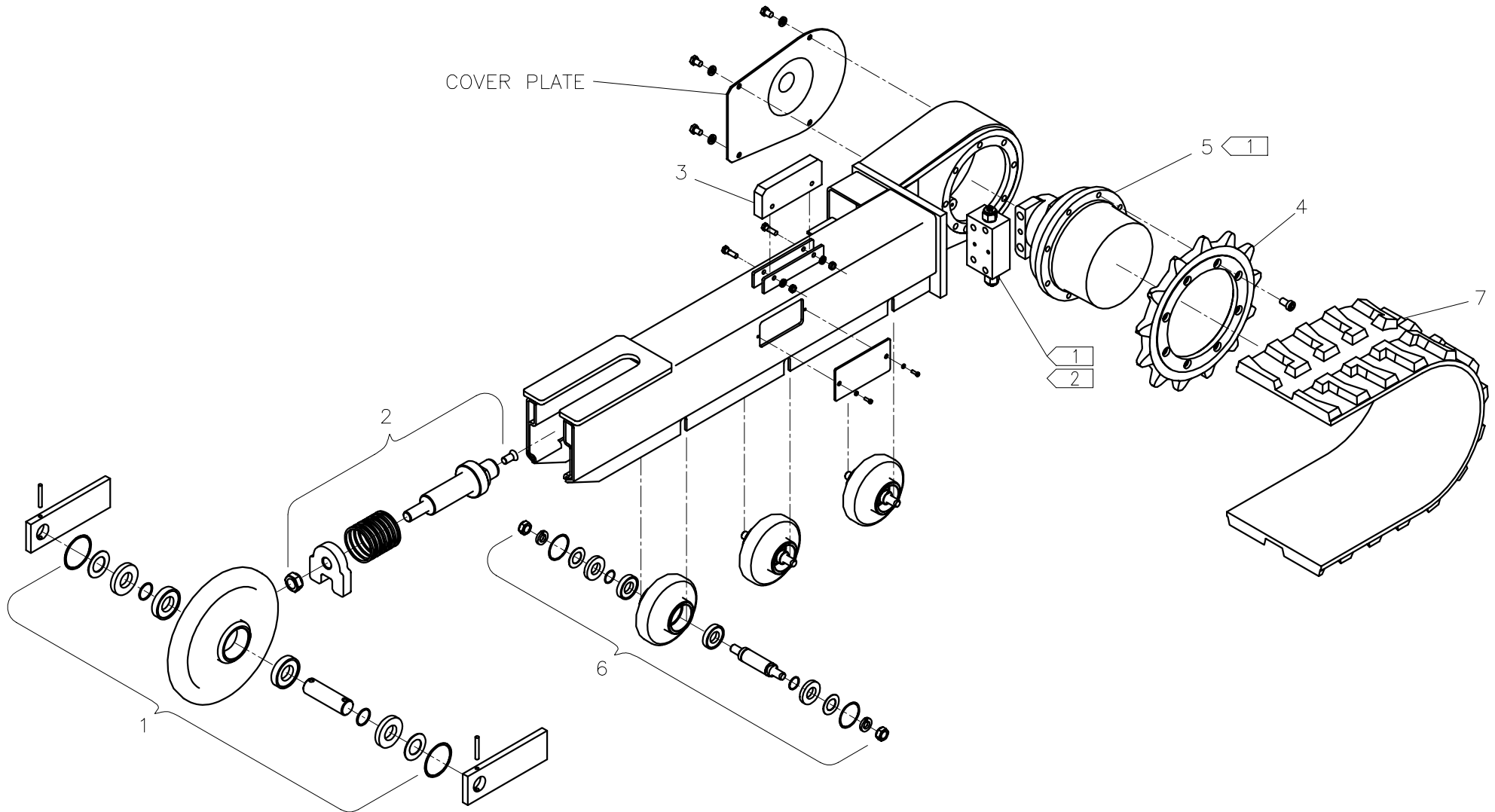
DRAWN: AH CHECK: DWP APPRVD: JRP DATE: 5/18/98 SHT No: 3 REV No: D PART No: T5017803

HINOWA TRACK DRIVE REPLACEMENT PARTS

NOTE: THIS DRAWING AND THE INFORMATION CONTAINED THEREIN IS THE CONFIDENTIAL AND PROPRIETARY PROPERTY OF McElroy Manufacturing, Inc. THE DRAWING IS NOT TO BE REPRODUCED IN ANY MANNER, SUBMITTED OUTSIDE PARTIES FOR EXAMINATION, OR USED DIRECTLY OR INDIRECTLY FOR THE PURPOSES OTHER THAN THOSE FOR WHICH IT WAS FURNISHED WITHOUT WRITTEN PERMISSION OF McElroy Manufacturing, Inc.

NOTES:

1. T5017811 VALVE BLOCK IS NOT USED ON MACHINES PRODUCED AFTER MID YEAR 2000. THIS BLOCK HAS BEEN INCORPORATED INTO ITEM 5, REDUCTION GEAR DRIVE. FOR ITEM 5 REPLACEMENT PARTS, EXAMINE THE COVER PLATE DESIGN OF YOUR MACHINE. FOR MACHINES WITH A FLAT COVER PLATE, ORDER T5017808. FOR MACHINES WITH A DISHED COVER PLATE. ORDER T5017812.
2. ORDER AT5017811 VALVE O-RING KIT FOR REPLACEMENT O-RINGS.



HINOWA TRACK DRIVE REPLACEMENT PARTSParts List

ITEM	PART NO.	QTY.	DESCRIPTION
	T5017803		ASSEMBLY
1	T5017813	2	REPLACEMENT TAKEUP ROLLER ASSEMBLY FOR HINOWA PT15
2	T5017805	2	TRACK TENSION SUPPORT
3	T5017806	2	TRACK SLIDE
4	T5017807	2	DRIVE WHEEL
5	SEE NOTE 1	2	REDUCTION GEAR DRIVE
6	T5017809	6	ROLLER
7	T5017810	2	RUBBER TRACK

DRAWING REVISION HISTORY LISTING

PART NO: T5017803
DESCRIPTION: HINOWA TRACK DRIVE REPLACEMENT PARTS

<u>APPR.</u>	<u>REV</u>	<u>DATE</u>	<u>BY</u>	<u>DESCRIPTION OF REVISION</u>
SWB	A	01/31/01	BWW	REVISED ITEM 5 PART NO. FROM T5017808 TO SEE NOTE 1 DUE TO REVISED REDUCTION GEAR DRIVE BY HINOWA. ADDED (SEE NOTE 1) TO ITEM 8. ADDED NOTE 1. TO HELP CLARIFY PART ORDERING OF ITEMS 5 & 8. ADDED NOTE 2 FOR REPLACEMENT O-RINGS.
SWB	B	08/25/05	BWW	MOVED NOTES TO FACE OF DRAWING FOR CLARITY & REMOVED ITEM 8 T5017811 FROM PARTS LIST WHICH IS INCORPORATED INTO REDUCTION GEAR BOX.
BWJ	C	6/22/06	RLE	REVISED 'TracStar 500' TO 'HINOWA' IN DRAWING DESCRIPTION TO AVOID CONFUSION WITH NEW McELROY TRACKS.
BWJ	D	10/12/06	PJD	REVISED TO CHANGE ITEM 1 FROM T5017804 PURCHASED PART TO T5017813 MANUFACTURED ASSEMBLY