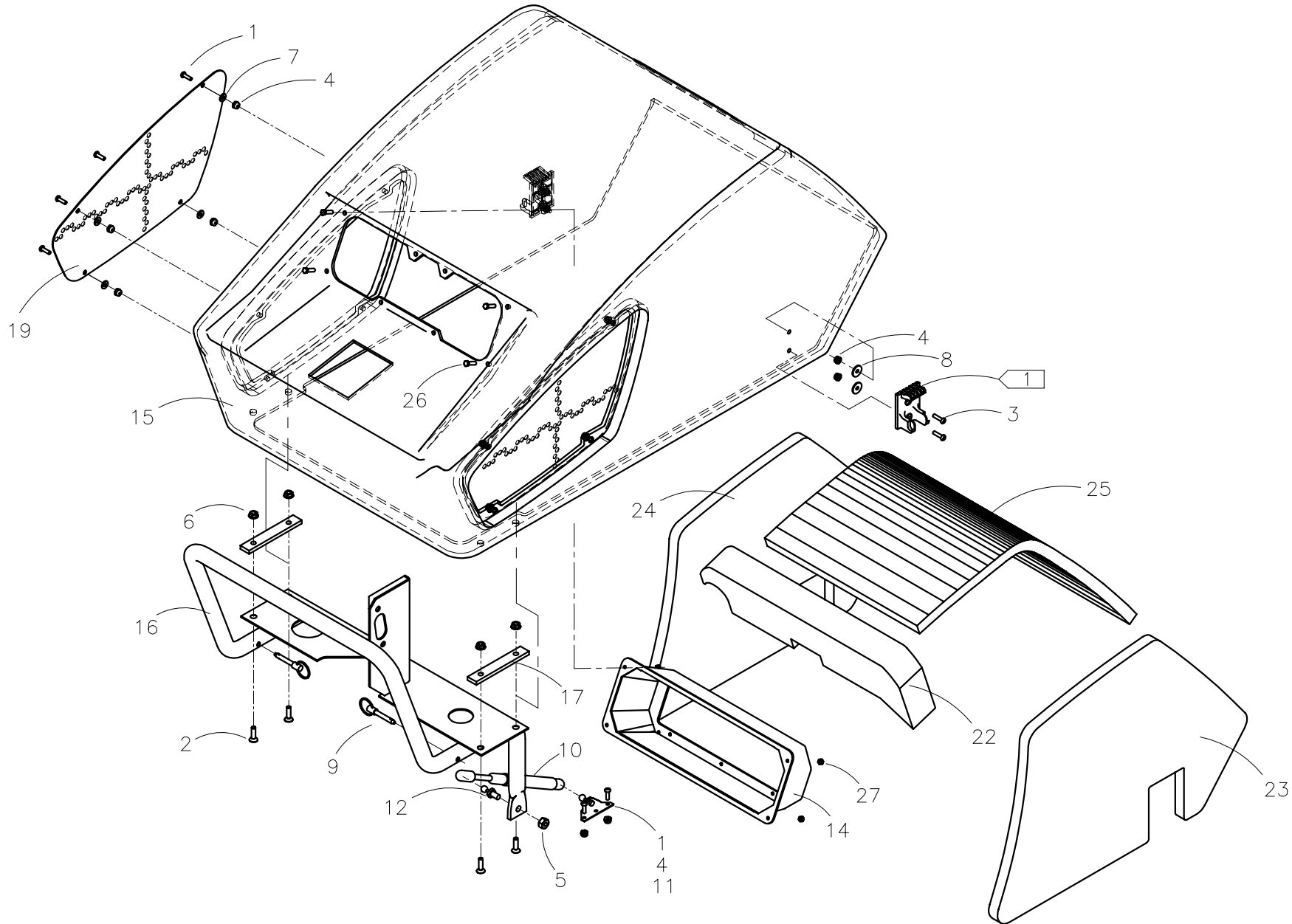




McElroy Manufacturing, Inc.
The leader by design.
Tulsa, Oklahoma U.S.A.

DRAWN: AH	CHECK: DWP	APPRV'D: JRP	DATE: 2/22/98	DWG No: T5014700	SHT No: 1	REV No: B	PART No: T5014701
TracStar 500 REAR HOOD ASSEMBLY							CAD No: T5014701

NOTE: THIS DRAWING AND THE INFORMATION CONTAINED THEREIN IS THE CONFIDENTIAL AND PROPRIETARY PROPERTY OF McElroy Manufacturing, Inc. THE DRAWING IS NOT TO BE REPRODUCED IN ANY MANNER, SUBMITTED OUTSIDE PARTIES FOR EXAMINATION, OR USED DIRECTLY OR INDIRECTLY FOR THE PURPOSES OTHER THAN THOSE FOR WHICH IT WAS FURNISHED WITHOUT WRITTEN PERMISSION OF McElroy Manufacturing, Inc.



TracStar 500 REAR HOOD ASSEMBLY

Parts List

ITEM	PART NO.	QTY.	DESCRIPTION
	T5014701		ASSEMBLY
1	MAH00003	10	#10-24NC X 5/8"LG PHPMS
2	MAN00026	4	1/4-20NC X 1" LG FHSCS
3	MAN00008	4	#10-24NC X 1" LG SHCS
4	MBC00004	14	#10-24NC MACHINE SCREW NYLON LOCK NUT
5	MBC00052	1	5/16-18NC PREVAILING TORQUE LOCK NUT
6	MBC00053	4	1/4-20NC PREVAILING TORQUE FLANGE LOCK NUT
7	MBF00004	8	#10 TYPE 'A' WIDE FLT WASHER STL PL
8	MBG00026	4	#10 FENDER WASHER STL PL
9	MCE00001	2	1/4"DIA X 1.60" GRIP DETENT PIN
10	MGA00040	1	GAS SPRING
11	MGF00060	1	MOUNTING BRACKET
12	MGF00061	1	MOUNTING STUD
13			
14	T5007501	1	CONTROL PANEL SHROUD
15	T5013801	1	ENGINE HOOD
16	T5015201	1	REAR HOOD HINGE WELDMENT
17	T5015205	2	REAR HOOD RETAINER PLATE
18	T5015601	1	TRACSTAR LOGO LABEL (NOT SHOWN)
19	T5015801	2	ENGINE HOOD VENT PLATE
20			
21	T5017101	1	LOWER CONTROL PANEL LABEL (NOT SHOWN)
22	T5019401	1	RADIATOR TO HOOD BAFFLE FOAM
23	T5019501	1	ENGINE HOOD INSULATION (RIGHT)T5019500
24	T5019502	1	ENGINE HOOD INSULATION (LEFT) T5019500
25	T5019503	1	ENGINE HOOD INSULATION (TOP)T5019500
26	MAH00041	8	#8-32NC X 3/4" LG SHCS
27	MBC00003	8	#8-32NC MACHINE SCR NYL LK NUT

NOTES:

1. HOOD LATCH KEEPER INCLUDED IN HOOD LATCH ASSEMBLY MJQ00341.

DRAWING REVISION HISTORY LISTING

PART NO: T5014701

DESCRIPTION: TracStar 500 REAR HOOD ASSEMBLY

<u>APPR.</u>	<u>REV</u>	<u>DATE</u>	<u>BY</u>	<u>DESCRIPTION OF REVISION</u>
DWP	-	3/18/98	TLW	REVISED ITEM #2 FROM (MAH00077) 1/4-20NC X 3/4 LG FHSCS 18-8SS TO (MAN00026) 1/4-20NC X 1 LG FHSCS 18-8SS.
DWP	A	8/19/98	AH	REVISED ITEMS #1(MAH00003) QTY 8 TO QTY 10 AND #4(MBC00004) QTY 12 TO QTY 14. DELETED ITEM #20(T5017001). ADDED ITEMS #26(MAH00041) QTY 4 AND #27(MBC00003) QTY 4.
DWP	---	2/18/99	AH	REVISED ITEM 26(MAH00041) QTY 4 TO 8 & ITEM 27(MBC00003) QTY 4 TO 8 FOR BETTER SEAL ON CONTROL PANEL.
SWB	B	02/01/02	BWW	REMOVED ITEM 13 MJQ00341& REPLACED WITH NOTE 1 TO SPECIFY HOOD LATCH ASSEMBLY INCLUDES KEEPER.