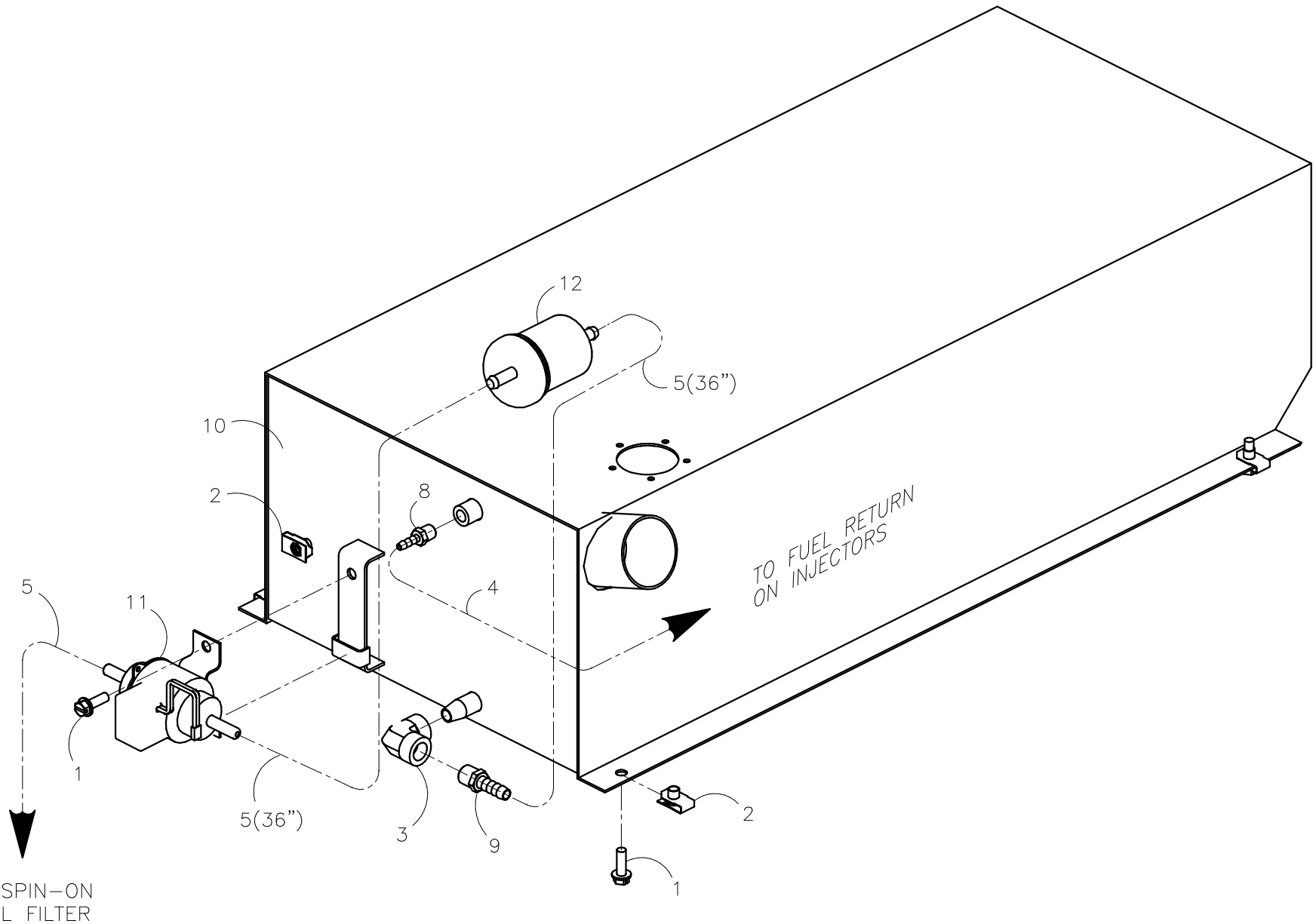




McElroy Manufacturing, Inc.
 The leader by design.
 Tulsa, Oklahoma U.S.A.

DRAWN: AH	CHECK: DWP	APPRV'D: JRP	DATE: 3/2/98	DWG No: T5014600	SHT No: 1	REV No: C	PART No: T5014601
TracStar 500 FUEL TANK ASSEMBLY							CAD No: T5014601

NOTE: THIS DRAWING AND THE INFORMATION CONTAINED THEREIN IS THE CONFIDENTIAL AND PROPRIETARY PROPERTY OF McElroy Manufacturing, Inc. THE DRAWING IS NOT TO BE REPRODUCED IN ANY MANNER, SUBMITTED OUTSIDE PARTIES FOR EXAMINATION, OR USED DIRECTLY OR INDIRECTLY FOR THE PURPOSES OTHER THAN THOSE FOR WHICH IT WAS FURNISHED WITHOUT WRITTEN PERMISSION OF McElroy Manufacturing, Inc.



TO SPIN-ON
 FUEL FILTER

TO FUEL RETURN
 ON INJECTORS

TracStar 500 FUEL TANK ASSEMBLY

Parts List

ITEM	PART NO.	QTY.	DESCRIPTION
	T5014601	1	ASSEMBLY
1	MAH00172	5	1/4-20NC X 3/4"LG HHFCS GR2 STLPL
2	MBC00054	5	1/4-20NC PREV TRQ LK CLIP NUT
3	MFA00009	1	4FPT/4FPT ELBOW
4	MHA00044	4Ft.	FUEL RETURN HOSE
5	MHA00045	10Ft.	FUEL LINE
6			
7	MHA00049	8	HOSE CLAMP 7/32 TO 5/8 (NOT SHOWN)
8	MHC00047	1	BARB FITTING 3/16 HOSE/2MPT
9	MHC00048	1	BARB FITTING 5/16 HOSE /4MPT
10	T5014901	1	FUEL TANK WELDMENT
11	T5024201	1	FUEL PUMP
12	MDA00059	1	FUEL FILTER

DRAWING REVISION HISTORY LISTING

PART NO: T5014601
DESCRIPTION: TracStar 500 FUEL TANK ASSEMBLY

<u>APPR.</u>	<u>REV</u>	<u>DATE</u>	<u>BY</u>	<u>DESCRIPTION OF REVISION</u>
TMT	A	05/05/98	AH	ADDED FUEL FILTER ITEM 12 (MDA00059) TO PROTECT ELECTRICAL PUMP. ADDED TWO MORE HOSE CLAMPS ITEM 6 (MHA00048) . CHANGED TANK OUTLET FITTING ITEM 3 FROM STRAIGHT (MFA00037) TO 90 DEG (MFA00009) AS IS BEING USED BY FUSION ASSEMBLY.
DWP	----	08/15/98	AH	CHANGED ITEM #1(MAA00003) QTY 4 TO (MAH00172) QTY 6. REVISED ITEM #2(MBC00054) QTY 4 TO QTY 6, ITEM #5(MHA00045) QTY 4ft. TO QTY 6ft., ITEM #7(MHA00049) QTY 2 TO QTY 8. DELETED ITEM #6 (MHA00048) QTY OF 6.
DWP	B	07/09/99	TLW	UPDATED DRAWING TO REFLECT CHANGES MADE TO ATTACH FUEL PUMP TO TANK EASIER AND REVISED ITEM #1 MAH00172 QTY. 6 TO 5 AND ITEM #2 MBC00054 QTY. 6 TO 5.
DWP	C	07/27/99	TLW	REVISED ITEM #5 LENGTH FROM 6ft. TO 10ft. AND UPDATE DRAWING TO RELOCATE FILL FILTER ITEM #12.