

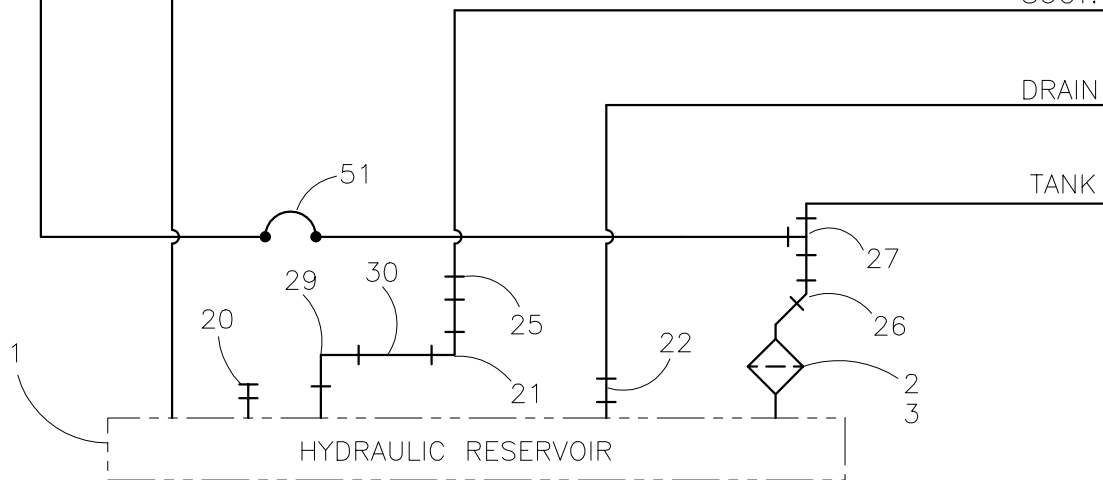
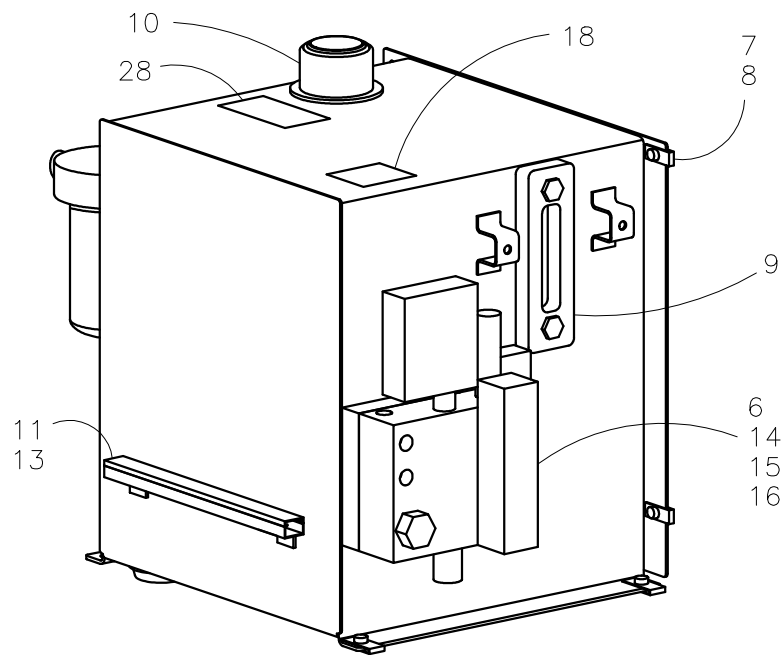
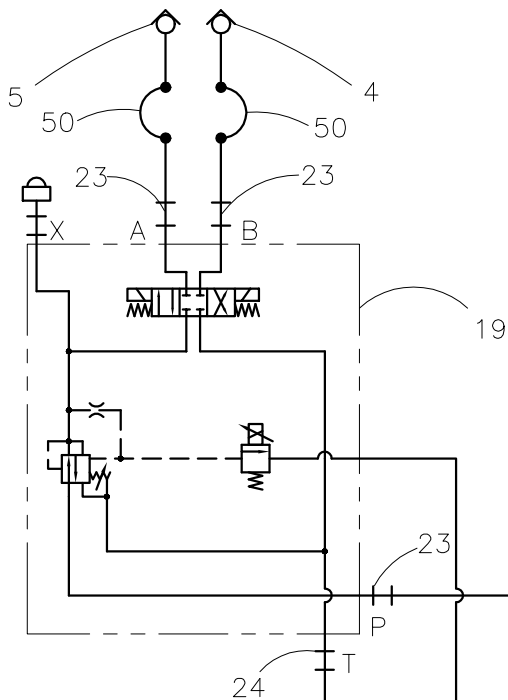


McElroy Manufacturing, Inc.
The leader by design.
Tulsa, Oklahoma U.S.A.

DRAWN: RLE	CHECK: DWP	APPRV'D: B	DATE: 02/17/98	DWG No: T5014500	SHT No: 1	REV No: F	PART No: T5014501
TracStar 500 HYDRAULIC/PLUMBING RESERVOIR SCHEMATIC							CAD No: T5014501

NOTE: THIS DRAWING AND THE INFORMATION CONTAINED THEREIN IS THE CONFIDENTIAL AND PROPRIETARY PROPERTY OF McElroy Manufacturing, Inc. THE DRAWING IS NOT TO BE REPRODUCED IN ANY MANNER, SUBMITTED OUTSIDE PARTIES FOR EXAMINATION, OR USED DIRECTLY OR INDIRECTLY FOR THE PURPOSES OTHER THAN THOSE FOR WHICH IT WAS FURNISHED WITHOUT WRITTEN PERMISSION OF McElroy Manufacturing, Inc.

SEE CARRIAGE HYDRAULIC/PLUMBING SCHEMATIC T5001001



SEE VEHICLE HYDRAULIC SCHEMATIC T5000901
& VEHICLE PLUMBING SCHEMATIC T5000902

TracStar 500 HYDRAULIC/PLUMBING RESERVOIR SCHEMATIC

Parts List

ITEM	PART NO.	QTY.	DESCRIPTION
	T5014501		ASSEMBLY
1	T5014001	1	HYDRAULIC RESERVOIR
2	MED00051	1	FILTER ELEMENT
3	MED00049	1	FILTER HEAD
4	MFH00001	1	1/4" FPT QUICK DISCONNECT COUPLER
5	MFH00002	1	1/4" FPT QUICK DISCONNECT NIPPLE
6	MAC00079	2	5/16-18NC x 2" LG. SHCS
7	MAH00172	8	1/4-20NC x 3/4" LG. HHFCS
8	MBC00054	8	1/4-20NC PREV. TRQ. LK. CLIP NUT
9	MEE00014	1	SIGHT GAUGE W/ THERMOMETER
10	MFK00001	1	FILLER CAP
11	MLL00101	.83ft	WIRING DUCT
12			
13	MJU00001	.16ft	VHB TAPE
14	MDL00017	1	O-RING
15	MDL00093	4	O-RING
16	MDL00094	1	O-RING
17	MLU00001	1	MARKING CARD (NOT SHOWN)
18	T5024301	1	JUMP START NOTICE LABEL
19	T5026501	1	CARRIAGE MANIFOLD ASSEMBLY
20	MFA00201	1	16 MPT PLUG WITH MAGNETIC INSERT
21	MFD00051	1	1NPT ELBOW BLK MI ALK ZINC/GOLD IRD
22	MFB00024	1	8MPT/8MJIC ADAPTER
23	MFC00002	3	6MSAE/6MJIC ADAPTER
24	MFC00022	1	6MSAE/6MJIC ELBOW 45
25	MHC00015	1	1" MPT/1" BARB HOSE END
26	MFB00042	1	8MPT/8MJIC ELBOW 45
27	MFB00077	1	8MJIC/8MJIC/8FSJIC TEE
28	T5027401	1	OIL FILL NOTICE LABEL
29	MFD00031	1	1" STEEL ELBOW BLK MI
30	MFI00121	1	1" NPT X 2" LG NIPPLE ALK ZNC/GOLD IRD

NOTES:

1. FOR HOSE ASSEMBLIES (ITEMS 50 & LARGER) SEE HYDRAULIC RESERVOIR HOSE KIT #AT5014502.
2. RINSE INSIDE OF RESERVOIR WITH SOLVENT BEFORE ASSEMBLY.
3. USE LOCTITE HYDRAULIC SEALANT ON ALL PIPE THREADS - **DO NOT USE** TEFLON TAPE.

DRAWING REVISION HISTORY LISTING

PART NO: T5014501

DESCRIPTION: TracStar 500 HYDRAULIC/PLUMBING RESERVOIR SCHEMATIC

<u>APPR.</u>	<u>REV</u>	<u>DATE</u>	<u>BY</u>	<u>DESCRIPTION OF REVISION</u>
DWP	-	04/03/98	TLW	REVISED FILTER ELEMENT ITEM #4 MED00017 TO MED00051 TO ELIMINATE DIRT IN HYDRAULIC SYSTEM.
DWP	-	05/13/98	RLE	UPDATED DRAWING TO MAKE PICTORIALLY CORRECT.
DWP	A	06/08/98	TLW	ADDED ITEMS #18 MLL00101 WIRING DUCT, #19 MLL00102 WIRING DUCT COVER AND #20 MJU00001 VHB TAPE.
TLW	B	6/30/98	MRP	ADDED ITEMS #21 MDL00017 O RING, #22 MDL00093 O RING, #23 MDL00094 O-RING, #24 MLU00001 MARKING CARD (NOT SHOWN), & #25 T5024301 JUMP START NOTICE LABEL.
DWP	C	10/13/98	TLW	MOVED ITEMS 831001, 831301, MEF00035, MEF00066, MEG00021, MQB00032, AND MFL00011 TO CARRIAGE MANIFOLD ASSEMBLY.
TLW	D	07/07/99	DJL	ADDED ITEMS 20-27, & HOSE ASSY AT5014502 FROM T5014502 HYDRAULIC RESERVOIR PLUMBING SCHEMATIC. COMBINED T5014502 WITH T5014501 PER TECH DEPARTMENT TO ELIMINATE CONFUSION.
DWP	E	07/27/99	TLW	ADDED ITEM #28 T5027401 OIL FILL NOTICE LABEL.
DWP	F	3/9/00	BWW	REVISED DRAWING TO ADD ITEMS #29 MFD00031 1" STEEL ELBOW AND ITEM #30 MFI00121 1" X 2" LG NIPPLE ALSO CHANGED ITEM #22 FROM MFB00030 TO MFB00024. RENUMBERED ITEMS 30 & 31 TO 50 & 51 TO MATCH HOSE KIT AT5014502.
DWP	-	7/12/00	BWW	REMOVED ITEM #12 (MLL00102) WIRING DUCT COVER. NOW INCLUDED WITH ITEM #11 (MLL00101) WIRING DUCT.
DWP	--	2/19/02	RLE	REVISED ITEM #20 MFA00035 TO MFA00201 TO REDUCE OIL CONTAMINANTS.

**TracStar 500 HYDRAULIC RESERVOIR
HOSE KIT**Parts List

ITEM	PART NO.	QTY.	DESCRIPTION
	AT5014502		ASSEMBLY
50	HBABDD080	2	HOSE ASSEMBLY OAL 80"
51	HBBDBE024	1	HOSE ASSEMBLY OAL 24"

NOTES:

1. SEE HYDRAULIC/PLUMBING RESERVOIR SCHEMATIC #T5014501 FOR LOCATION OF ITEM NUMBERS.

DRAWING REVISION HISTORY LISTING

PART NO: AT5014502

DESCRIPTION: TracStar 500 HYDRAULIC RESERVOIR HOSE KIT

<u>APPR.</u>	<u>REV</u>	<u>DATE</u>	<u>BY</u>	<u>DESCRIPTION OF REVISION</u>
DWP	A	05/13/98	RLE	REMOVED ITEM #21 HBBDE028 QTY (1). REVISION MADE FOR NEW MANIFOLD, T5007801, & NEW HINGE WELDMENT, T5015201.
DWP	B	12/10/98	TLW	ADDED ITEM #21 HBBDE021 QTY. 1
DWP	C	1/28/99	AH	REVISED ITEM #21(HBBDE021) TO HBBDE023.
TLW	D	7/7/99	DJL	RENUMBERED ITEMS FROM 20 & 21 AFTER COMBINING T5014502 & T5014501 HYDRAULIC & PLUMBING SCHEMATICS.
DWP	-	3/14/00	BWW	CHANGED ITEM #'S FROM 30 & 31 TO 50 & 51 TO ALLOW FOR MORE ITEMS TO BE ADDED TO PART #T5014501.
TLW	E	5/31/00	MLM	ADDED 1" MORE LENGTH TO ITEM-51, MAKING IT 24"