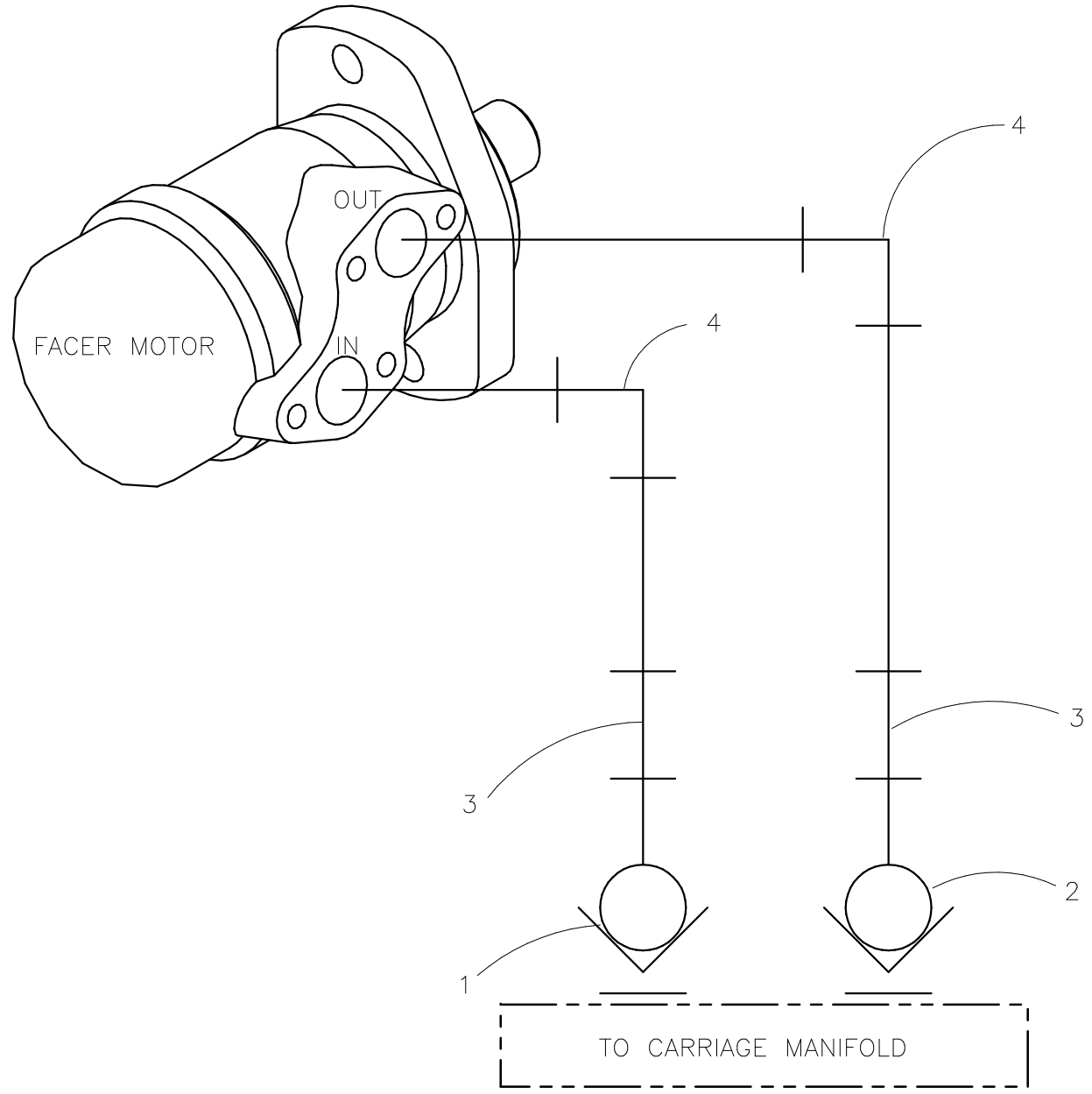




McElroy Manufacturing, Inc.
The leader by design.
Tulsa, Oklahoma U.S.A.

DRAWN: RLE	CHECK: DWP	APPRV'D: B	DATE: 02/09/98	DWG No: T5001100	SHT No: 1	REV No: A	PART No: T5001101
TracStar 500 FACER HYDRAULIC/PLUMBING SCHEMATIC							CAD No: T5001101

NOTE: THIS DRAWING AND THE INFORMATION CONTAINED THEREIN IS THE CONFIDENTIAL AND PROPRIETARY PROPERTY OF McElroy Manufacturing, Inc. THE DRAWING IS NOT TO BE REPRODUCED IN ANY MANNER, SUBMITTED OUTSIDE PARTIES FOR EXAMINATION, OR USED DIRECTLY OR INDIRECTLY FOR THE PURPOSES OTHER THAN THOSE FOR WHICH IT WAS FURNISHED WITHOUT WRITTEN PERMISSION OF McElroy Manufacturing, Inc.



TracStar 500 FACER HYDRAULIC/PLUMBING SCHEMATICParts List

ITEM	PART NO.	QTY.	DESCRIPTION
	T5001101		ASSEMBLY
1	MFH00003	1	3/8" FPT QUICK DISCONNECT COUPLING
2	MFH00004	1	3/8" FPT QUICK DISCONNECT NIPPLE
3	MFA00182	2	6MPT/8MPT REDUCING NIPPLE
4	MFC00009	2	8FPT/10MSAE ELBOW

DRAWING REVISION HISTORY LISTING

PART NO: T5001101

DESCRIPTION: TracStar 500 FACER HYDRAULIC/PLUMBING SCHEMATIC

<u>APPR.</u>	<u>REV</u>	<u>DATE</u>	<u>BY</u>	<u>DESCRIPTION OF REVISION</u>
TLW	A	7/7/99	DJL	COMBINED T5001101 & T5001102 HYDRAULIC & PLUMBING SCHEMATICS PER TECH DEPARTMENT TO ELIMINATE CONFUSION.