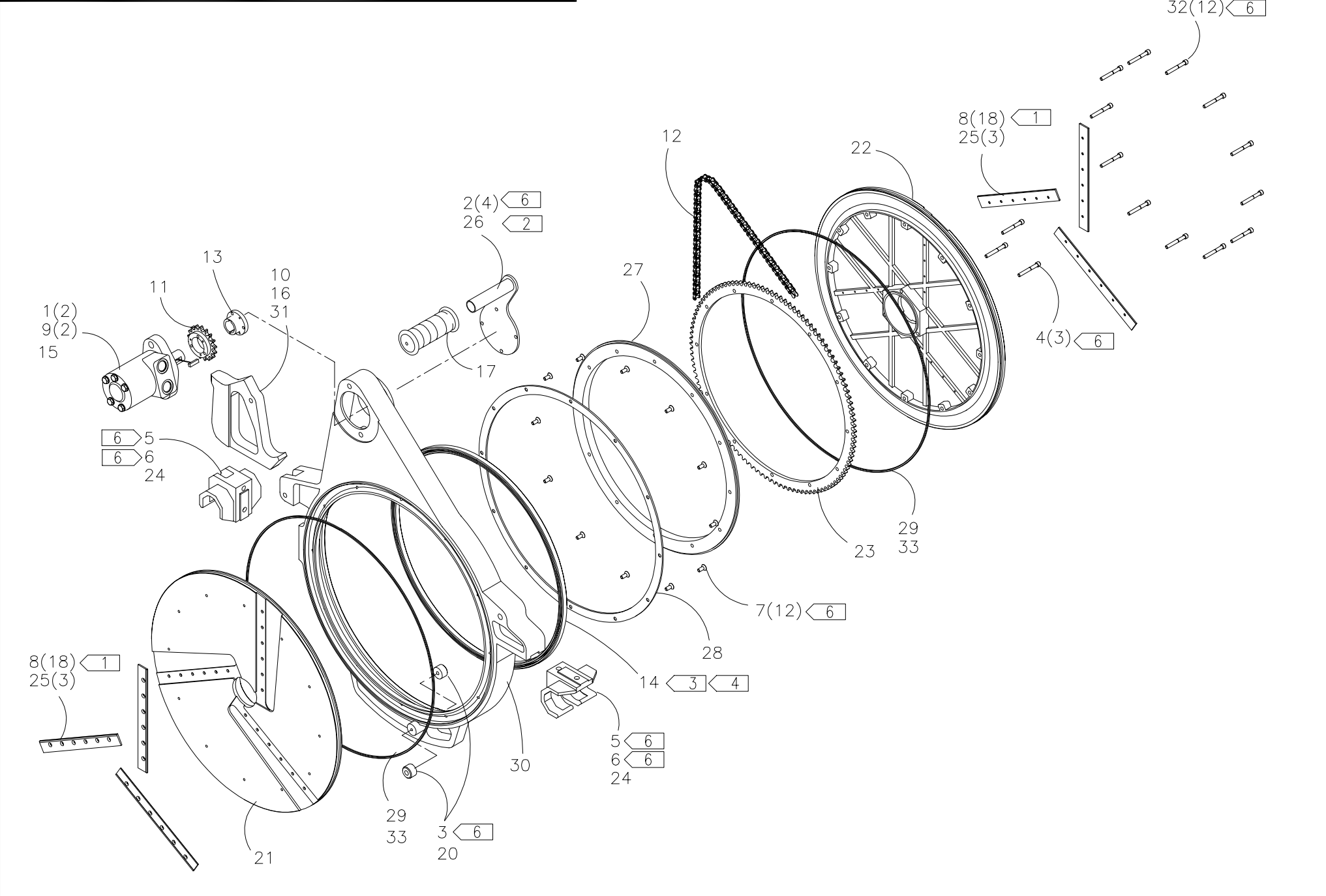




**McElroy Manufacturing, Inc.**  
 The leader by design.  
 Tulsa, Oklahoma U.S.A.

DRAWN: TLW	CHECK: DWP	APPRV'D: JRP	DATE: 5/9/97	DWG No: T5000600	SHT No: 1	REV No: G	PART No: T5000601
TracStar® 500 FACER ASSEMBLY							CAD No: T5000601

NOTE: THIS DRAWING AND THE INFORMATION CONTAINED THEREIN IS THE CONFIDENTIAL AND PROPRIETARY PROPERTY OF McElroy Manufacturing, Inc. THE DRAWING IS NOT TO BE REPRODUCED IN ANY MANNER, SUBMITTED OUTSIDE PARTIES FOR EXAMINATION, OR USED DIRECTLY OR INDIRECTLY FOR THE PURPOSES OTHER THAN THOSE FOR WHICH IT WAS FURNISHED WITHOUT WRITTEN PERMISSION OF McElroy Manufacturing, Inc.



## TracStar® 500 FACER ASSEMBLY

### Parts List

ITEM	PART NO.	QTY.	DESCRIPTION
	<b>T5000601</b>		<b>ASSEMBLY</b>
1	MAB00069	2	1/2-13NC x 1-1/2 LG. HHCS
2	MAH00050	4	1/4-20NC x 1/2 LG. SHCS SS
3	MAH00052	2	1/4-20NC x 3/4 LG. SHCS SS
4	MAH00072	3	1/4-20NC x 1-1/2 LG. SHCS SS
5	MAN00009	2	3/8-16NC x 1" LG. SHCS SS
6	MAH00078	2	3/8-16NC x 1-1/2 LG. SHCS SS
7	MAD00042	12	1/4-20NC. x 1/2 LG. FHSCS
8	MAH00074	36	#8-32NC x 3/8 LG. FHSCS SS
9	MBE00009	2	1/2 REGULAR SPLIT LOCK WASHER
10	MCK00017	1	3/8 DIA. x 1-3/4 LG. LOCK PIN
11	MDF00018	1	CHAIN SPROCKET
12	AT5019801	1	FACER ROLLER CHAIN ASSEMBLY
13	MDH00019	1	Q.D. HUB, WITH 1" DIA. BORE
14	MDM00032	1	BALL BEARING
15	MEC00004	1	HYDRAULIC MOTOR
16	MJE00008	1	DIE SPRING
17	MJJ00009	1	HAND GRIP
18	T5001101	1	T500 FACER HYD/PLUMBING SCHEMATIC (NOT SHOWN)
19			
20	T5004101	2	BOTTOM REST BUTTON
21	T5004602	1	TAPPED BLADE HOLDER
22	T5004603	1	COUNTERBORED BLADE HOLDER
23	T5004801	1	DRIVEN SPROCKET
24	T5004901	2	FACER GUIDE ROD BRACKET
25	T5005001	6	FACER BLADE
26	T5005101	1	FACER HANDLE BRACKET WELDMENT
27	T5005201	1	FACER SPACER RING
28	T5005301	1	FACER BEARING CLAMP RING
29	T5005401	2	FACER BODY SEAL
30	T5008702	1	FACER BODY
31	T5008801	1	FACER LATCH HANDLE
32	MAH00069	12	1/4-20NC x 2-1/4 LG. SHCS SS
33	T5005402	2	FACER BODY O'RING
34			

#### **NOTES:**

1. INSTALL WITH HIGH TEMPERATURE ANTI-SEIZE COMPOUND.
2. INSTALL WITH GASKET SEALER.
3. INSTALL WITH HIGH STRENGTH RETAINING COMPOUND USING A COMPATIBLE CLEANER FIRST.
4. PACK BEARINGS WITH EP GREASE.

**TracStar<sup>®</sup> 500 FACER ASSEMBLY**Parts List

---

ITEM	PART NO.	QTY.	DESCRIPTION
5.			FILL FACER CAVITY 2/3 FULL WITH EP GREASE.
6.			INSTALL WITH MEDIUM STRENGTH THREAD LOCKING COMPOUND.

---

## DRAWING REVISION HISTORY LISTING

**PART NO:** T5000601  
**DESCRIPTION:** TracStar® 500 FACER ASSEMBLY

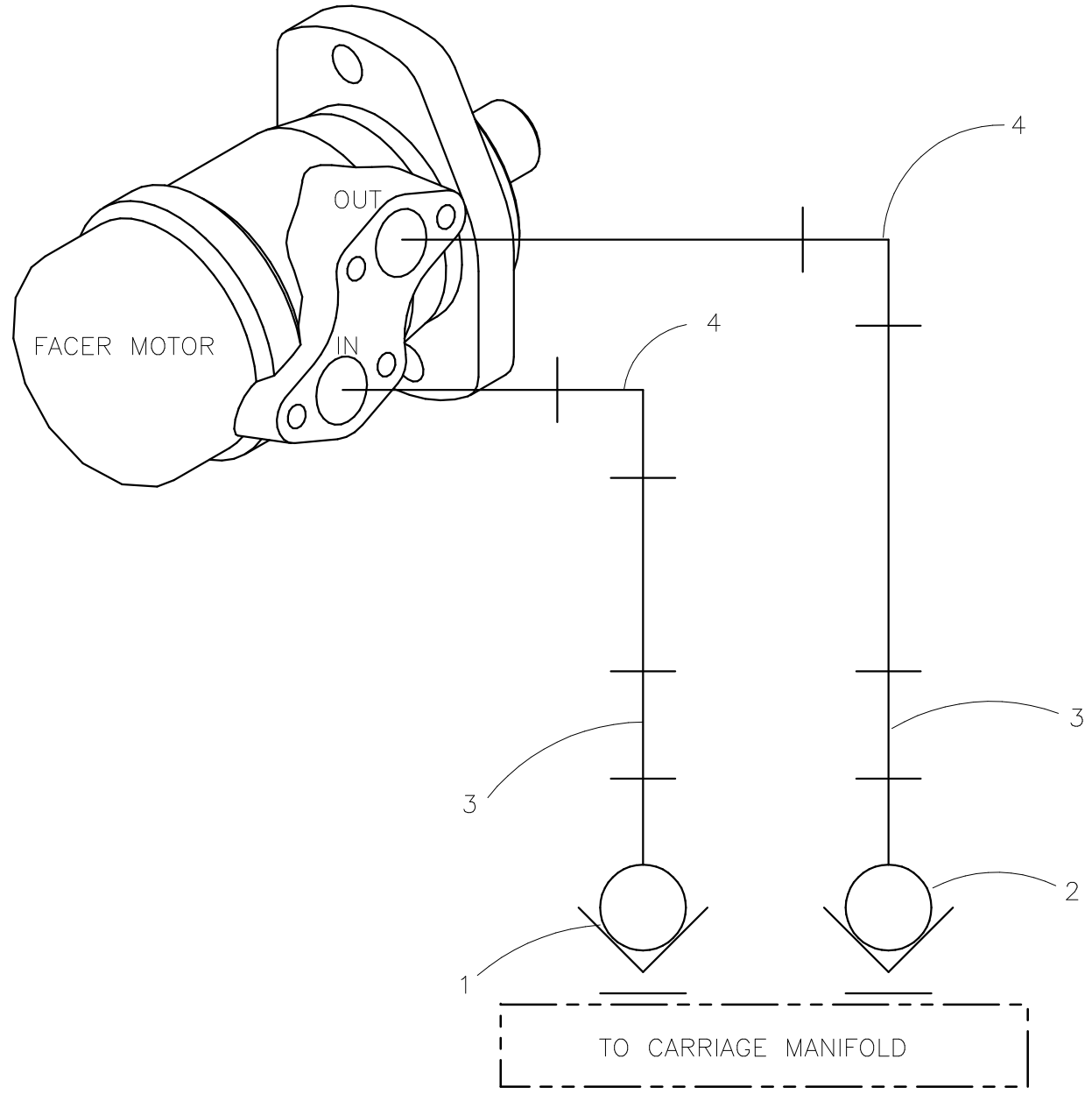
<u>APPR.</u>	<u>REV</u>	<u>DATE</u>	<u>BY</u>	<u>DESCRIPTION OF REVISION</u>
DWP	A	02/02/98	AH	REDESIGNED.
DWP	B	03/04/98	AH	REVISED ITEMS (2) MAC00052 TO MAA00002, (3) MAC00053 TO MAH00097, (4) MAC00057 TO MAH00072, (5) MAC00093 TO MAN00009, & (6) MAC00096 TO MAH00068. ADDED ITEM (32) MAH00069
DWP	---	03/31/98	TLW	REVISED ITEM #12 (MDG00011) ROLLER CHAIN TO (AT5019801) FACER ROLLER CHAIN ASSEMBLY TO MATCH PRODUCT STRUCTURE.
TLW	---	06/09/98	TGW	REVISED ITEM #2 P/N FROM MAA00002 TO MAH00050 & ITEM #3 P/N FROM MAH00097 TO MAH00052.
SWB	C	06/01/99	TLW	ADDED ITEM #33 T5005402. FACER BODY O'RING WAS SUPPLIED WITH T5005401 BY OUTSIDE VENDER, WHICH HAS BEEN CHANGED TO BE MANUFACTURED INSIDE TO REDUCE COST.
DWP	D	01/08/02	MLM	REVISED TO ADD ITEM #34 KEENSERTS IN FACER.
SWB	E	04/12/02	BWW	REVISED TO REMOVE ITEM 34 MJM00003. PART MOVED TO T5008702 FACER BODY TO ENSURE FACER BODY SERVICE PART IS COMPLETE.
SWB	F	3/24/03	RLE	REVISED NOTES TO AGREE WITH ENGINEERING STANDARDS.
LAA	G	06/05/05	BWW	REVISED ITEM 6 FROM MAH00068 TO MAH00078 FOR BETTER THREAD ENGAGEMENT. CORRECTED VIEW OF SPROCKET AND HUB TO MORE CLEARLY COMMUNICATE ASSEMBLY INSTRUCTIONS. CHANGED ITEM 15 FROM DANFOSS MOTOR TO PARKER AND CORRECTED VIEW OF ITEM 27.



**McElroy Manufacturing, Inc.**  
The leader by design.  
Tulsa, Oklahoma U.S.A.

DRAWN: RLE	CHECK: DWP	APPRV'D: B	DATE: 02/09/98	DWG No: T5001100	SHT No: 1	REV No: A	PART No: T5001101
TracStar 500 FACER HYDRAULIC/PLUMBING SCHEMATIC							CAD No: T5001101

NOTE: THIS DRAWING AND THE INFORMATION CONTAINED THEREIN IS THE CONFIDENTIAL AND PROPRIETARY PROPERTY OF McElroy Manufacturing, Inc. THE DRAWING IS NOT TO BE REPRODUCED IN ANY MANNER, SUBMITTED OUTSIDE PARTIES FOR EXAMINATION, OR USED DIRECTLY OR INDIRECTLY FOR THE PURPOSES OTHER THAN THOSE FOR WHICH IT WAS FURNISHED WITHOUT WRITTEN PERMISSION OF McElroy Manufacturing, Inc.



**TracStar 500 FACER HYDRAULIC/PLUMBING SCHEMATIC**Parts List

ITEM	PART NO.	QTY.	DESCRIPTION
	<b>T5001101</b>		<b>ASSEMBLY</b>
1	MFH00003	1	3/8" FPT QUICK DISCONNECT COUPLING
2	MFH00004	1	3/8" FPT QUICK DISCONNECT NIPPLE
3	MFA00182	2	6MPT/8MPT REDUCING NIPPLE
4	MFC00009	2	8FPT/10MSAE ELBOW

## DRAWING REVISION HISTORY LISTING

**PART NO:** T5001101

**DESCRIPTION:** TracStar 500 FACER HYDRAULIC/PLUMBING SCHEMATIC

<u>APPR.</u>	<u>REV</u>	<u>DATE</u>	<u>BY</u>	<u>DESCRIPTION OF REVISION</u>
TLW	A	7/7/99	DJL	COMBINED T5001101 & T5001102 HYDRAULIC & PLUMBING SCHEMATICS PER TECH DEPARTMENT TO ELIMINATE CONFUSION.