



McElroy Manufacturing, Inc.

The leader by design.

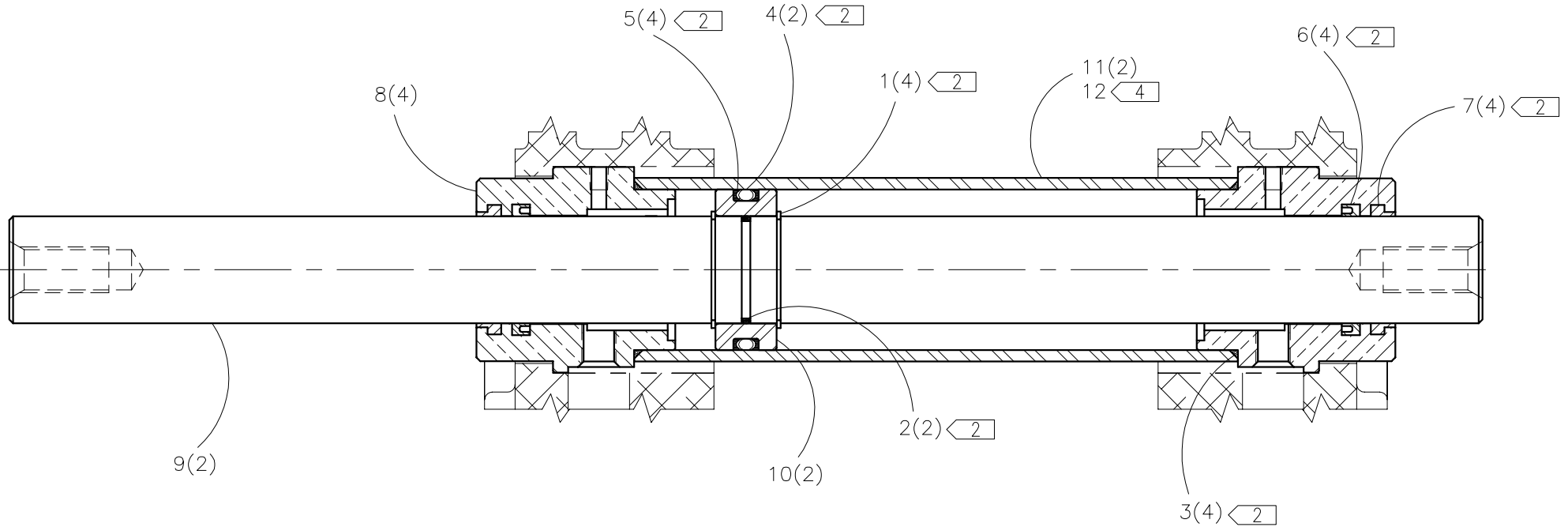
Tulsa, Oklahoma U.S.A.

DRAWN: TLW CHECK: DWP APPRV'D: JRP DATE: 5/13/97 DWG No: T5000500 SHT No: 1 REV No: B PART No: T5000501

TracStar 500 MEDIUM FORCE CYLINDER ASSEMBLY SET (HV)

CAD No: T5000501

NOTE: THIS DRAWING AND THE INFORMATION CONTAINED THEREIN IS THE CONFIDENTIAL AND PROPRIETARY PROPERTY OF McElroy Manufacturing, Inc. THE DRAWING IS NOT TO BE REPRODUCED IN ANY MANNER, SUBMITTED OUTSIDE PARTIES FOR EXAMINATION, OR USED DIRECTLY OR INDIRECTLY FOR THE PURPOSES OTHER THAN THOSE FOR WHICH IT WAS FURNISHED WITHOUT WRITTEN PERMISSION OF McElroy Manufacturing, Inc.



**TracStar 500 MEDIUM FORCE CYLINDER ASSEMBLY SET (HV)**Parts List

ITEM	PART NO.	QTY.	DESCRIPTION
	<b>T5000501</b>	<b>1</b>	<b>ASSEMBLY</b>
1	MCB00011	4	EXTERNAL SNAP RING
2	MDL00003	2	O' RING
3	MDL00004	4	O' RING
4	MDL00008	2	O' RING
5	MDL00026	4	BACK-UP RING
6	MDL00091	4	SEAL
7	MDL00092	4	WIPER
8	T5003001	4	PACKING GLAND
9	1202301	2	GUIDE ROD
10	1216501	2	MEDIUM FORCE PISTON
11	1224801	2	MEDIUM FORCE CARRIAGE CYLINDER
12	816345	1	6.01 SQ. IN. TEPA LABEL

**NOTES:**

1. Total effective piston area = 6.01 in. sq.
2. Items included in seal kit #A1811301.
3. Lubricate parts and seals with hydraulic fluid only.
4. Install item #12 on operator side.

## DRAWING REVISION HISTORY LISTING

**PART NO:** T5000501

**DESCRIPTION:** TracStar 500 MEDIUM FORCE CYLINDER ASSEMBLY SET (HV)

<u>APPR.</u>	<u>REV</u>	<u>DATE</u>	<u>BY</u>	<u>DESCRIPTION OF REVISION</u>
DWP	A	2/10/98	TLW	REVISED TO USE COMMON PARTS OF #412/#618 CYLINDER ASSEMBLY.
DWP	B	3/5/98	TLW	ADDED ITEM #12(816345) 6.01 SQ. IN. TEPA LABEL AND NOTE (4) TO INSTALL ON OPERATOR SIDE.