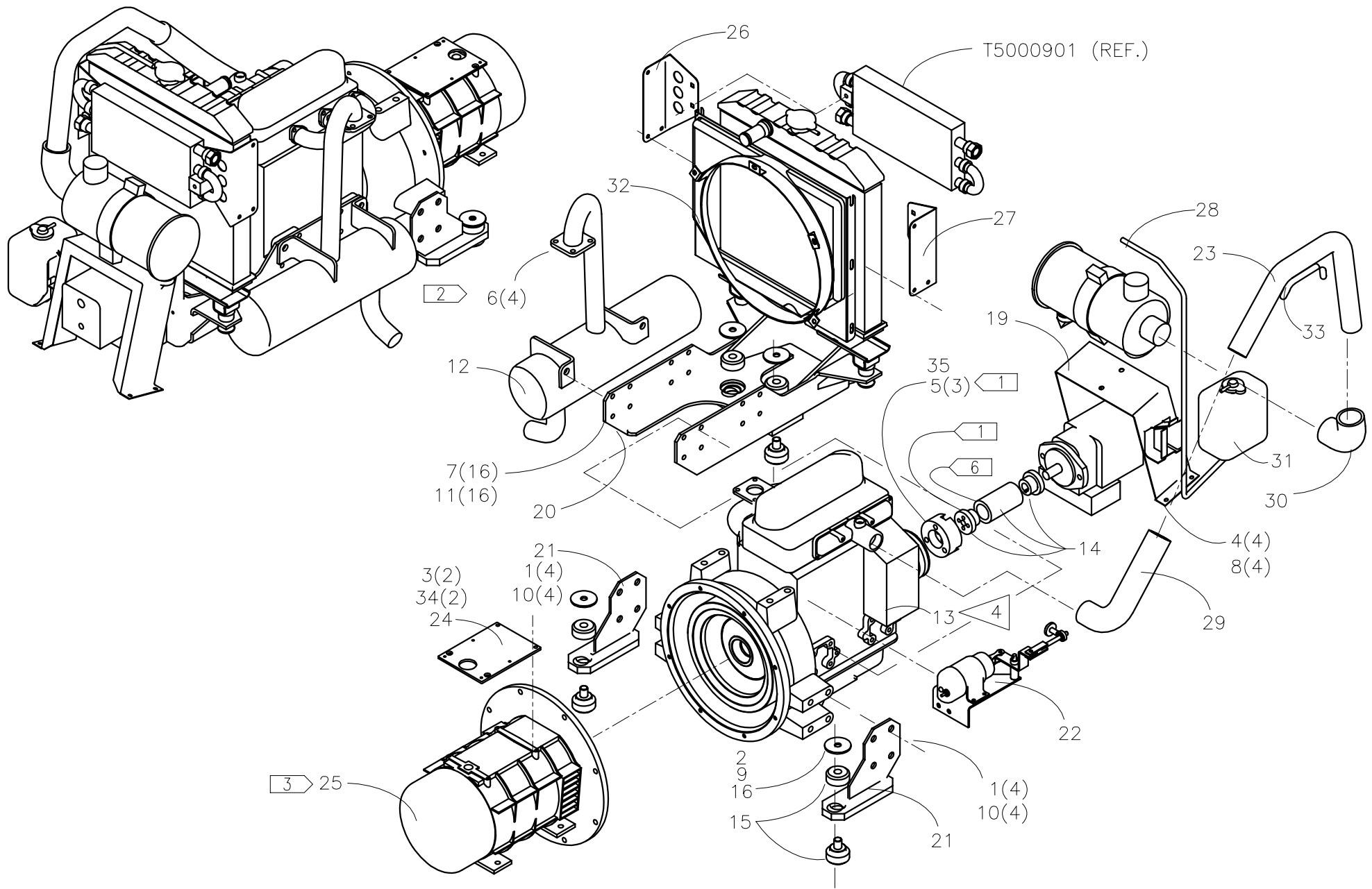




McElroy Manufacturing, Inc.
 The leader by design.
 Tulsa, Oklahoma U.S.A.

DRAWN: AH	CHECK: DWP	APPRV'D: JRP	DATE: 3/23/98	DWG No: T5000300	SHT No: 1	REV No: F	PART No: T5000301
TracStar 500 DIESEL POWER PACK ASSEMBLY							CAD No: T5000301

NOTE: THIS DRAWING AND THE INFORMATION CONTAINED THEREIN IS THE CONFIDENTIAL AND PROPRIETARY PROPERTY OF McElroy Manufacturing, Inc. THE DRAWING IS NOT TO BE REPRODUCED IN ANY MANNER, SUBMITTED OUTSIDE PARTIES FOR EXAMINATION, OR USED DIRECTLY OR INDIRECTLY FOR THE PURPOSES OTHER THAN THOSE FOR WHICH IT WAS FURNISHED WITHOUT WRITTEN PERMISSION OF McElroy Manufacturing, Inc.



TracStar 500 DIESEL POWER PACK ASSEMBLYParts List

ITEM	PART NO.	QTY.	DESCRIPTION
	T5000301	1	ASSEMBLY
1	MAA00124	8	1/2-13NC X 1 LG HHCS
2	MAA00138	4	1/2-13NC X 5 LG HHCS
3	MAH00077	2	1/4-20NC X 3/4 LG FHSCS
4	MAH00172	4	1/4-20NCX3/4 LG HWHSMS
5	MAR00010	3	M10-1.25 X 35MM LG HHCS
6	MAR00011	4	M8-1.25 X 20MM LG HHCS
7	MAR00012	16	M10-1.25 X 25MM LG HHCS
8	MBC00054	4	1/4-20NC PREVAILING TORQUE LOCK CLIP NUT
9	MBC00056	4	1/2-13NC PREVAILING TORQUE FLANGE LOCK NUT
10	MBE00009	8	1/2" REG SPLIT LOCK WASHER
11	MBE00025	16	10MM REG SPLIT LOCK WASHER
12	MDA00046	1	MUFFLER
13	MDA00050	1	DIESEL ENGINE
14	MDJ00061	1	GEAR GRIP COUPLING ASSEMBLY
15	MDS00001	4	SHOCK MOUNT
16	MDS00003	4	SNUBBING WASHER
17	MFA00193	1	2FPT/2BSMPT ADAPTER - FOR OIL PRESSURE TRANSDUCER (NOT SHOWN)
18	MFA00194	1	6MPT/2FPT ADAPTER - FOR WATER TEMP TRANSDUCER (NOT SHOWN)
19	T5013101	1	AIR FILTER BRACKET
20	T5013206	1	FRONT ENGINE MOUNT
21	T5013601	2	REAR ENGINE MOUNT WELDMENT
22	T5014801	1	T500 SOLENOID BRACKET ASSEMBLY
23	T5015401	1	INTAKE AIR TUBE
24	T5016002	1	ALTERNATOR ELECTRICAL JUNCTION BOX MTG. PLATE
25	T5016004	1	ALTERNATOR MODIFICATION
26	T5019301	1	RIGHT HAND OIL COOLER BRACKET
27	T5019302	1	LEFT HAND OIL COOLER BRACKET
28	MHA00001	3Ft.	1/4ID x 3/8OD CLEAR TUBING
29	T5025102	1	INTAKE AIR HOSE MANIFOLD SIDE
30	T5025101	1	INTAKE AIR HOSE FILTER SIDE
31	MDA00052	1	COOLANT TANK
32	T5026201	1	RADIATOR FAN SHROUD MODIFICATION
33	MJQ00355	.60 Ft	FOAM TAPE
34	MAL00007	2	1/4-20NC X 3/4 LG HWH TF SCREW
35	T5033101	1	PUMP COUPLING ADAPTER

TracStar 500 DIESEL POWER PACK ASSEMBLY

Parts List

ITEM	PART NO.	QTY.	DESCRIPTION
------	----------	------	-------------

NOTES:

1. ASSEMBLE W/ LOCKTITE #242
2. ASSEMBLE W/ ANTI-SEIZE
3. ALTERNATOR INSTALLATION:
 - A) BOLT STUB SHAFT ONTO ENGINE FLYWHEEL.
 - B) INSERT FOUR STUDS INTO ADAPTER FLANGE USING LOCKTITE 242.
 - C) MOUNT ADAPTER FLANGE ONTO BELL HOUSING.
 - D) INSTALL SHAFT STUD IN END OF STUB SHAFT USING LOCKTITE 242.
 - E) REMOVE ALTERNATOR END COVER.
 - F) GUIDE ALTERNATOR OVER STUB SHAFT AND ONTO STUDS.
 - G) TIGHTEN NUTS ON STUDS TO 4Ft-Lbs.
 - H) TIGHTEN NUT ON SHAFT STUD TO 15Ft.-Lbs.
 - I) REPLACE END COVER.
4. FOR REPLACEMENT AIR FILTER ORDER MDA00083
 OIL FILTER ORDER MDA00061
 IN-LINE FUEL FILTER ORDER MDA00059
5. REPLACEMENT ENGINE PARTS MUST BE ORDERED DIRECTLY FROM A KUBOTA DEALER. SPECIFY DIESEL ENGINE MODEL # D905E.
6. ORDER #MDJ00050 FOR FLEXIBLE COUPLING ONLY.

DRAWING REVISION HISTORY LISTING

PART NO: T5000301
DESCRIPTION: TracStar 500 DIESEL POWER PACK ASSEMBLY

<u>APPR.</u>	<u>REV</u>	<u>DATE</u>	<u>BY</u>	<u>DESCRIPTION OF REVISION</u>
DWP	A	10/26/98	AH	DELETED THREE #11 (MBE00025) LOCK WASHERS OUT OF ITEM #14 (MDJ00049) COUPLING ASSEMBLY, AND ADDED LOCKTITE #242 IN THEIR PLACE.
DWP	B	12/30/99	MRP	ADDED ITEM 33 (MJQ00355) FOAM TAPE.
TLW	C	1/31/00	MLM	ADDED NOTE 4 FOR REPLACEMENT FILTERS.
TLW	----	6/29/00	PB	ADDED NOTE 5 FOR REPLACEMENT ENGINE PARTS.
DWP	D	08/17/01	BWW	REVISED TO CHANGE QTY OF ITEM 4 FROM 6 TO 4 AND CREATE ITEM 34 MAL00007 QTY 2. CHANGE MADE TO SIMPLIFY A HOLE TAPPING STEP DURING ASSEMBLY.
SWB	E	05/13/02	BWW	REVISED ITEM 20 FROM T5013201 TO T5013206. FRONT ENGINE MOUNT IS NOW MACHINED INSTEAD OF WELDED FOR BETTER ALIGNMENT OF PUMP & MOTOR.
SWB	F	08/12/04	BWW	REVISED ITEM 14 FROM MDJ00049 TO MDJ00061. COUPLING ADAPTER WAS SEPARATED FROM COUPLING ASSEMBLY AND ADDED AS ITEM 35 T5033101 TO ALLOW COUPLING TO BE USED ELSEWHERE WITH DIFFERENT ADAPTER TO BE SOURCED SEPARATELY. ADDED NOTE 6 AND FLAG NOTE FOR ORDERING REPLACEMENT FLEXIBLE COUPLING.