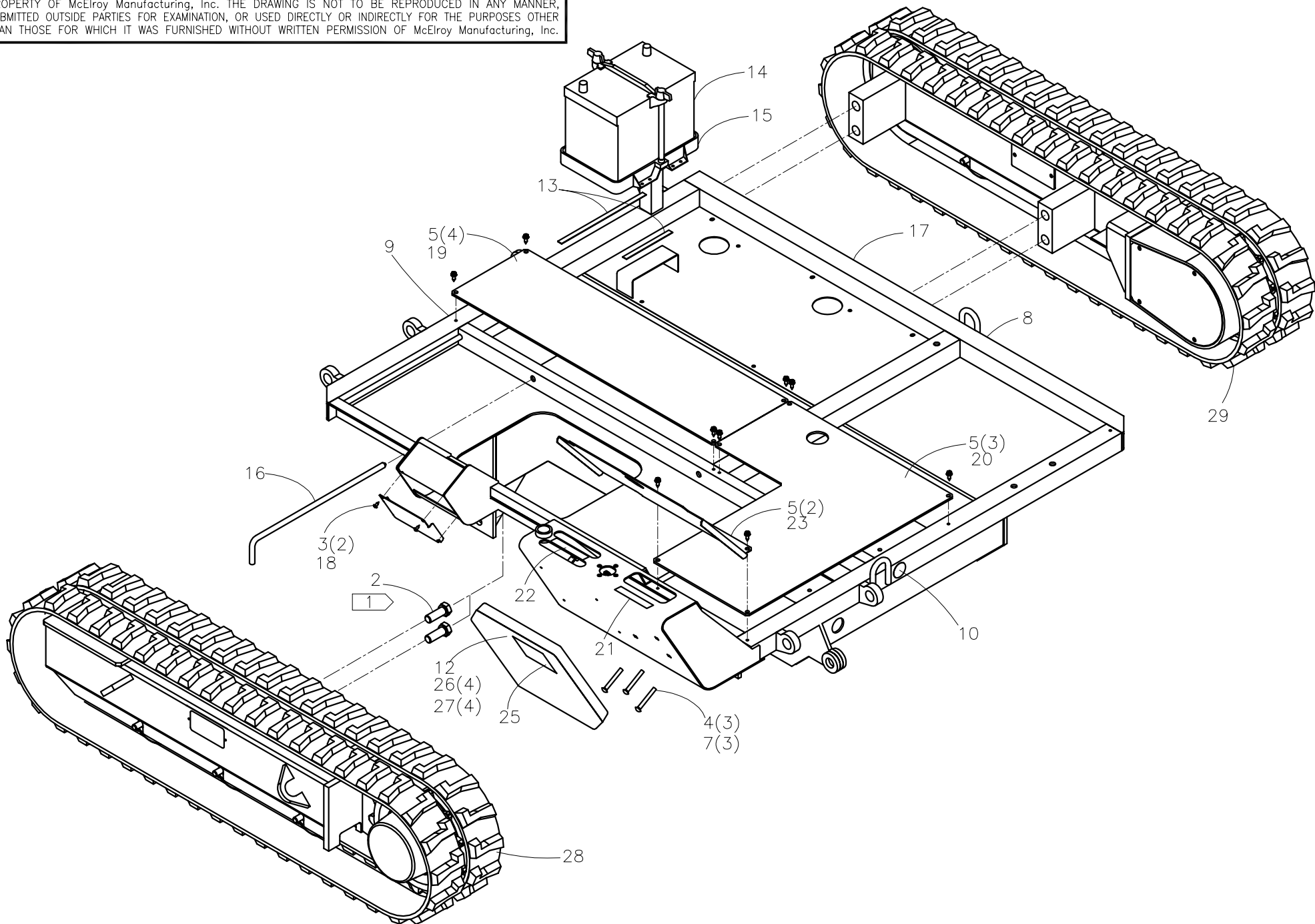




**McElroy Manufacturing, Inc.**  
The leader by design.  
Tulsa, Oklahoma U.S.A.

DRAWN: AH	CHECK: DWP	APPRV'D: JRP	DATE: 4/3/98	DWG No: T5000200	SHT No: 1	REV No: F	PART No: T5000201
TracStar 500 CHASSIS ASSEMBLY							CAD No: T5000201

NOTE: THIS DRAWING AND THE INFORMATION CONTAINED THEREIN IS THE CONFIDENTIAL AND PROPRIETARY PROPERTY OF McElroy Manufacturing, Inc. THE DRAWING IS NOT TO BE REPRODUCED IN ANY MANNER, SUBMITTED OUTSIDE PARTIES FOR EXAMINATION, OR USED DIRECTLY OR INDIRECTLY FOR THE PURPOSES OTHER THAN THOSE FOR WHICH IT WAS FURNISHED WITHOUT WRITTEN PERMISSION OF McElroy Manufacturing, Inc.



## TracStar 500 CHASSIS ASSEMBLY

### Parts List

ITEM	PART NO.	QTY.	DESCRIPTION
	<b>T5000201</b>		<b>ASSEMBLY</b>
1			
2	MAB00141	8	#10-24NCX1/2LG HWH THREAD FORMING SCREW
3	MAH00111	2	#10-24NCX1/2LG HWH THREAD FORMING SCREW
4	MAI00003	3	5/16-18NC X 2-1/2 LG CARRIAGE BOLT
5	MAL00007	9	1/4-20NC X 3/4 LG HWH THREAD FORMING SCREW STL PL
6			
7	MBC00052	3	5/16-18NC PREVAILING TORQUE LOCK NUT PL
8	MJQ00366	1	LIFT POINT LABEL
9	MJQ00379	1	LIFT POINT LABEL
10	MJQ00380	1	LIFT POINT LABEL
11			
12	MJQ00260	1	STANDARD 8-1/2" X 11" LITERATURE COMPARTMENT
13	MJU00001	1.5FT	VHB TAPE
14	MKG00017	1	12V, 900CCA BATTERY
15	MLN00411	1	BATTERY HOLD-DOWN TRAY
16	T5009501	1	CARRIAGE LOCK
17	T5013401	1	CHASSIS WELDMENT
18	T5013506	1	WORK LIGHT COVER PLATE
19	T5015701	1	DECK PLATE
20	T5015901	1	COVER PLATE
21	T5022701	1	PIPE LIFT LABEL
22	T5022801	1	SECONDARY TRACK CONTROL LABEL
23	T5024701	1	PENDANT BRACKET COVER PLATE
24			
25	816342	1	SAFETY INSTRUCTIONS MANUAL LABEL
26	MBF00004	4	#10 TYPE 'A' WIDE FLAT WASHER STL PL
27	MCK00003	4	3/16 X 3/8 GRIP BLIND RIVET
28	T5020001	1	LEFT TRACK WELDMENT
29	T5020101	1	RIGHT TRACK WELDMENT

#### NOTES:

1. INSTALL WITH LOCTITE #242.

## DRAWING REVISION HISTORY LISTING

**PART NO:** T5000201  
**DESCRIPTION:** TracStar 500 CHASSIS ASSEMBLY

<u>APPR.</u>	<u>REV</u>	<u>DATE</u>	<u>BY</u>	<u>DESCRIPTION OF REVISION</u>
TLW	A	12/09/98	RLE	REMOVED ITEM #11 (4) MCK00008, 1/8 DIA. x 1/2 GRIP BLIND RIVET, USED TO ATTACH ITEM #24 841201, NAMEPLATE. NAMEPLATE NOW COMES WITH ADHESIVE BACKING.
TLW	B	8/6/99	DJL	REVISED TO REMOVE ITEM 13 MJU00001(VHB TAPE) AND ADD ITEMS 26 & 27 TO SECURE LITERATURE COMPARTMENT.
TLW	C	3/27/00	MRP	ADDED ITEM 13 MJU00001 (VHB TAPE).
TLW	D	01/03/01	BWW	REVISED TO REMOVE ITEM #24 841201 MCELROY NAMEPLATE. ADDED ITEMS #28 T5020001 QTY 1 LEFT TRACK WELDMENT AND #29 T5020101 QTY 1 RIGHT TRACK WELDMENT. ADDED NOTE 1 AND LOCATOR AT ITEM #2.
BWJ	E	01/28/02	BWW	REVISED TO REMOVE ITEMS 1 MAB00033 AND 10 MBE00006. PARTS MOVED TO PENDANT ARM ASSEMBLY.
LAA	F	03/08/02	BWW	REVISED TO ADD NEW ITEMS 8 MJQ00366 QTY 1, 9 MJQ00379, QTY 1, AND 10 MJQ00380 QTY 1. LIFT LABELS ADDED TO COLOR CODE LIFT POINTS TO ALLOW CUSTOMER TO MORE EASILY IDENTIFY LIFT POINTS. UPDATED LEFT AND RIGHT TRACK WELDMENTS TO SHOW TIE DOWN LUGS.