



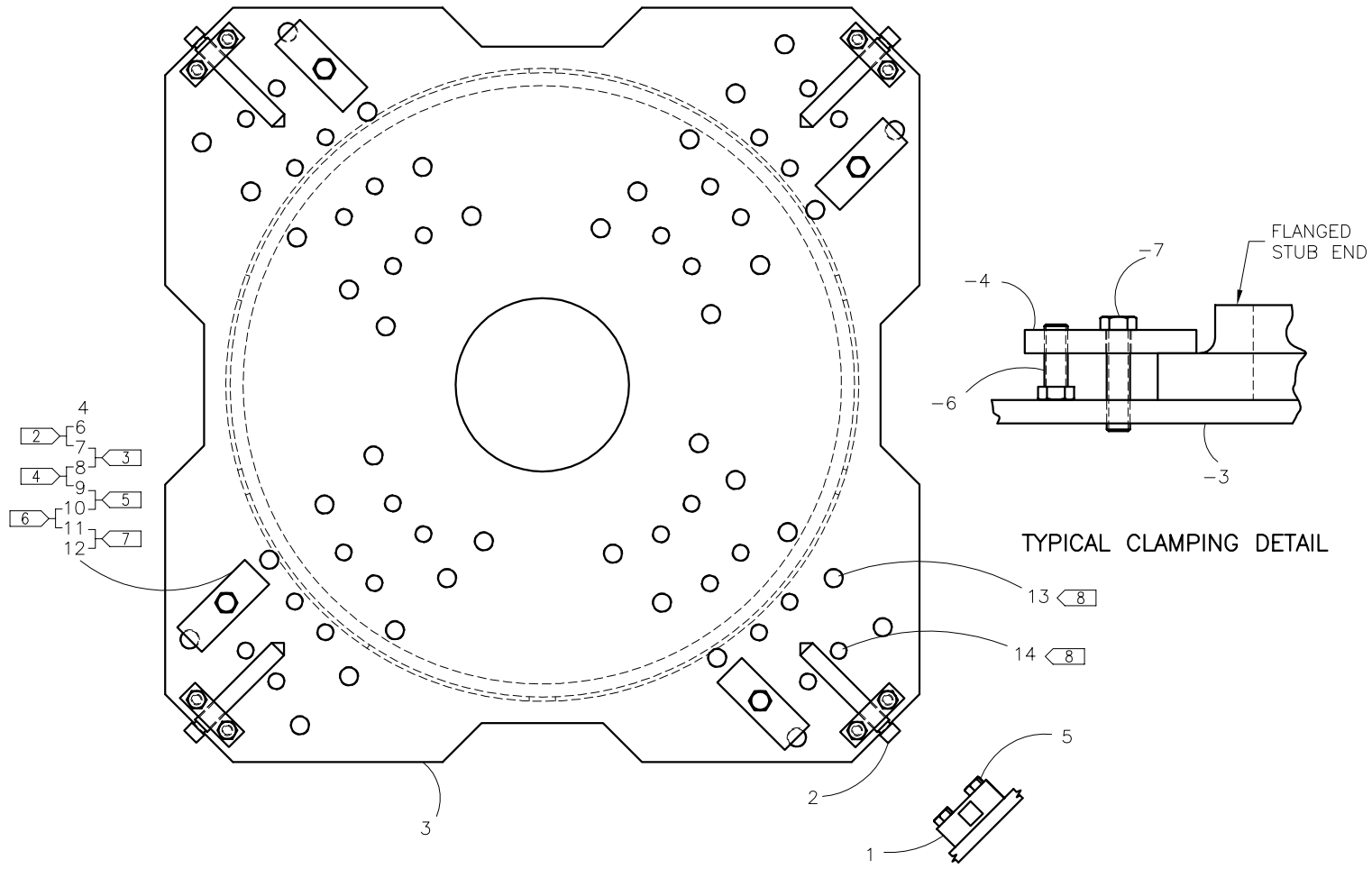
McElroy Manufacturing, Inc.
 The leader by design.
 Tulsa, Oklahoma U.S.A.

| | | | | | | |
|------------|------------|--------------|--------------|-----------|-----------|------------------|
| DRAWN: MLM | CHECK: SWB | APPRV'D: SWB | DATE: 2/7/05 | SHT No: 7 | REV No: A | PART No: 1808507 |
|------------|------------|--------------|--------------|-----------|-----------|------------------|

#618/TracStar®500 ALUMINUM STUB END HOLDER ASSEMBLY

NOTE: THIS DRAWING AND THE INFORMATION CONTAINED THEREIN IS THE CONFIDENTIAL AND PROPRIETARY PROPERTY OF McElroy Manufacturing, Inc. THE DRAWING IS NOT TO BE REPRODUCED IN ANY MANNER, SUBMITTED OUTSIDE PARTIES FOR EXAMINATION, OR USED DIRECTLY OR INDIRECTLY FOR THE PURPOSES OTHER THAN THOSE FOR WHICH IT WAS FURNISHED WITHOUT WRITTEN PERMISSION OF McElroy Manufacturing, Inc.

- NOTES:
1. MAX. FLANGE DIA. = 23.03 . 500MM STUB ENDS MAY REQUIRE MODIFICATION FOR USE IN TracStar® 500 FUSION MACHINE.
 2. USE ITEMS 6 & 7 FOR FLANGED STUD ENDS THAT ARE LESS THAN 3/4" THICK.
 3. USE ITEMS 7 & 8 FOR FLANGED STUD ENDS THAT ARE 3/4" TO LESS THEN 1 1/4" THICK.
 4. USE ITEMS 8 & 9 FOR FLANGED STUD ENDS THAT ARE 1 1/4" TO LESS THAN 1 3/4" THICK.
 5. USE ITEMS 9 & 10 FOR FLANGED STUD ENDS THAT ARE 1 3/4" TO LESS THAN 2 1/4" THICK.
 6. USE ITEMS 10 & 11 FOR FLANGED STUD ENDS THAT ARE 2 1/4" TO LESS THAN 2 3/4" THICK.
 7. USE ITEMS 11 & 12 FOR FLANGED STUD ENDS THAT ARE 2 3/4" TO LESS THAN 3 1/4" THICK.
 8. INSTALL FULSH OR BELOW.



#618/TracStar® 500 ALUMINUM STUB END HOLDER ASSEMBLYParts List

| ITEM | PART NO. | QTY. | DESCRIPTION |
|------|----------------|------|----------------------------------|
| | 1808507 | | ASSEMBLY |
| 1 | 805401 | 4 | STUB END HOLDER CLAMP BLOCK |
| 2 | 805703 | 4 | STUB END HOLDER ADJUSTMENT SCREW |
| 3 | 1808508 | 1 | ALUMINUM STUB END HOLDER |
| 4 | 1808506 | 4 | STUB END CLAMP |
| 5 | MAB00033 | 8 | 5/16-18NC X 1" LG HHCS |
| 6 | MAB00064 | 4 | 3/8-16NC X 1" LG HHCS |
| 7 | MAB00066 | 4 | 3/8-16NC X 1 1/2" LG HHCS |
| 8 | MAB00068 | 4 | 3/8-16NC X 2" LG HHCS |
| 9 | MAB00071 | 4 | 3/8-16NC X 2 1/2" LG HHCS |
| 10 | MAB00094 | 4 | 3/8-16NC X 3" LG HHCS |
| 11 | MAB00072 | 4 | 3/8-16NC X 3 1/2" LG HHCS |
| 12 | MAB00073 | 4 | 3/8-16NC X 4" LG HHCS |
| 13 | MJM00003 | 40 | KEENSERT 3/8-16NC |
| 14 | MJM00007 | 40 | KEENSERT 5/16-18NC |

DRAWING REVISION HISTORY LISTING

PART NO: 1808507

DESCRIPTION: #618/TracStar® ALUMINUM STUB END HOLDER ASSEMBLY

| <u>APPR.</u> | <u>REV</u> | <u>DATE</u> | <u>BY</u> | <u>DESCRIPTION OF REVISION</u> |
|--------------|------------|-------------|-----------|---------------------------------|
| SWB | A | 11/28/05 | JAB | MOVED NOTES TO FACE OF DRAWING. |