

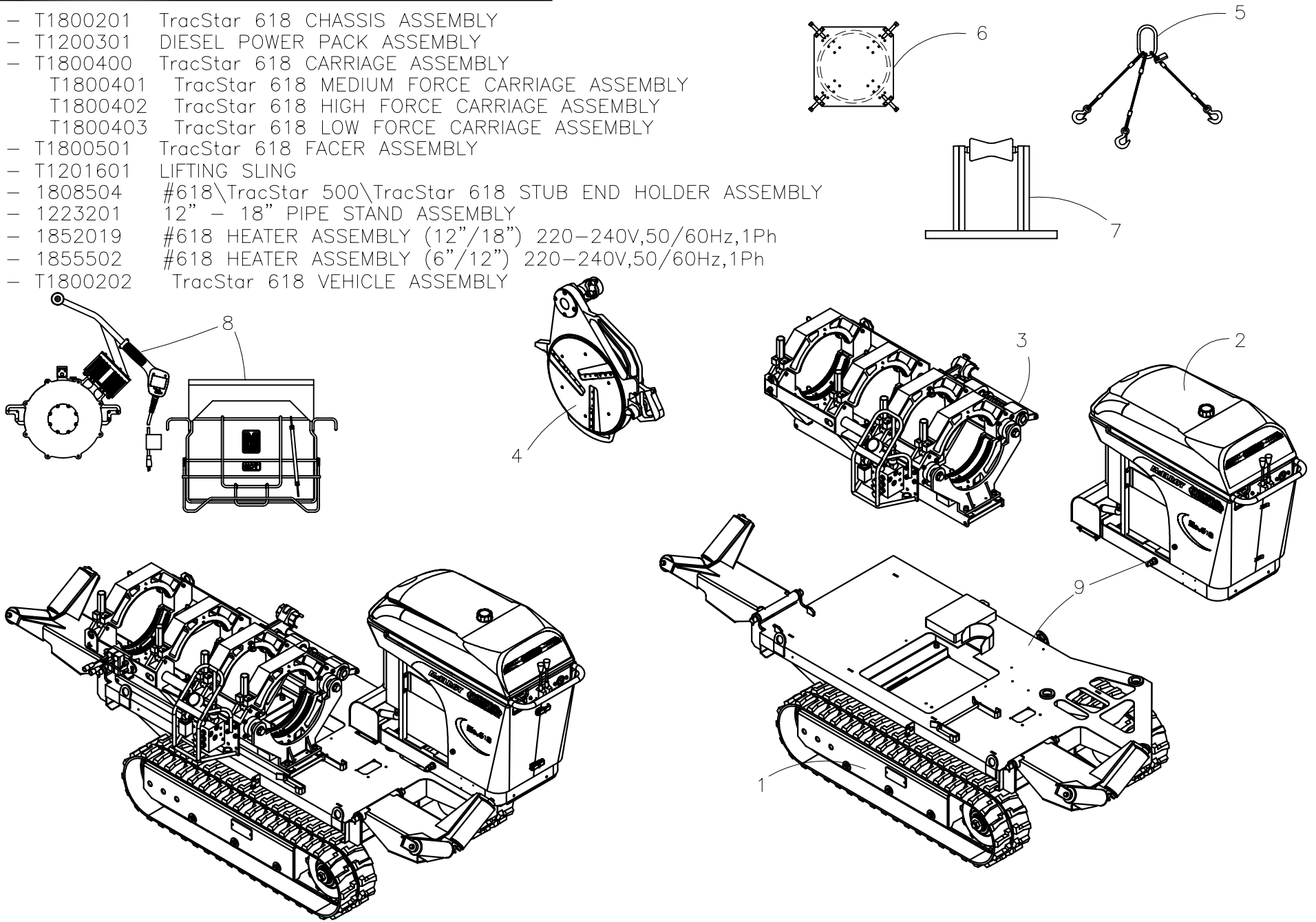


McElroy Manufacturing, Inc.
 The leader by design.
 Tulsa, Oklahoma U.S.A.

| | | | | | | | |
|--|------------|---------------|----------------|---------|---------|-----------|------------------|
| DRAWN: BWW | CHECK: DWP | APPR'V'D: JRP | DATE: 08/28/01 | DWG No: | SHT No: | REV No: A | PART No: |
| TracStar 618 FUSION MACHINE GROUPING FOR T1800100 ASSEMBLIES | | | | | | | CAD No: _ASSYT18 |

NOTE: THIS DRAWING AND THE INFORMATION CONTAINED THEREIN IS THE CONFIDENTIAL AND PROPRIETARY PROPERTY OF McElroy Manufacturing, Inc. THE DRAWING IS NOT TO BE REPRODUCED IN ANY MANNER, SUBMITTED OUTSIDE PARTIES FOR EXAMINATION, OR USED DIRECTLY OR INDIRECTLY FOR THE PURPOSES OTHER THAN THOSE FOR WHICH IT WAS FURNISHED WITHOUT WRITTEN PERMISSION OF McElroy Manufacturing, Inc.

- 1 - T1800201 TracStar 618 CHASSIS ASSEMBLY
- 2 - T1200301 DIESEL POWER PACK ASSEMBLY
- 3 - T1800400 TracStar 618 CARRIAGE ASSEMBLY
 - T1800401 TracStar 618 MEDIUM FORCE CARRIAGE ASSEMBLY
 - T1800402 TracStar 618 HIGH FORCE CARRIAGE ASSEMBLY
 - T1800403 TracStar 618 LOW FORCE CARRIAGE ASSEMBLY
- 4 - T1800501 TracStar 618 FACER ASSEMBLY
- 5 - T1201601 LIFTING SLING
- 6 - 1808504 #618\TracStar 500\TracStar 618 STUB END HOLDER ASSEMBLY
- 7 - 1223201 12" - 18" PIPE STAND ASSEMBLY
- 8 - 1852019 #618 HEATER ASSEMBLY (12"/18") 220-240V,50/60Hz,1Ph
- 8 - 1855502 #618 HEATER ASSEMBLY (6"/12") 220-240V,50/60Hz,1Ph
- 9 - T1800202 TracStar 618 VEHICLE ASSEMBLY



DRAWING REVISION HISTORY LISTING

PART NO: _ASSYT18

DESCRIPTION: TracStar 618 FUSION MACHINE GROUPING FOR T1800100 ASSEMBLIES

| <u>APPR.</u> | <u>REV</u> | <u>DATE</u> | <u>BY</u> | <u>DESCRIPTION OF REVISION</u> |
|--------------|------------|-------------|-----------|--|
| TMT | A | 05/22/02 | BWW | REVISED TO REPLACE 1852001 WITH 1852019 TO SHOW NEW HEATER ASSEMBLY WITH ELECTRONIC CONTROL AND ADD 1855502 WHICH WAS LEFT OFF OF DRAWING. |