



McElroy Manufacturing, Inc.
 The leader by design.
 Tulsa, Oklahoma U.S.A.

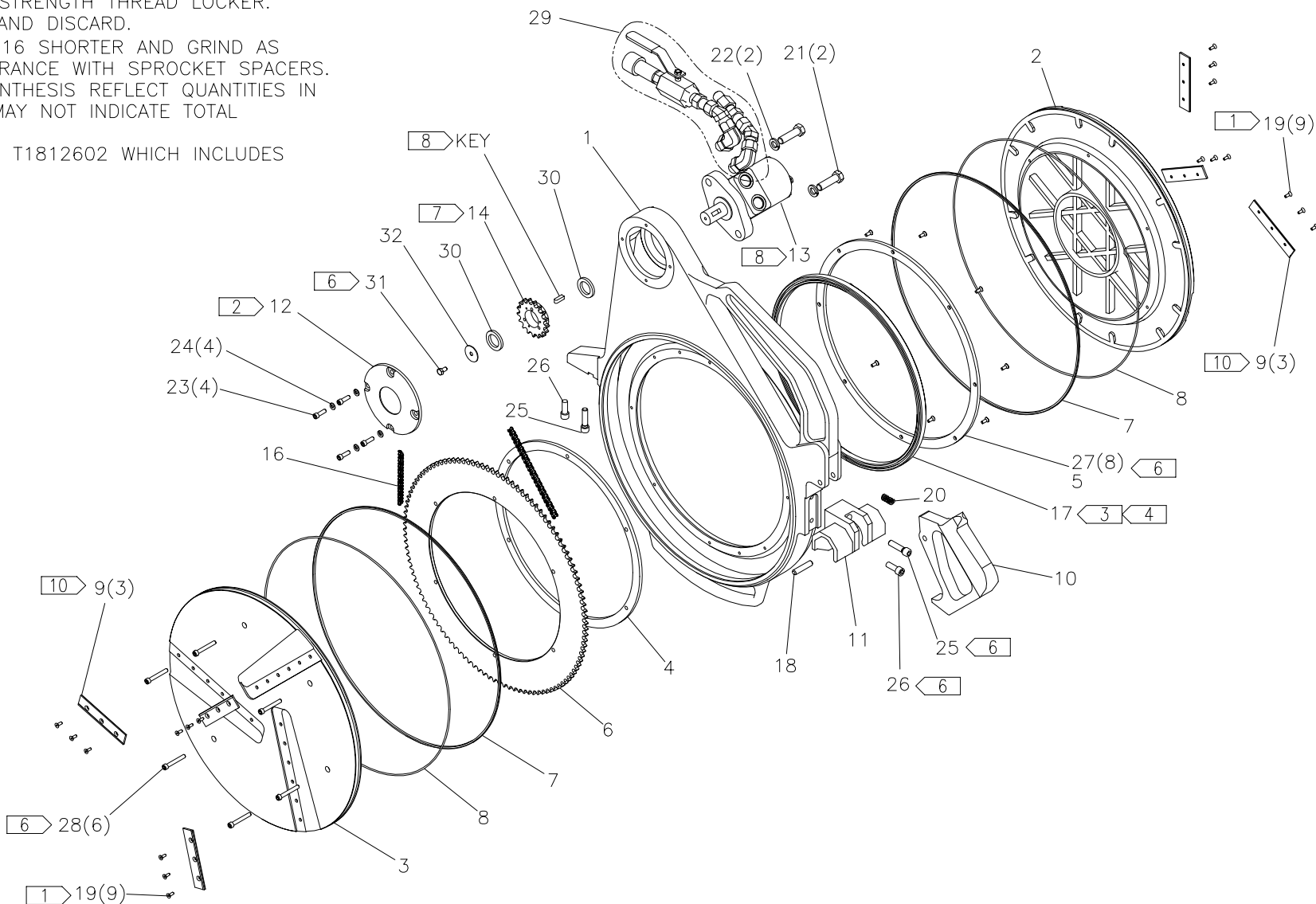
DRAWN: BWW CHECK: DWP APPR'D: JRP DATE: 04/17/01 SHT No: 1 REV No: K PART No: T1800501

TracStar® 618 FACER ASSEMBLY

NOTE: THIS DRAWING AND THE INFORMATION CONTAINED THEREIN IS THE CONFIDENTIAL AND PROPRIETARY PROPERTY OF McElroy Manufacturing, Inc. THE DRAWING IS NOT TO BE REPRODUCED IN ANY MANNER, SUBMITTED OUTSIDE PARTIES FOR EXAMINATION, OR USED DIRECTLY OR INDIRECTLY FOR THE PURPOSES OTHER THAN THOSE FOR WHICH IT WAS FURNISHED WITHOUT WRITTEN PERMISSION OF McElroy Manufacturing, Inc.

NOTES:

1. INSTALL WITH HIGH TEMP ANTI-SEIZE COMPOUND.
2. INSTALL WITH GASKET SEALER.
3. INSTALL WITH A RETAINING COMPOUND USING A COMPATIBLE CLEANER FIRST.
4. PACK BEARINGS WITH EP GREASE.
5. FILL FACER CAVITY 2/3 FULL WITH EP GREASE.
6. INSTALL WITH MEDIUM STRENGTH THREAD LOCKER.
7. REMOVE SET SCREWS AND DISCARD.
8. CUT PROVIDED KEY 3/16 SHORTER AND GRIND AS NECESSARY FOR CLEARANCE WITH SPROCKET SPACERS.
9. ITEMS SHOWN IN PARENTHESIS REFLECT QUANTITIES IN A LOCAL GROUP AND MAY NOT INDICATE TOTAL ASSEMBLY QUANTITIES.
10. FOR BLADE SET ORDER T1812602 WHICH INCLUDES (6) T1812601.



TracStar® 618 FACER ASSEMBLY

PARTS LIST

ITEM	PART NO.	QTY	DESCRIPTION
	T1800501		Assembly
1	T1802002	1	FACER BODY
2	T1802102	1	TAPPED BLADE HOLDER
3	T1802103	1	C'BORED BLADE HOLDER
4	T1802301	1	FACER SPACER RING
5	T1802401	1	FACER BEARING RETAINER
6	T1802201	1	DRIVEN SPROCKET
7	1838201	2	FACER SLIPPER SEAL
8	T1802502	2	BLADE HOLDER O'RING
9	T1812601	6	FACER BLADE 9.12 LG
10	T5008801	1	LATCH HANDLE
11	T5004903	1	TracStar 618 FACER GUIDE ROD BRACKET
12	1231102	1	COVER PLATE
13	MEC00004	1	HYDRAULIC MOTOR
14	MDF00028	1	1B, 1/4 KEY, #40BS17 CHAIN SPROCKET
15			
16	AT1802601	1	FACER ROLLER CHAIN ASSEMBLY
17	MDM00308	1	BEARING
18	MCK00017	1	3/8 x 1-3/4 LG. LOCK PIN
19	MAH00074	18	#8-32 NC x 3/8 LG FHSCS SS
20	MJE00008	1	DIE SPRING
21	MAB00104	2	1/2-13NC x 1-3/4 LG HHCS
22	MBE00009	2	1/2 REGULAR SPLIT LOCK WASHER
23	MAH00052	4	1/4-20NC x 3/4 LG SHCS SS
24	MBE00005	4	1/4 REGULAR SPLIT LOCK WASHER
25	MAH00078	2	3/8-16NC x 1-1/2 LG SHCS SS
26	MAN00009	2	3/8-16NC x 1 LG SHCS SS
27	MAD00044	8	1/4-20NC x 3/4 LG FHSCS
28	MAH00051	6	1/4-20NC x 1-3/4 LG SHCS SS
29	T1801201	1	FACER HYDRAULIC/PLUMBING SCHEMATIC
30	1835401	2	DRIVE SPROCKET SPACER
31	MAB00002	1	1/4-20NC x 1/2 LG HHCS
32	MBG00031	1	1/4" FENDER WASHER

DRAWING REVISION HISTORY LISTING

PART NO: T1800501
DESCRIPTION: TracStar 618 FACER ASSEMBLY

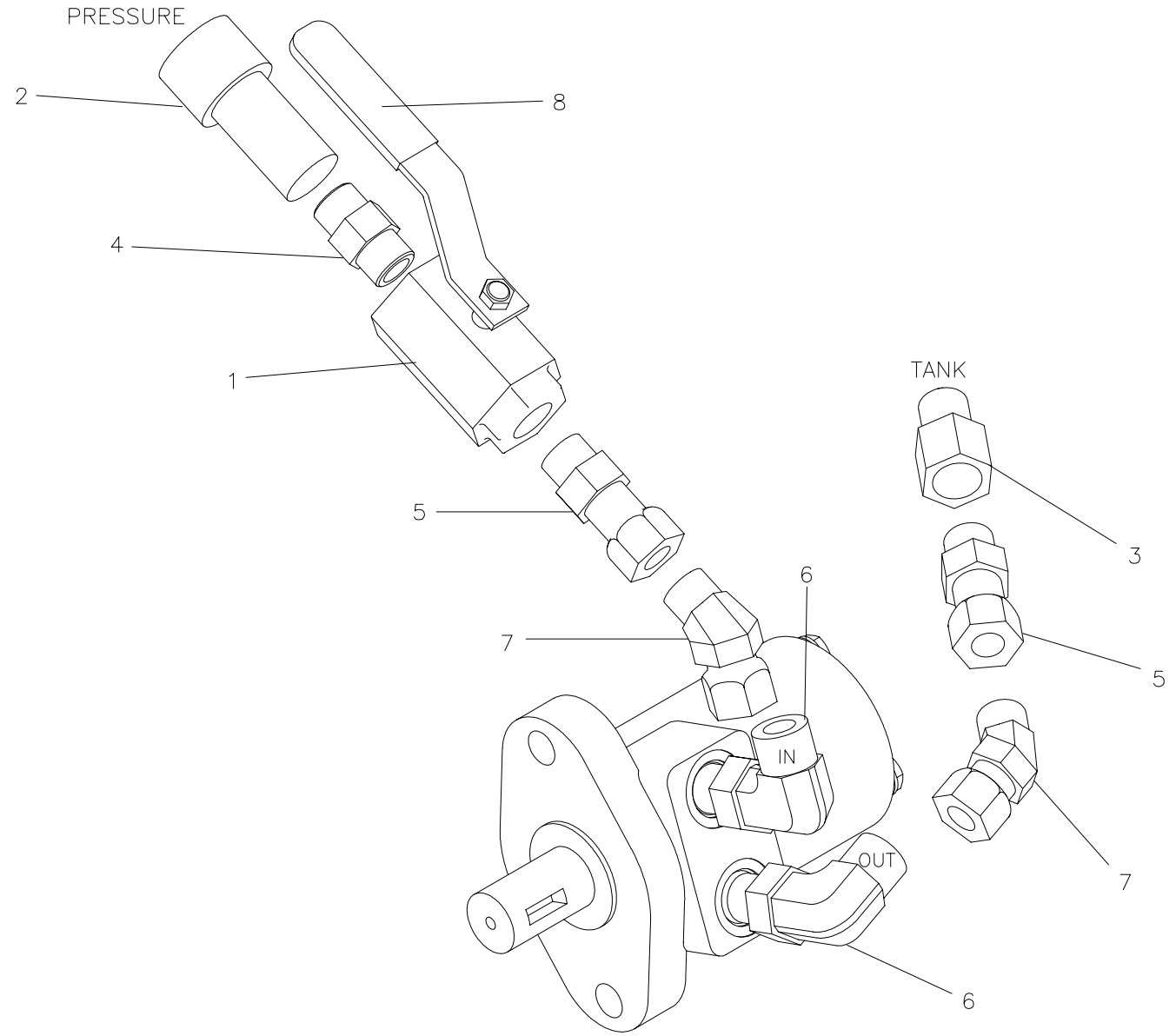
<u>APPR.</u>	<u>REV</u>	<u>DATE</u>	<u>BY</u>	<u>DESCRIPTION OF REVISION</u>
BWJ	-	08/09/01	BWW	CHANGED ITEM 27 FROM MAD00031 #10 SCREW TO MAD00044 1/4-20 SCREW. THREADS IN MATING PART ARE 1/4-20.
BWJ	A	08/23/01	RLE	REVISED ITEM 14 FROM MDF00018 TO MDF00028, DELETED ITEM 15 MDH00019, ADDED ITEM 30 1835401, ITEM 31 MAB00002 & ITEM 32 MBG00031 & DELETED NOTE 6, CHANGED FROM OD BUSHING & SPROCKET TO STRONGER TYPE B SPROCKET. REVISED ITEM 21 FROM MAB00069 TO MAB00104 FOR MORE THREAD ENGAGEMENT.
BWJ	--	08/29/01	RLE	REVISED ITEM 7 FROM T1802501 BLADE HOLDER SEAL TO 1838201 FACER SLIPPER SEAL.
DWP	B	11/21/01	RLE	ADDED ITEM #33 MJM00003, KEENSERT, QTY. (2).
DWP	--	03/18/02	BWW	CHANGED PART NUMBER OF FACER HYDRAULIC/PLUMBING SCHEMATIC FROM T1201201 TO T1801201. CHANGE MADE DUE TO NEW FITTINGS ON FACER MOTOR.
LAA	C	5/13/02	ALK	ADDED NOTE 6 REMOVE SET SCREWS AND DISCARD & NOTE 7 CUT PROVIDED KEY 3/16 SHORTER TO CLARIFY ASSEMBLY PROCESSES.
SWB	D	05/15/02	BWW	REVISED ITEM 25 MAH00078 FROM QTY 1 TO 2 AND ITEM 26 MAN00009 QTY FROM 3 TO 2. CHANGES MADE TO COINCIDE WITH C'BORE CHANGES TO T1802702 REV. D FACER ATTACHMENT ARM.
SWB	E	08/23/02	BWW	REVISED TO REMOVE ITEM 33 MJM00003 KEENSERT. PARTS MOVED TO T1802002 FACER BODY.
LAA	F	02/05/03	BWW	REVISED TO SHOW KEY AND UPDATE NOTE 7 TO MATCH ASSEMBLY PROCEDURE.
LAA	G	3/14/03	ALK	CHANGED ITEM-11 FROM T5004901 (FACER GUIDE ROD BRACKET) TO T5004903 (TracStar 618 FACER GUIDE ROD BRACKET) TO ALLOW CLEARANCE FOR HEATER. CORRECTED LOCATION OF ITEMS 25 & 26.
SWB	H	3/24/03	RLE	REVISED NOTES TO AGREE WITH ENGINEERING STANDARDS.
SWB	J	08/29/05	BWW	MOVED NOTES TO DRAWING FACE AND ADDED NOTE 9 & 10. ADDED FACER SCHEMATIC PARTS OF T1801201 TO DRAWING FOR CLARITY.
SWB	K	02/01/06	JAB	REVISED BLADE FROM T1208601 TO T1812601 TO ELIMINATE SHIFTING FOR CHANGES IN ID AND OD OF PIPE.



McElroy Manufacturing, Inc.
The leader by design.
Tulsa, Oklahoma U.S.A.

DRAWN: BWW	CHECK: DWP	APPRV'D: JRP	DATE: 03/12/02	DWG No: T1801200	SHT No: 1	REV No: B	PART No: T1801201
FACER HYDRAULIC/PLUMBING SCHEMATIC							CAD No: T1801201

NOTE: THIS DRAWING AND THE INFORMATION CONTAINED THEREIN IS THE CONFIDENTIAL AND PROPRIETARY PROPERTY OF McElroy Manufacturing, Inc. THE DRAWING IS NOT TO BE REPRODUCED IN ANY MANNER, SUBMITTED OUTSIDE PARTIES FOR EXAMINATION, OR USED DIRECTLY OR INDIRECTLY FOR THE PURPOSES OTHER THAN THOSE FOR WHICH IT WAS FURNISHED WITHOUT WRITTEN PERMISSION OF McElroy Manufacturing, Inc.



FACER HYDRAULIC/PLUMBING SCHEMATICParts List

ITEM	PART NO.	QTY.	DESCRIPTION
	T1801201		ASSEMBLY
1	MEI00015	1	BALL VALVE
2	MFH00045	1	1/2FSAE QUICK DISCONNECT COUPLER
3	MFH00046	1	1/2FSAE QUICK DISCONNECT NIPPLE
4	MFQ00004	1	8MSAE/8MSAE ADAPTER
5	MFQ00021	2	8FSL/8MSAE SWIVEL ADAPTER
6	MFQ00022	2	8MSL/10MSAE ELBOW
7	MFQ00051	2	8FSL/8MSL ELBOW 45
8	816302	1	FACER VALVE LABEL CAP

DRAWING REVISION HISTORY LISTING

PART NO: T1801201
DESCRIPTION: FACER HYDRAULIC/PLUMBING SCHEMATIC

<u>APPR.</u>	<u>REV</u>	<u>DATE</u>	<u>BY</u>	<u>DESCRIPTION OF REVISION</u>
SWB	A	05/03/04	BWW	REVISED DRAWING TO ADD ITEM 8, 816302 QTY 1 TO MATCH AS BUILT CONDITION.
SWB	B	06/15/05	BWW	CREATED ISOMETRIC VIEW FOR CLARITY.