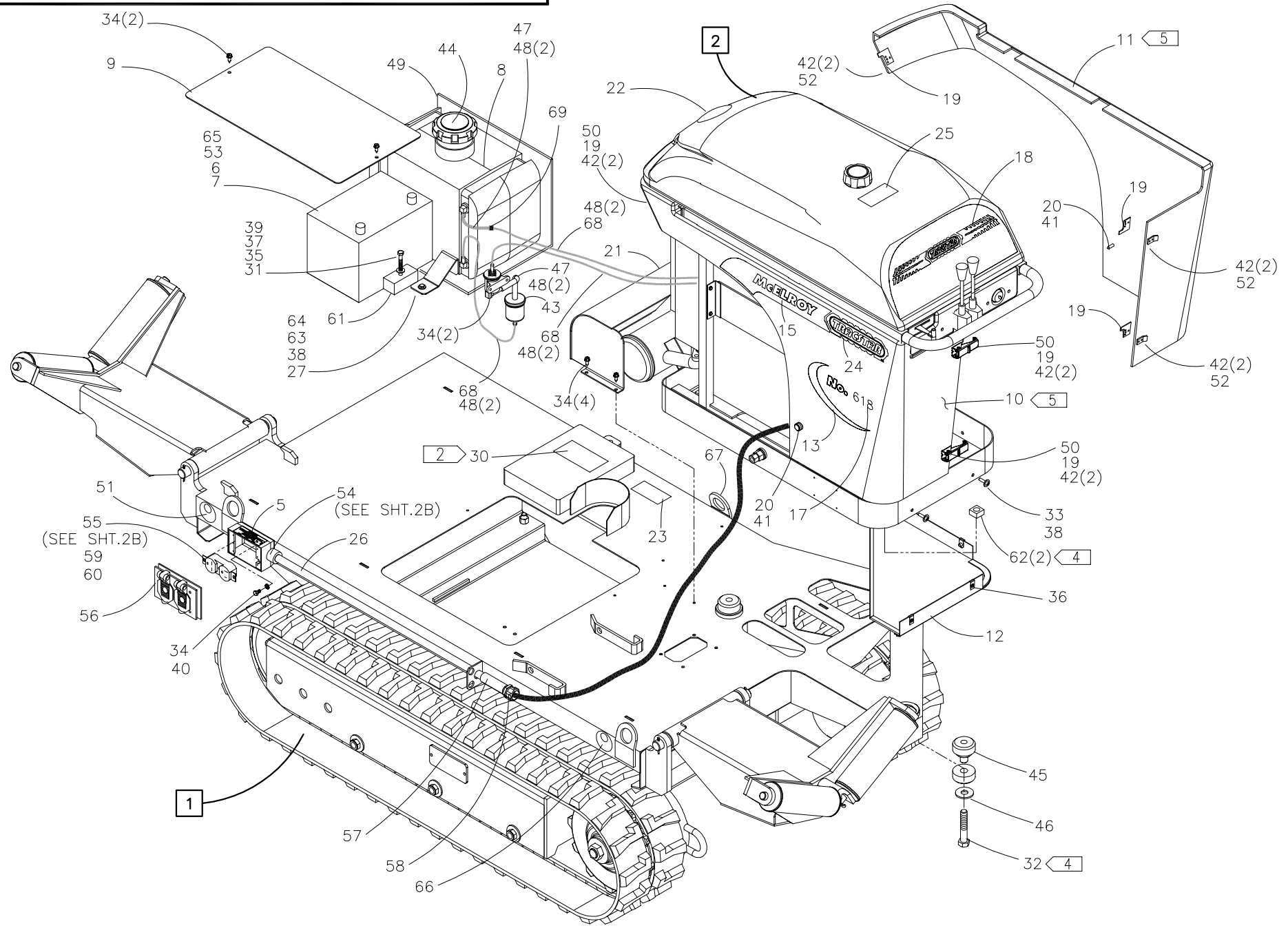




McElroy Manufacturing, Inc.
 The leader by design.
 Tulsa, Oklahoma U.S.A.

DRAWN: BWW	CHECK: DWP	APPR'D: JRP	DATE: 06/27/01	DWG No: T1800200	SHT No: 2A	REV No: E	PART No: T1800202
TracStar 618 VEHICLE ASSEMBLY							CAD No: T1800202

NOTE: THIS DRAWING AND THE INFORMATION CONTAINED THEREIN IS THE CONFIDENTIAL AND PROPRIETARY PROPERTY OF McElroy Manufacturing, Inc. THE DRAWING IS NOT TO BE REPRODUCED IN ANY MANNER, SUBMITTED OUTSIDE PARTIES FOR EXAMINATION, OR USED DIRECTLY OR INDIRECTLY FOR THE PURPOSES OTHER THAN THOSE FOR WHICH IT WAS FURNISHED WITHOUT WRITTEN PERMISSION OF McElroy Manufacturing, Inc.



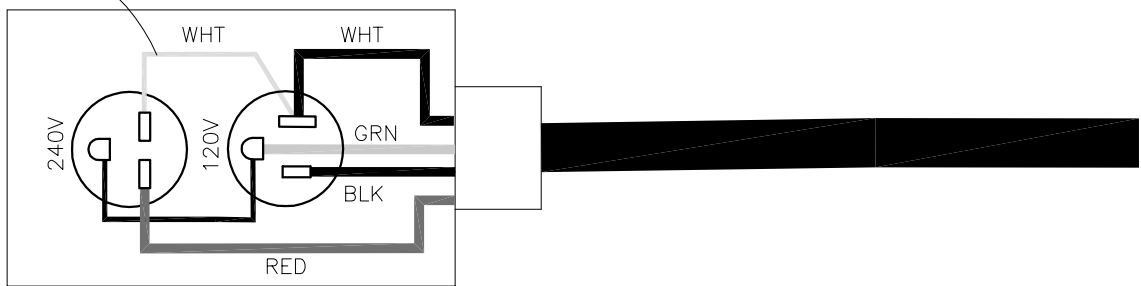


McElroy Manufacturing, Inc.
 The leader by design.
 Tulsa, Oklahoma U.S.A.

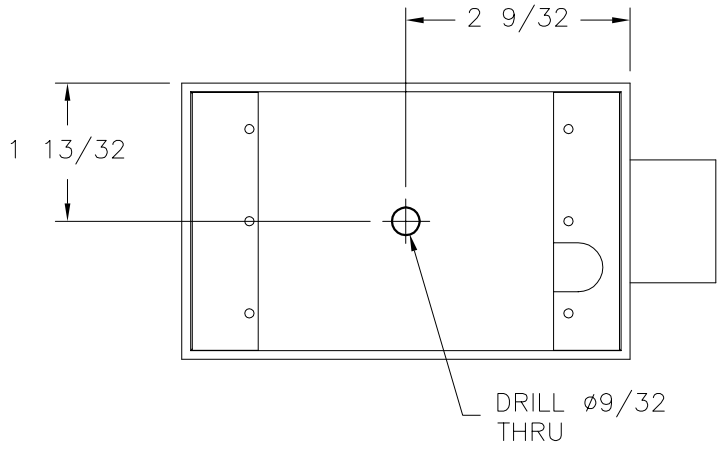
DRAWN: BWW	CHECK: DWP	APPRV'D: JRP	DATE: 06/27/01	DWG No: T1800200	SHT No: 2B	REV No: E	PART No: T1800202
TracStar 618 VEHICLE ASSEMBLY							CAD No: T1800202

NOTE: THIS DRAWING AND THE INFORMATION CONTAINED THEREIN IS THE CONFIDENTIAL AND PROPRIETARY PROPERTY OF McElroy Manufacturing, Inc. THE DRAWING IS NOT TO BE REPRODUCED IN ANY MANNER, SUBMITTED OUTSIDE PARTIES FOR EXAMINATION, OR USED DIRECTLY OR INDIRECTLY FOR THE PURPOSES OTHER THAN THOSE FOR WHICH IT WAS FURNISHED WITHOUT WRITTEN PERMISSION OF McElroy Manufacturing, Inc.

-59



3 ITEM 55 WIRING



ITEM 54 MODIFICATION

TracStar® 618 VEHICLE ASSEMBLY

Parts List

ITEM	PART NO.	QTY.	DESCRIPTION
	T1800202		ASSEMBLY
1	<u>T1800201</u>	1	<u>TracStar 618 CHASSIS ASSEMBLY</u>
2	<u>T1200301</u>	1	<u>DIESEL POWER PACK ASSEMBLY</u>
5	T1201702	1	VOLTAGE LABEL
6	T1201901	1	RED BATTERY CABLE MODIFICATION
7	T1201902	1	BLACK BATTERY CABLE MODIFICATION
8	T1203901	1	FUEL TANK
9	T1803401	1	BATTERY COVER
10	T1204701	1	LEFT COWL
11	T1204801	1	RIGHT COWL
12	T1206801	1	BELT GUARD WELDMENT
13	T1210001	1	LEFT SWOOSH LABEL
14	T1210101	1	RIGHT SWOOSH LABEL (NOT SHOWN)
15	T1210201	1	LEFT SIDE LABEL
16	T1210301	1	RIGHT SIDE LABEL (NOT SHOWN)
17	T1803501	2	NO. 618 LABEL
18	T1210502	1	DIESEL DASH LABEL
19	T1211201	6	COWL LATCH BACKUP PLATE
20	MJQ00372	2	FAST LEAD CAPTIVE SCREW
21	T1211401	1	MUFFLER SHROUD WELDMENT
22	T5015602	1	MMI MEDALLION LABEL
23	T5022901	1	DIESEL FUEL ONLY LABEL
24	T5023001	2	SIDE PANEL TracStar LOGO LABEL
25	8163106	1	HYDRAULIC OIL SPECIFICATION LABEL
26	T1212201	1	RIGID CONDUIT
27	T1204601	1	FUEL TANK RETAINER
30	816342	1	SAFETY INSTRUCTION LABEL
31	MAB00036	1	5/16-18NC X 1-3/4"LG HHCS
32	MAB00156	3	5/8-11NC X 3-1/2"LG HHCS
33	MAH00172	4	1/4-20NC X 3/4"LG HWHSMS
34	MAL00007	9	1/4-20NC X 3/4"LG THREAD FORMING SCREW
35	MBA00006	1	5/16-18NC FINISH HEX NUT
36	MBC00054	4	1/4-20NC PREV. TORQUE LOCK CLIP NUT
37	MBE00006	1	5/16 REGULAR SPLIT LOCK WASHER
38	MBF00005	5	1/4" FLAT WASHER
39	MBF00006	1	5/16 TYPE "A" WIDE FLAT WASHER
40	MBG00057	1	1/4" EXTERNAL TOOTH LOCK WASHER
41	MJQ00373	2	NYLON RETAINER FOR MJQ00372
42	MCL00003	12	5/32X3/8 GRIP ALUMINUM BLIND RIVET
43	MDA00059	1	IN-LINE FILTER
44	MDA00098	1	FUEL CAP/GAUGE
45	MDS00004	3	SHOCK MOUNT

TracStar® 618 VEHICLE ASSEMBLY

Parts List

ITEM	PART NO.	QTY.	DESCRIPTION
46	MBF00011	3	5/8 TYPE 'A' WIDE FLAT WASHER
47	MHA00045	1FT	FUEL HOSE 5/16ID(8mm)
48	MHA00049	10	7/32 TO 5/8 HOSE CLAMP (NOT SHOWN)
49	MJQ00353	1	1/8X20X22 NEOPRENE
50	MJQ00365	3	UNDER CENTER DRAW LATCH
51	MJQ00366	1	LIFT POINT LABEL
52	MJQ00368	3	CONCEALED KEEPER
53	MKG00014	1	12V BATTERY
54	MLA00011	1	ELECTRIC BOX
55	MLB00028	1	120/240 DUPLEX RECEPTACLE
56	MLB00029	1	RECEPTACLE COVER
57	MLJ00080	1	1/2" RIGID CONDUIT COUPLING
58	MLK00077	1	1/2" STRAIN RELIEF
59	MLL00052	.3 FT	#14 MTW/TEW ELECTRICAL WIRE, WHITE
60	MLM00172	1	LOCKING FORK TERMINAL
61	MLN00399	1	BATTERY TOE CLAMP
62	MBH00056	2	5/8-11NC SQUARE NUT
63	MAB00003	1	1/4-20NC x 3/4 LG. HHCS
64	MBC00005	1	1/4-20NC FINISHED HEX NYLON LOCK NUT
65	MLN00400	1	BATTERY TERMINAL COVER SET
66	MJQ00379	1	LIFT POINT LABEL
67	MJQ00380	1	LIFT POINT LABEL
68	MHA00044	11FT	FUEL HOSE 3/16ID(4.8mm)
69	MFE00059	1	3/16 X 1/4 HOSE CONNECTOR

NOTES:

1. UNDERLINED NUMBERS ARE SUB-ASSEMBLIES ON SEPARATE DRAWINGS.
2. ATTACH LABEL TO OUTSIDE OF LITERATURE COMPARTMENT FOLDING DOOR.
3. REMOVE COMMONING JUMPER TAB FROM RECEPTACLE.
4. ITEMS TO BE USED TO ATTACH POWER PACK ASSEMBLY TO CHASSIS ASSEMBLY.
INSTALL WITH THREAD LOCKING COMPOUND.
5. ORDER AT1204702 LEFT COWL & AT1204902 RIGHT COWL REPLACEMENT KIT, WHICH INCLUDES COWL, LABELS, & LATCHES.

DRAWING REVISION HISTORY LISTING

PART NO: T1800202
DESCRIPTION: TracStar 618 VEHICLE ASSEMBLY

<u>APPR.</u>	<u>REV</u>	<u>DATE</u>	<u>BY</u>	<u>DESCRIPTION OF REVISION</u>
DWP	A	1/4/02	RLE	ADDED ITEM #27 T1204601 QTY. (1), ITEM #63 MAB00003 QTY. (1), ITEM #64 MBC00005 QTY. (1) & REVISED ITEM #38 MBF00005 FROM QTY. (4) TO QTY. (5). PARTS ADDED TO SECURE FUEL TANK. REVISED ITEM #2 FROM T1800301 TO T1200301.
LAA	B	03/22/02	BWW	REVISED TO ADD ITEM 65 MLN00400 QTY 1 TO PROTECT BATTERY TERMINAL. ADDED ITEMS 66 MJQ00379 QTY 1 AND 67 MJQ00380 QTY 1. ITEM 66 AND 67 ADDED TO COLOR CODE LIFTING POINTS ALLOWING CUSTOMER TO MORE EASILY IDENTIFY LIFTING POINTS. CHANGED QTY OF ITEM 51 MJQ000366 FROM 3 TO 1.
LAA	----	4/22/02	ALK	REVISED ITEM 18 FROM T1210501 DIESEL DASH LABEL TO T1210502 DIESEL DASH LABEL DUE TO WRONG LABEL PART NUMBER ASSIGNED INITIALLY.
MLM	C	6/12/02	ALK	REVISED TO ADD NOTE 5 AND FLAGS FOR CREATION OF COWL REPLACEMENT KITS.
SWB	D	03/16/04	BWW	REVISED DRAWING TO ADD ITEM 68 MHA00044 QTY 11 FT AND ITEM 69 MFE00059 QTY 1. CORRECTED QTY OF ITEM 47 MHA00045 FROM 12 FT TO 1 FT AND CHANGED QTY OF ITEM 48 MHA00049 FROM 8 TO 10. CHANGES MADE DUE TO FUEL TANK MFG. FITTING CHANGE. CHANGES EFFECTIVE AS OF 02/01/04.
SWB	E	11/02/04	BWW	REVISED ITEM 25 FROM T1211501 TO 8163106 FOR OIL SPECIFICATION INFORMATION.