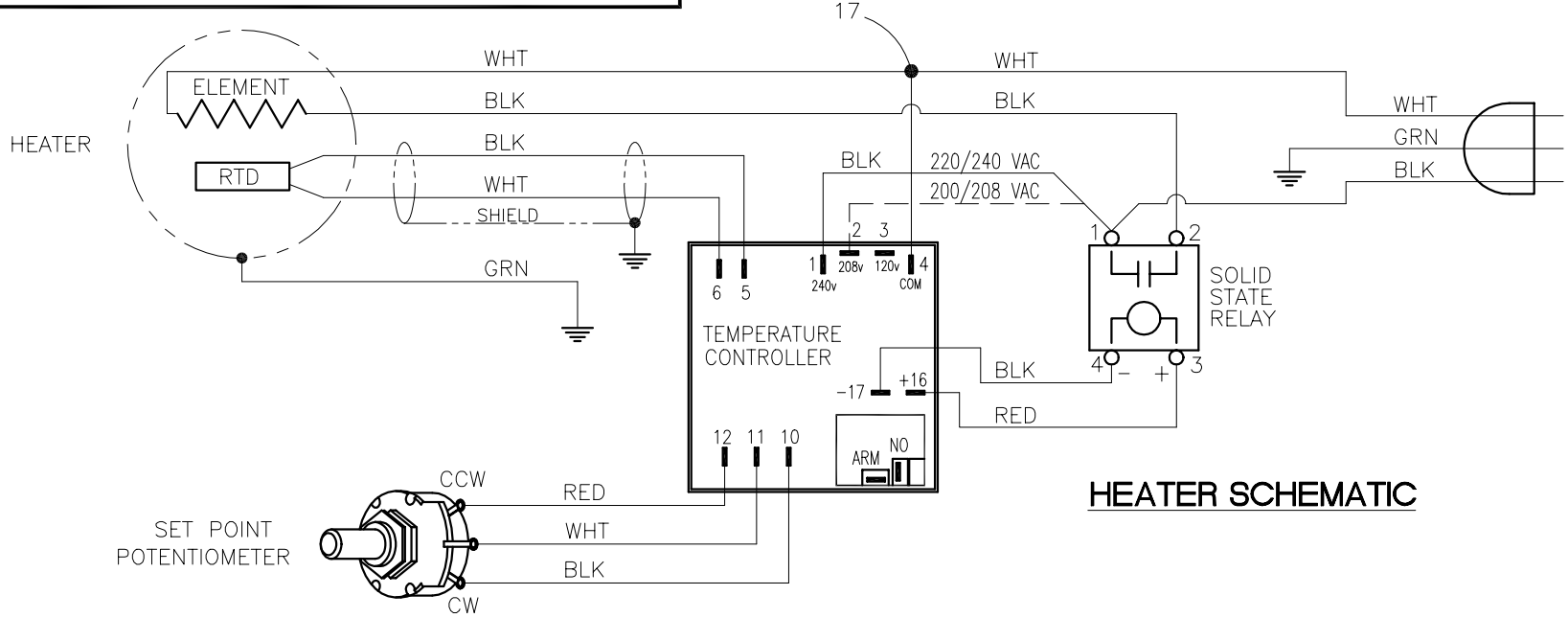
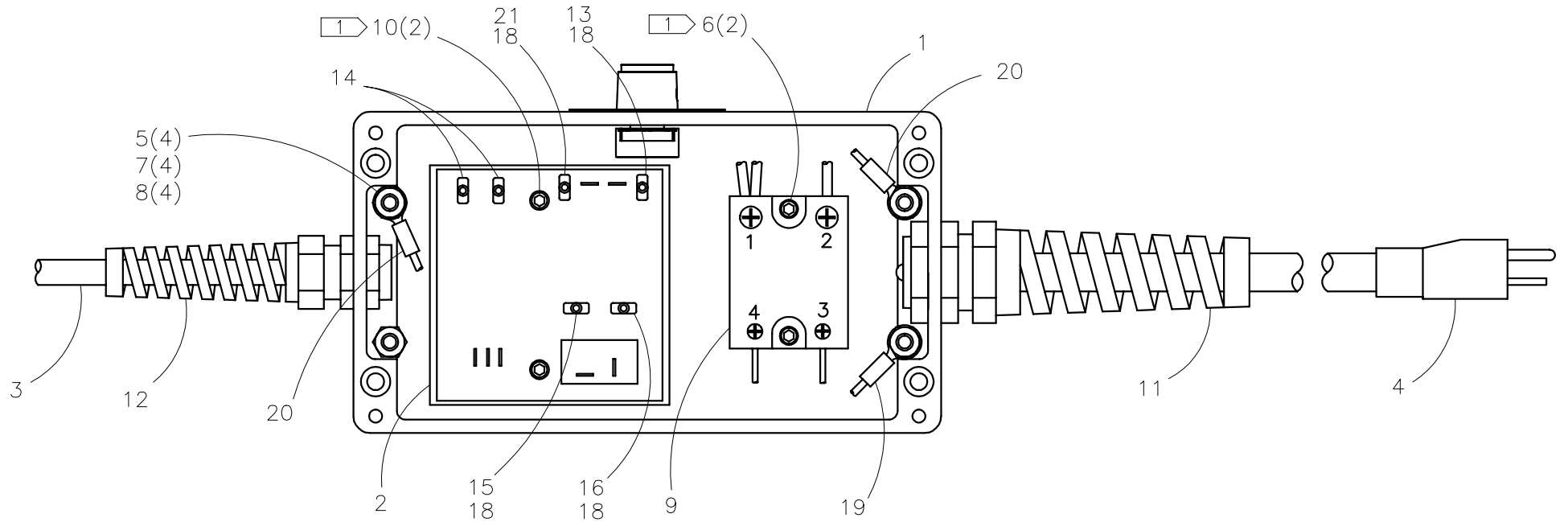




NOTE: THIS DRAWING AND THE INFORMATION CONTAINED THEREIN IS THE CONFIDENTIAL AND PROPRIETARY PROPERTY OF McElroy Manufacturing, Inc. THE DRAWING IS NOT TO BE REPRODUCED IN ANY MANNER, SUBMITTED OUTSIDE PARTIES FOR EXAMINATION, OR USED DIRECTLY OR INDIRECTLY FOR THE PURPOSES OTHER THAN THOSE FOR WHICH IT WAS FURNISHED WITHOUT WRITTEN PERMISSION OF McElroy Manufacturing, Inc.



HEATER SCHEMATIC



LW HEATER ELECTRICAL ASSEMBLY
220-240V, 50/60Hz, 1Ph

PARTS LIST

ITEM	PART NO.	QTY.	DESCRIPTION
	1242109		ASSEMBLY
1	838015	1	TEMPERATURE CONTROLLER BOX MODIFICATION
2	841101	1	TEMPERATURE CONTROLLER MODIFICATION
3	841501	1	LW HEATER CORD
4	MLE00012	1	#14/3 ELEC CABLE ASSY 8 FT
5	MAH00107	4	1/4-20NC X 1-1/4 LG BHSCS 18-8 SS
6	MAN00013	2	#8-32NC X 1/4 LG SHCS 18-8 SS
7	MBA00005	4	1/4-20NC FINISHED HEX NUT STL PL
8	MBE00005	4	1/4 REG SPLIT LOCK WASHER STL PL
9	MKB00023	1	SOLID STATE RELAY
10	MAH00041	2	#8-32NC X 3/4 LG SHCS 18-8 SS
11	MLK00062	1	STRAIN RELIEF CONNECTOR
12	MLK00064	1	STRAIN RELIEF CONNECTOR
13	MLL00052	0.5 FT	#14 MTW/TEW WIRE, WHITE
14	MLM00146	2	1/4" FEMALE DISCONNECT
15	MLL00014	0.5 FT	#16 MTW/TEW WIRE, BLACK
16	MLL00049	0.5 FT	#16 MTW/TEW WIRE, RED
17	MLM00010	1	CONNECTOR
18	MLM00017	4	1/4" FEMALE DISCONNECT
19	MLM00173	1	RING TERMINAL
20	MLM00094	2	RING TERMINAL
21	MLL00002	0.5 FT	#14 MTW/TEW WIRE, BLACK

NOTES:

1. INSTALL USING LOCTITE 242.

DRAWING REVISION HISTORY LISTING

PART NO: 1242109
DESCRIPTION: LW HEATER ELECTRICAL ASSEMBLY 220-240V, 50/60Hz, 1Ph

<u>APPR.</u>	<u>REV</u>	<u>DATE</u>	<u>BY</u>	<u>DESCRIPTION OF REVISION</u>
JRP	A	02/25/97	AH	CHANGED ITEM #3 (841301) QTY. 20FT TO 841501 QTY 1.
TLW	B	04/27/98	RLE	ADDED NOTE 1.
RAD	C	06/11/99	AH	DELETED ITEM #14 (MLL00013) QTY 1FT. CHANGED ITEM #18 (MLM00017) QTY FROM 9 TO 6. THIS WAS DONE TO MATCH REVISED TEMP CONTROL MODIFICATION #841101.
TLW	D	09/22/00	PB	ITEM #9 (MKB00023) IS NEW MODEL SOLID RELAY WITH SELF ATTACHING CONNECTS. MLM00085 WAS MLM00017. DELETED ITEM #15, #16. (MLM00001, MLM00008) ITEM #19 (MLM00173) WAS (MLM00092). ITEM #20 (1) REQ'D. WAS (2) REQ'D. ADDED ITEM #21 (MLL00002).
RAD	E	11/06/01	BWW	REVISED TO ADD ITEMS #14 (MLM00146) QTY 2, #15 (MLL00014) 1FT AND #16 (MLL00049) 1FT. CHANGED ITEM #13 FROM MLL00012 TO MLL00052 1 FT AND ITEM #18 FROM MLM00085 TO MLM00017 QTY 4. CHANGES MADE FOR BETTER RELIABILITY.
RAD	F	01/28/02	BEA	SCHEMATIC REDRAWN FOR CLARITY. CHANGED ITEM #8 FROM MBE00020 TO MBE00005. CHANGED ITEM #7 (MBA00005) QTY FROM 5 TO 4. CHANGED ITEM #20 (MLM00094) QTY FROM 1 TO 2. CHANGED ITEM #13 (MLL00052), #15 (MLL00014), #16 (MLL00049) AND #21 (MLL00002) QUANTITIES TO 0.5 FT. CHANGES MADE TO REFLECT AS-BUILT ASSEMBLY.