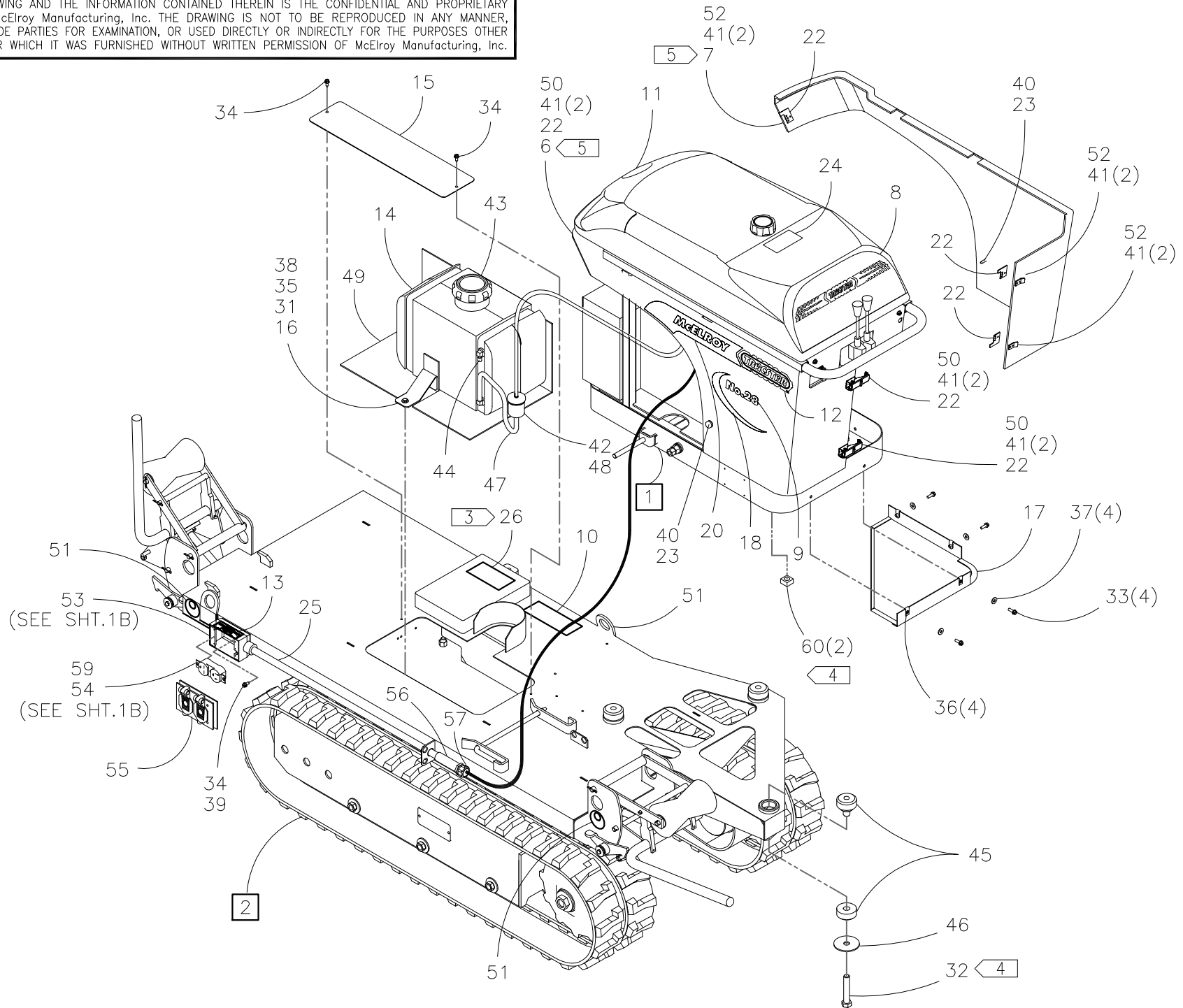




**McElroy Manufacturing, Inc.**  
 The leader by design.  
 Tulsa, Oklahoma U.S.A.

DRAWN: RLE	CHECK: DWP	APPR'V'D: JRP	DATE: 3/12/01	DWG No: T800200	SHT No: 1A	REV No: C	PART No: T800201
TracStar 28 VEHICLE ASSEMBLY							CAD No: T800201

NOTE: THIS DRAWING AND THE INFORMATION CONTAINED THEREIN IS THE CONFIDENTIAL AND PROPRIETARY PROPERTY OF McElroy Manufacturing, Inc. THE DRAWING IS NOT TO BE REPRODUCED IN ANY MANNER, SUBMITTED OUTSIDE PARTIES FOR EXAMINATION, OR USED DIRECTLY OR INDIRECTLY FOR THE PURPOSES OTHER THAN THOSE FOR WHICH IT WAS FURNISHED WITHOUT WRITTEN PERMISSION OF McElroy Manufacturing, Inc.

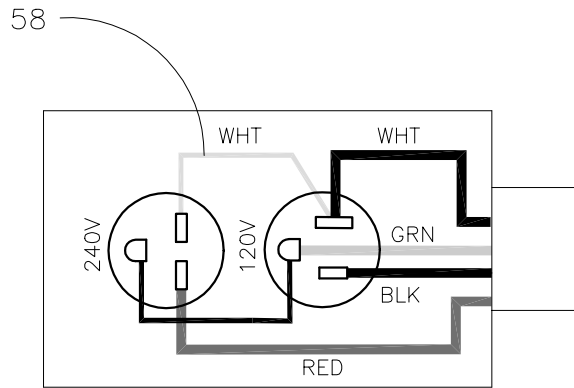




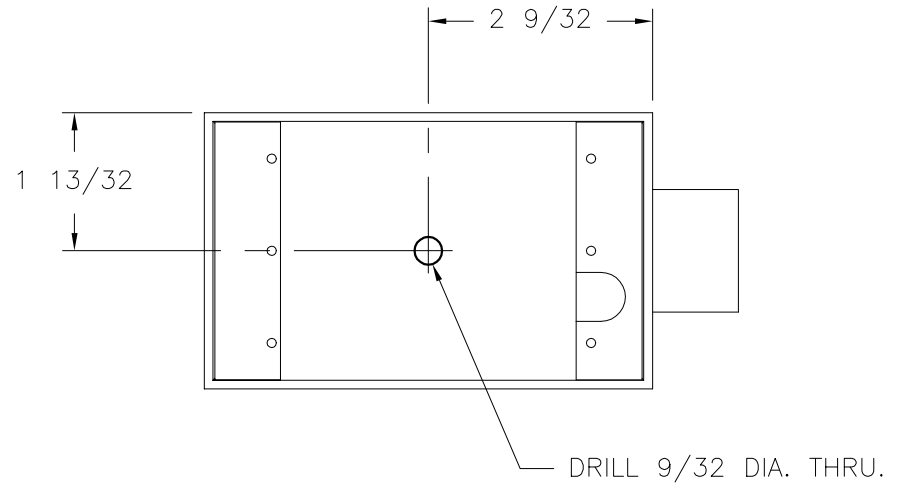
**McElroy Manufacturing, Inc.**  
 The leader by design.  
 Tulsa, Oklahoma U.S.A.

DRAWN: RLE	CHECK: DWP	APPRV'D: JRP	DATE: 3/12/01	DWG No: T800200	SHT No: 1B	REV No: C	PART No: T800201
TracStar 28 VEHICLE ASSEMBLY							CAD No: T800201

NOTE: THIS DRAWING AND THE INFORMATION CONTAINED THEREIN IS THE CONFIDENTIAL AND PROPRIETARY PROPERTY OF McElroy Manufacturing, Inc. THE DRAWING IS NOT TO BE REPRODUCED IN ANY MANNER, SUBMITTED OUTSIDE PARTIES FOR EXAMINATION, OR USED DIRECTLY OR INDIRECTLY FOR THE PURPOSES OTHER THAN THOSE FOR WHICH IT WAS FURNISHED WITHOUT WRITTEN PERMISSION OF McElroy Manufacturing, Inc.



2 → ITEM 54 WIRING



ITEM 53 MODIFICATION

**TracStar 28  
VEHICLE ASSEMBLY**

Parts List

ITEM	PART NO.	QTY.	DESCRIPTION
	<b>T800201</b>		<b>ASSEMBLY</b>
1	<u>T800301</u>	1	<u>TracStar 28 GAS POWER PACK ASSEMBLY</u>
2	<u>T1200201</u>	1	<u>TracStar 28/412 CHASSIS ASSEMBLY</u>
6	T803601	1	LEFT COWL
7	T803701	1	RIGHT COWL
8	T804001	1	GAS DASH LABEL
9	T804101	2	NO. 28 LABEL
10	T804301	1	UNLEADED FUEL ONLY LABEL
11	T5015602	1	MMI MEDALLION LABEL
12	T5023001	2	SIDE PANEL TracStar LOGO LABEL
13	T1201702	1	VOLTAGE LABEL
14	T1203901	1	FUEL TANK
15	T1204001	1	BATTERY COVER PLATE
16	T1204601	1	FUEL TANK RETAINER
17	T1206801	1	BELT GUARD WELDMENT
18	T1210001	1	LEFT SWOOSH LABEL
19	T1210101	1	RIGHT SWOOSH LABEL (NOT SHOWN)
20	T1210201	1	LEFT SIDE LABEL
21	T1210301	1	RIGHT SIDE LABEL (NOT SHOWN)
22	T1211201	6	COWL LATCH BACK UP PLATE
23	MJQ00372	2	FAST LEAD CAPTIVE SCREW
24	T1211501	1	HYDRAULIC FLUID LABEL
25	T1212201	1	RIGID CONDUIT
26	816342	1	SAFETY INSTRUCTION LABEL
31	MAB00003	1	1/4-20NC X 3/4LG. HHCS
32	MAB00156	3	5/8-11NC x 3-1/2 LG. HHCS
33	MAH00172	4	1/4-20NC X 3/4LG. HWHSMS
34	MAL00007	3	1/4-20NC X 3/4" LG THREAD FORMING SCREW
35	MBC00005	1	1/4-20NC FINISH HEX NYLON LOCK NUT
36	MBC00054	4	1/4-20NC PREV. TORQUE LOCK CLIP NUT
37	MBF00005	4	1/4" TYPE 'A' WIDE FLAT WASHER
38	MBG00029	1	1/4" FLAT WASHER
39	MBG00057	1	1/4" EXTERNAL TOOTH LOCK WASHER
40	MJQ00373	2	NYLON RETAINER FOR MJQ00372
41	MCL00003	12	5/32 x 3/8 GRIP ALUMINUM BLIND RIVET
42	MDA00059	1	IN-LINE FILTER
43	MDA00097	1	FUEL CAP/GAUGE
44	MDA00104	1	3/16" NEOPRENE CAP

**TracStar 28  
VEHICLE ASSEMBLY**

Parts List

ITEM	PART NO.	QTY.	DESCRIPTION
45	MDS00004	3	SHOCK MOUNT
46	MBF00011	3	5/8" TYPE 'A' WIDE FLAT WASHER
47	MHA00045	6FT	FUEL HOSE 5/16ID(8MM)
48	MHA00049	4	7/32 TO 5/8 HOSE CLAMP
49	MJQ00353	1	1/8X20X22 NEOPRENE
50	MJQ00365	3	UNDER CENTER DRAW LATCH
51	MJQ00366	3	LIFT POINT LABEL
52	MJQ00368	3	CONCEALED KEEPER FOR MJQ00365
53	MLA00011	1	ELECTRIC BOX
54	MLB00028	1	120/240 DUPLEX RECEPTACLE
55	MLB00029	1	RECEPTACLE COVER
56	MLJ00080	1	1/2" RIGID CONDUIT COUPLING
57	MLK00077	1	1/2" STRAIN RELIEF
58	MLL00052	.3 FT	#14 MTW/TEW ELECTRICAL WIRE, WHITE
59	MLM00172	1	LOCKING FORK TERMINAL
60	MBH00056	2	5/8-11NC SQUARE NUT STL PL

**NOTES:**

1. UNDERLINED NUMBERS ARE SUB-ASSEMBLIES ON SEPARATE DRAWINGS.
2. REMOVE COMMONING JUMPER TAB FROM RECEPTACLE.
3. ATTACH LABEL TO OUTSIDE OF LITERATURE COMPARTMENT FOLDING DOOR.
4. ITEMS TO BE USED TO ATTACH POWER PACK ASSEMBLY TO CHASSIS ASSEMBLY. INSTALL WITH THREAD LOCKING COMPOUND.
5. ORDER AT803701 RIGHT COWL & AT803601 LEFT COWL REPLACEMENT KIT WHICH INCLUDES COWL, LABELS, & LATCHES.  
WHEN REPLACING THE ORIGINAL LEFT & RIGHT COWLS, IT MAY BE NECESSARY TO ORDER A REPLACEMENT DASH PANEL, T803901, FOR COMPATIBILITY WITH REPLACEMENT COWLS. SOME SLIGHT MODIFICATION TO COWLS MAY BE NECESSARY.

## DRAWING REVISION HISTORY LISTING

**PART NO:** T800201  
**DESCRIPTION:** TracStar 28 VEHICLE ASSEMBLY

<u>APPR.</u>	<u>REV</u>	<u>DATE</u>	<u>BY</u>	<u>DESCRIPTION OF REVISION</u>
DWP	A	04/05/01	BWW	REVISED TO ADD ITEM #60 MBH00056 QTY 2 TO ATTACH POWER PACK TO CHASSIS. ADDED NOTE 4 AND FLAG NOTE TO IDENTIFY PARTS USED IN ATTACHMENT OF POWER PACK AND CHASSIS.
BWJ	B	05/14/01	BWW	REVISED ITEM #23 FROM T1211301 TO MJQ00372 AND ITEM #40 FROM MCL00001 TO MJQ00373 FOR NEW COWLING LATCHES.
SWB	C	09/18/01	BWW	REVISED TO ADD NOTE 5 AND FLAGS FOR CREATION OF COWL REPLACEMENT KITS.