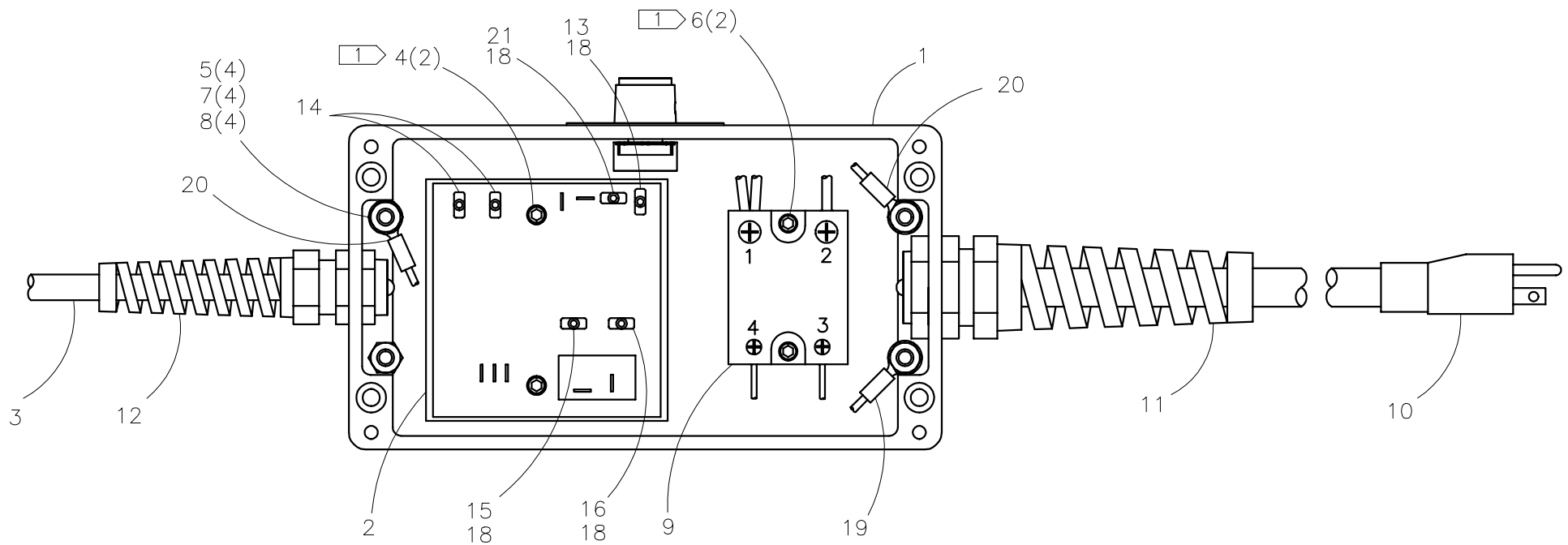
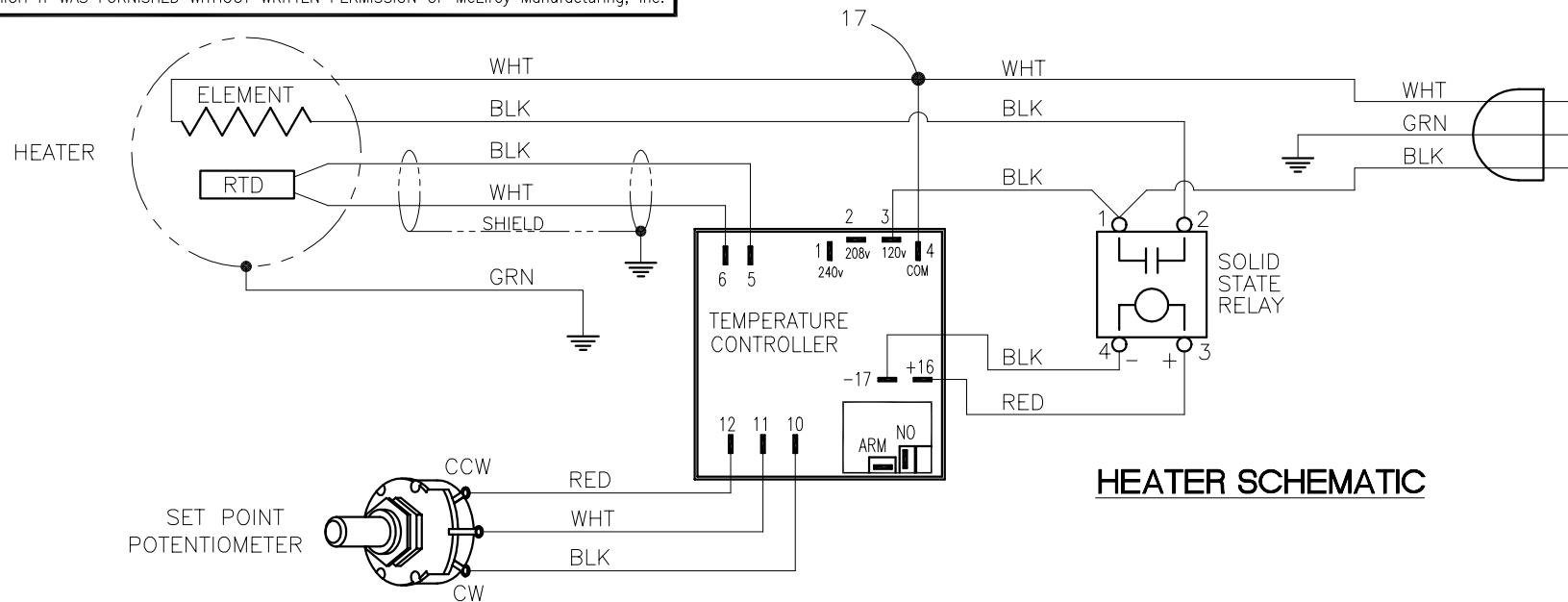




McElroy Manufacturing, Inc.
The leader by design.
Tulsa, Oklahoma U.S.A.

DRAWN: TLW	CHECK: BWP	APPRV'D: B	DATE: 3/01/96	DWG No: 838000	SHT No: 14	REV No: K	PART No: 838014
#28 LW HEATER ELECTRICAL ASSEMBLY 120V, 50/60Hz, 1Ph							CAD No: 838014

NOTE: THIS DRAWING AND THE INFORMATION CONTAINED THEREIN IS THE CONFIDENTIAL AND PROPRIETARY PROPERTY OF McElroy Manufacturing, Inc. THE DRAWING IS NOT TO BE REPRODUCED IN ANY MANNER, SUBMITTED OUTSIDE PARTIES FOR EXAMINATION, OR USED DIRECTLY OR INDIRECTLY FOR THE PURPOSES OTHER THAN THOSE FOR WHICH IT WAS FURNISHED WITHOUT WRITTEN PERMISSION OF McElroy Manufacturing, Inc.



**#28 LW HEATER ELECTRICAL ASSEMBLY
120V, 50/60Hz, 1Ph**

PARTS LIST

ITEM	PART NO.	QTY.	DESCRIPTION
	838014		ASSEMBLY
1	838015	1	TEMPERATURE CONTROLLER BOX MODIFICATION
2	841101	1	TEMPERATURE CONTROLLER MODIFICATION
3	841501	1	LW HEATER CORD
4	MAH00041	2	#8-32NC X 3/4 LG SHCS 18-8 SS
5	MAH00107	4	1/4-20NC X 1-1/4 LG BHSCS 18-8 SS
6	MAN00013	2	#8-32NC X 1/4 LG SHCS 18-8 SS
7	MBA00005	4	1/4-20NC FINISHED HEX NUTSTL PL
8	MBE00005	4	1/4 REG SPLIT LOCK WASHER STL PL
9	MKB00023	1	SOLID STATE RELAY
10	MLE00010	1	#14/3 ELEC CABLE ASSY 20 FT
11	MLK00062	1	STRAIN RELIEF CONNECTOR
12	MLK00064	1	STRAIN RELIEF CONNECTOR
13	MLL00052	0.5 FT	#14 MTW/TEW WIRE, WHITE
14	MLM00146	2	1/4" FEMALE DISCONNECT
15	MLL00014	0.5 FT	#16 MTW/TEW WIRE, BLACK
16	MLL00049	0.5 FT	#16 MTW/TEW WIRE, RED
17	MLM00010	1	CONNECTOR
18	MLM00017	4	1/4" FEMALE DISCONNECT
19	MLM00173	1	RING TERMINAL
20	MLM00094	2	RING TERMINAL
21	MLL00002	0.5 FT	#14 MTW/TEW WIRE, BLACK

NOTES:

1. INSTALL USING LOCTITE 242.

DRAWING REVISION HISTORY LISTING

PART NO: 838014
DESCRIPTION: #28 LW HEATER ELECTRICAL ASSEMBLY 120V, 50/60Hz, 1Ph

<u>APPR.</u>	<u>REV</u>	<u>DATE</u>	<u>BY</u>	<u>DESCRIPTION OF REVISION</u>
B	A	01/22/96	TLW	Changed to new temperature controller 120V.
B	B	03/01/96	TLW	Wiring for temperature control for CW & CCW was wired backwards.
JRP	C	02/14/97	SS	ITEM #10 (MLE00054) CHANGED TO (MLE00041). ITEM #13 QTY OF (6 FT) TO QTY OF (.5 FT) ITEM #14 QTY OF (12 FT) TO QTY OF (1 FT). SALES REQUESTED 20 FT. CABLE
JRP	D	02/25/97	AH	CHANGED ITEM #3 (841301) QTY 20FT, TO 841501 QTY 1. CHANGED ITEM #10 (MLE00041) TO MLE00010.
TLW	E	04/27/98	RLE	ADDED NOTE 1.
RAD	F	06/11/99	AH	DELETED ITEM #14(MLL00013) QTY 1ft. CHANGED ITEM #18(MLM00017) QTY FROM 9 TO 6. THIS WAS DONE TO MATCH REVISED TEMP CONTROL MODIFICATION #841101.
TLW	G	09/22/00	PB	ITEM #9 (MKB00023) IS NEW MODEL SOLID RELAY WITH SELF ATTACHING CONNECTS. MLM00085 WAS MLM00017. DELETED ITEMS #15, #16. (MLM00001, MLM00008). ITEM #19 (MLM00173) WAS MLM00092. ITEM #20 (1) REQ'D. WAS (2) REQ'D. ADDED ITEM #21 (MLL00002).
RAD	H	03/01/01	BWW	REVISED ITEM #7 QTY 5 TO QTY 4, ITEM #20 QTY 1 TO QTY 2. CHANGED ITEM #8 (MBE00020) TO MBE00005 AND REMOVED ITEM #13 (MLL00012). CHANGES REFLECT AS BUILT CONDITION.
RAD	J	11/06/01	BWW	REVISED TO ADD ITEM #13 (MLL00052) 1FT, #14 (MLM00146) QTY 2, #15 (MLL00014) 1FT, AND #16 (MLL00049) 1FT. CHANGED ITEM #18 FROM MLM00085 TO MLM00017 QTY 4. CHANGES MADE FOR BETTER RELIABILITY.
RAD	K	01/28/02	BEA	SCHEMATIC REDRAWN FOR CLARITY. CHANGED ITEM #13 (MLL00052), #15 (MLL00014), #16 (MLL00049) AND #21 (MLL00002) QUANTITIES TO 0.5 FT TO REFLECT AS-BUILT ASSEMBLY.