



McElroy Manufacturing, Inc.

The leader by design.

Tulsa, Oklahoma U.S.A.

DRAWN: AH

CHECK: TLW

APPRVD: SWB

DATE: 3/5/99

SHT No: 1

REV No: A

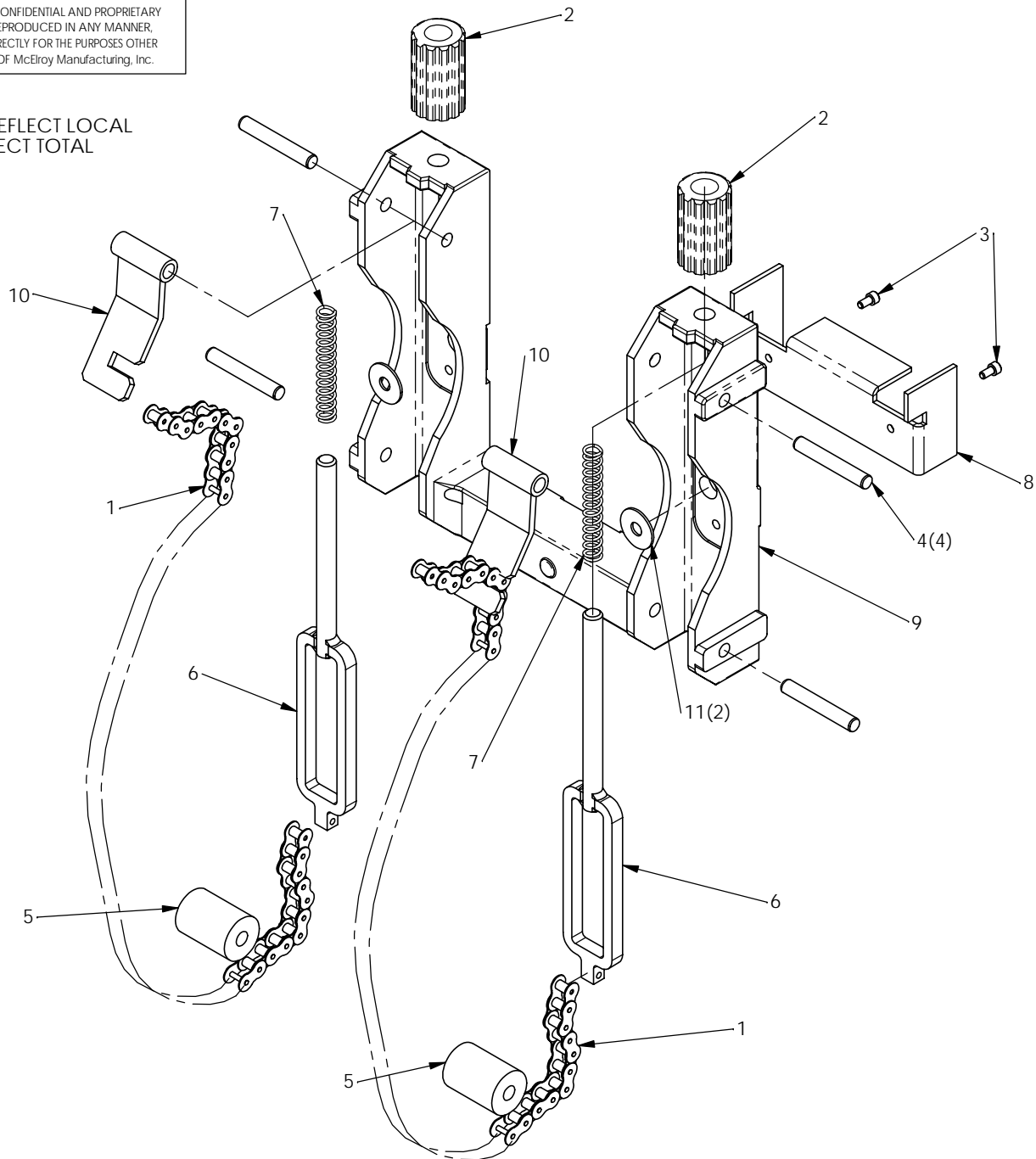
PART No: ASW10301

Sidewinder™ CHAIN CLAMP ASSEMBLY

NOTE: THIS DRAWING AND THE INFORMATION CONTAINED THEREIN IS THE CONFIDENTIAL AND PROPRIETARY PROPERTY OF McElroy Manufacturing, Inc. THE DRAWING IS NOT TO BE REPRODUCED IN ANY MANNER, SUBMITTED TO OUTSIDE PARTIES FOR EXAMINATION, OR USED DIRECTLY OR INDIRECTLY FOR THE PURPOSES OTHER THAN THOSE FOR WHICH IT WAS FURNISHED WITHOUT WRITTEN PERMISSION OF McElroy Manufacturing, Inc.

NOTES:

- 1. ITEMS SHOWN IN PARENTHESIS REFLECT LOCAL QUANTITIES AND MAY NOT REFLECT TOTAL ASSEMBLY QUANTITIES.



## Sidewinder™ CHAIN CLAMP ASSEMBLY

### Parts List

ITEM	PART NO.	QTY.	DESCRIPTION
	<b>ASW10301</b>		<b>ASSEMBLY</b>
1	A213601	2	TAILSTOCK CHAIN
2	A829001	2	SHORT CLAMP KNOB ASSY
3	MAC00035	2	#10 24NC X 3/8LG SHCS
4	MCK00027	4	3/8 DIA X 2-3/4LG LOCK PIN
5	SW01601	2	TAILSTOCK ROLLER
6	SW01901	2	CHAIN TAKE-UP ATTACHMENT
7	SW02101	2	COMPRESSION SPRING
8	SW03401	1	HEATER GUIDE
9	SW05703	1	TAILSTOCK
10	401701	2	CHAIN HOOK
11	MBG00012	2	3/8 FLAT WASHER

## DRAWING REVISION HISTORY LISTING

**PART NO:** ASW10301  
**DESCRIPTION:** Sidewinder™ CHAIN CLAMP ASSEMBLY

<u>APPR.</u>	<u>REV</u>	<u>DATE</u>	<u>BY</u>	<u>DESCRIPTION OF REVISION</u>
SWB	A	05/11/05	BWW	CREATED EXPLODED ISOMETRIC VIEW FOR CLARITY.