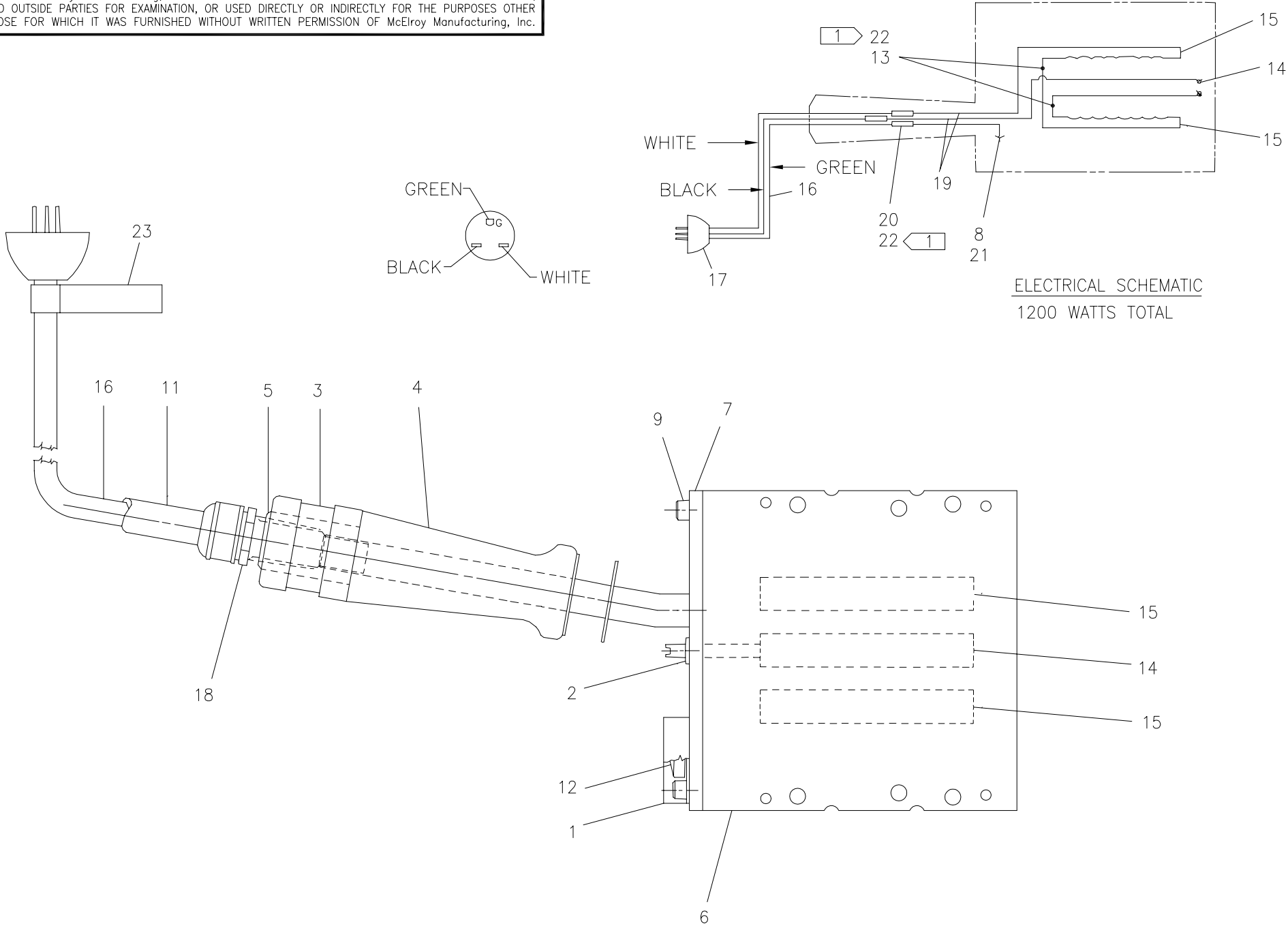




McElroy Manufacturing, Inc.
 The leader by design.
 Tulsa, Oklahoma U.S.A.

| | | | | | | | |
|---|------------|------------|---------------|----------------|-----------|-----------|-----------------|
| DRAWN: TLW | CHECK: SWB | APPRV'D: B | DATE: 6/16/95 | DWG No: 424300 | SHT No: 6 | REV No: C | PART No: 424309 |
| #14 Multi-Mc SIDEWALL & SOCKET HEATER ASSEMBLY 200-240V, 50/60Hz, 1Ph | | | | | | | CAD No: 424309 |

NOTE: THIS DRAWING AND THE INFORMATION CONTAINED THEREIN IS THE CONFIDENTIAL AND PROPRIETARY PROPERTY OF McElroy Manufacturing, Inc. THE DRAWING IS NOT TO BE REPRODUCED IN ANY MANNER, SUBMITTED OUTSIDE PARTIES FOR EXAMINATION, OR USED DIRECTLY OR INDIRECTLY FOR THE PURPOSES OTHER THAN THOSE FOR WHICH IT WAS FURNISHED WITHOUT WRITTEN PERMISSION OF McElroy Manufacturing, Inc.



ELECTRICAL SCHEMATIC
 1200 WATTS TOTAL

**#14 Multi-Mc SIDEWALL & SOCKET HEATER ASSEMBLY
200-240V, 50/60 Hz, 1Ph**

PARTS LIST

| ITEM | PART NO. | QTY | DESCRIPTION |
|------|---------------|-----|--------------------------------------|
| | 424309 | | Assembly |
| 1 | 214801 | 1 | THERMOMETER GUARD |
| 2 | 215601 | 1 | GROMMET |
| 3 | 816359 | 1 | MODEL 424309 PRT NO. LABEL |
| 4 | 414701 | 1 | HEATER HANDLE (WOOD) |
| 5 | 415101 | 1 | ADAPTER-THREADED |
| 6 | 424402 | 1 | HEATER BODY |
| 7 | 428401 | 1 | COVER PLATE WELDMENT |
| 8 | MAH00036 | 1 | #6-32NC X 3/8"LG HHWF TYPE 'F' |
| 9 | MAH00052 | 2 | 1/4-20NC X 3/4"LG SHCS 18-8SS |
| 10 | MAH00105 | 4 | #10-24NC X 3/4"LG FHSCS 18-8SS |
| 11 | MHA00009 | 4" | 3/8"ID X 9/16"OD AIR HOSE |
| 12 | MJK00001 | 1 | THERMOMETER |
| 13 | MJQ00046 | 2 | FERRULE |
| 14 | MLC00007 | 1 | THERMOSWITCH |
| 15 | MLD00011 | 2 | CARTRIDGE HEATER |
| 16 | MLE00034 | 20' | 16/3 ELECTRICAL CABLE |
| 17 | MLF00007 | 1 | ELECTRICAL PLUG |
| 18 | MLK00007 | 1 | STRAIN RELIEF CONNECTOR |
| 19 | MLL00004 | 12" | #18 TYPE TAGT ELECTRICAL WIRE |
| 20 | MLM00003 | 3 | INSULATED BUTT SPLICE |
| 21 | MLM00004 | 1 | RING TERMINAL |
| 22 | MLW00002 | 8" | FIBERGLASS SLEEVING |
| 23 | 410906 | 1 | DANGER NOT EXPLOSION PROOF TAG LABEL |
| 24 | A424901 | | 4" Multi-Mc HTR. SCR/DRIVER KIT |

NOTES:

1. USE SLEEVING (ITEM 22) TO COVER EXPOSED WIRING.
2. SPLICE LEADS IN HANDLE.
3. SET AND CHECK TEMPERATURE PER SP-9.
4. ITEM 24 NOT SHOWN ON DRAWING.

DRAWING REVISION HISTORY LISTING

PART NO: 424309

DESCRIPTION: #14 Multi-Mc SIDEWALL & SOCKET HEATER ASSEMBLY 200-240V, 50/60Hz, 1Ph

| <u>APPR.</u> | <u>REV</u> | <u>DATE</u> | <u>BY</u> | <u>DESCRIPTION OF REVISION</u> |
|--------------|------------|-------------|-----------|--|
| B | A | 11/21/95 | TLW | CHANGE ITEM #2 424502 TO 428401. CHANGE ITEM #18 MAH00055 TO MAH00052 |
| SWB | B | 1/21/97 | DJL | CHANGE 220/240V TO 200-240V. RE-NUMBER DRAWING AND BOM TO CLEAN UP CHANGED ITEM 3(P/N 410903) LABEL TO NEW LABEL(P/N 816359) TO SPECIFY VOLTAGE & WATTS. ADDED ITEM 23 (P/N 410906) EXPLOSION PROOF LABEL AT PLUG END OF POWER CORD. ADDED PLUG WIRE LOCATIONS FOR ITEM 17. REMOVED NOTE 4 FOR RESTAMPING BODY FOR 220V. ITEM 13 P/N WAS MJQ00026. |
| SWB | C | 8/11/97 | BB | CORRECTED VIEW OF HEATER BODY TO SHOW MOUNTING HOLES FOR BUTT PLATES & HEATER ADAPTERS. CORRECTED DWG. CALL OUT FOR BODY FROM ITEM #1 TO ITEM #6. |
| TLW | -- | 01/15/98 | RLE | ADDED ITEM 24, A424901 SCR/DRIVER KIT, & ADDED NOTE 4. |