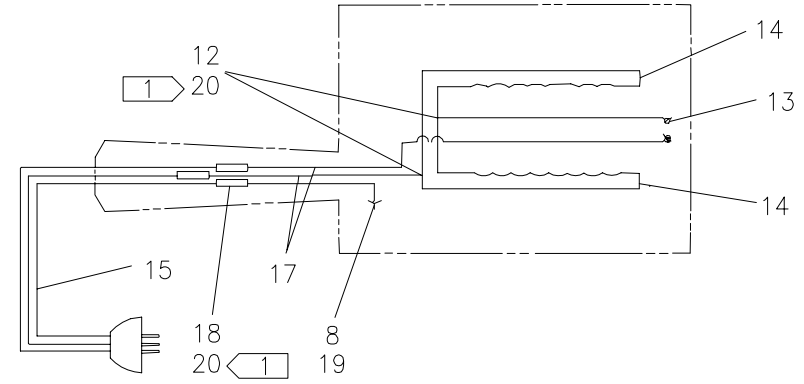
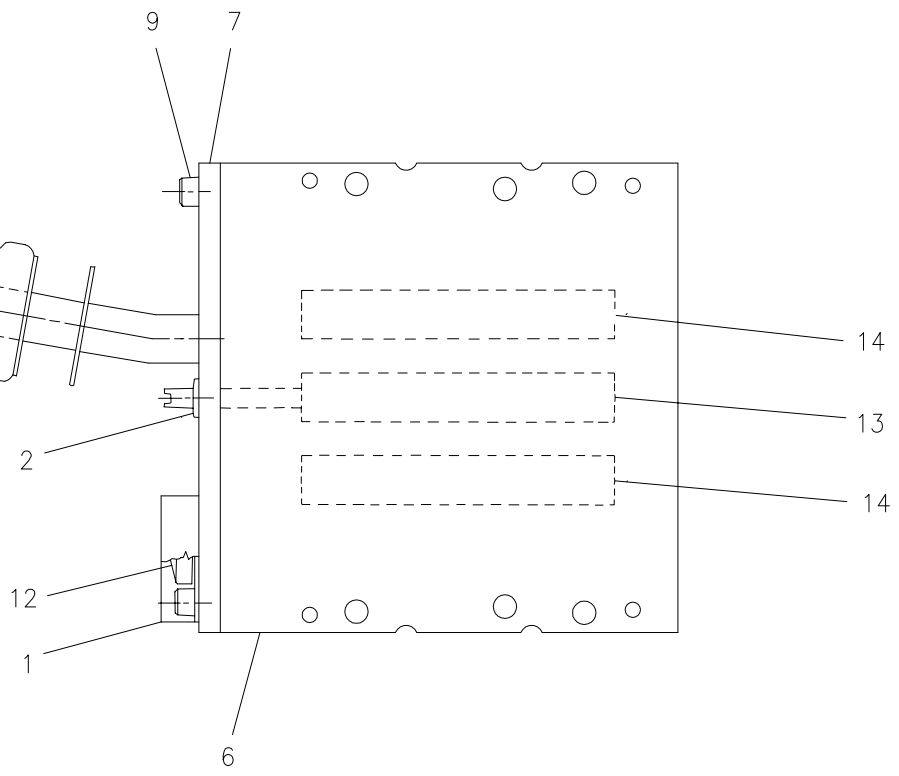
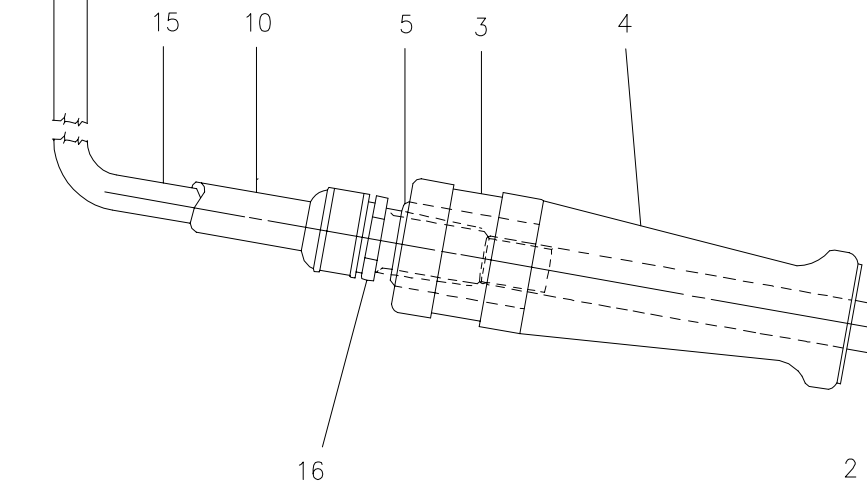
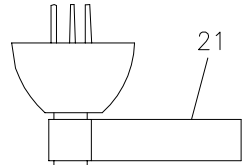




**McElroy Manufacturing, Inc.**  
 The leader by design.  
 Tulsa, Oklahoma U.S.A.

DRAWN: TLW	CHECK: SWB	APPRV'D: B	DATE: 6/16/95	DWG No: 424300	SHT No: 5	REV No: C	PART No: 424308
#14 Multi-Mc SIDEWALL & SOCKET HEATER ASSEMBLY 100-120V, 50/60Hz, 1Ph							CAD No: 424308

NOTE: THIS DRAWING AND THE INFORMATION CONTAINED THEREIN IS THE CONFIDENTIAL AND PROPRIETARY PROPERTY OF McElroy Manufacturing, Inc. THE DRAWING IS NOT TO BE REPRODUCED IN ANY MANNER, SUBMITTED OUTSIDE PARTIES FOR EXAMINATION, OR USED DIRECTLY OR INDIRECTLY FOR THE PURPOSES OTHER THAN THOSE FOR WHICH IT WAS FURNISHED WITHOUT WRITTEN PERMISSION OF McElroy Manufacturing, Inc.



ELECTRICAL SCHEMATIC  
 1200 WATTS TOTAL

**#14 Multi-Mc SIDEWALL & SOCKET HEATER ASSEMBLY  
100-120V, 50/60 Hz, 1Ph**

PARTS LIST

ITEM	PART NO.	QTY	DESCRIPTION
	<b>424308</b>		<b>Assembly</b>
1	214801	1	THERMOMETER GUARD
2	215601	1	GROMMET
3	816358	1	MODEL 424308 PART NO. LABEL
4	414701	1	HEATER HANDLE (WOOD)
5	415101	1	ADAPTER-THREADED
6	424402	1	HEATER BODY
7	428401	1	COVER PLATE WELDMENT
8	MAH00036	1	#6-32NC X 3/8"LG HHWF TYPE 'F'
9	MAH00052	2	1/4-20NC X 3/4"LG SHCS 18-8SS
10	MHA00009	4"	3/8"ID X 9/16"OD AIR HOSE
11	MJK00001	1	THERMOMETER
12	MJQ00046	2	FERRULE
13	MLC00007	1	THERMOSWITCH
14	MLD00011	2	CARTRIDGE HEATER
15	MLE00017	1	#16/3 ELECTRICAL CABLE ASS'Y
16	MLK00007	1	STRAIN RELIEF CONNECTOR
17	MLL00004	12"	#18 TYPE TAGT ELECTRICAL WIRE
18	MLM00003	3	INSULATED BUTT SPLICE
19	MLM00004	1	RING TERMINAL
20	MLW00002	8"	FIBERGLASS SLEEVING
21	410906	1	DANGER NOT EXPLOSION PROOF TAG LABEL
22	A424901		4" Multi-Mc HTR. SCR/DRIVER KIT

**NOTES:**

1. USE SLEEVING (ITEM 20) TO COVER EXPOSED WIRING.
2. SPLICE LEADS IN HANDLE.
3. SET AND CHECK TEMPERATURE PER SP-9.
4. ITEM 22 NOT SHOWN ON DRAWING.

## DRAWING REVISION HISTORY LISTING

**PART NO:** 424308

**DESCRIPTION:** #14 Multi-Mc SIDEWALL & SOCKET HEATER ASSEMBLY 100-120V, 50/60Hz, 1Ph

<u>APPR.</u>	<u>REV</u>	<u>DATE</u>	<u>BY</u>	<u>DESCRIPTION OF REVISION</u>
B	A	11/21/95	TLW	CHANGE ITEM #2 424502 TO 428401. CHANGE ITEM #18 MAH00055 TO MAH00052
SWB	B	1/21/97	DJL	CHANGE 120V TO 100-120V. RE-NUMBER DRAWING AND BOM TO CLEAN UP. CHANGED ITEM 3(P/N 410903) LABEL TO NEW LABEL(P/N 816358) TO SPECIFY VOLTAGE & WATTS. ADDED ITEM 21 (P/N 410906) EXPLOSION PROOF LABEL AT PLUG END OF POWER CORD. ITEM 12 P/N WAS MJQ00026.
SWB	C	8/11/97	BB	CORRECTED VIEW OF HEATER BODY TO SHOW MOUNTING HOLES FOR BUTT PLATES & HEATER ADAPTERS.
TLW	--	01/15/98	RLE	ADDED ITEM 22, A424901 SCR/DRIVER KIT, & ADDED NOTE 4