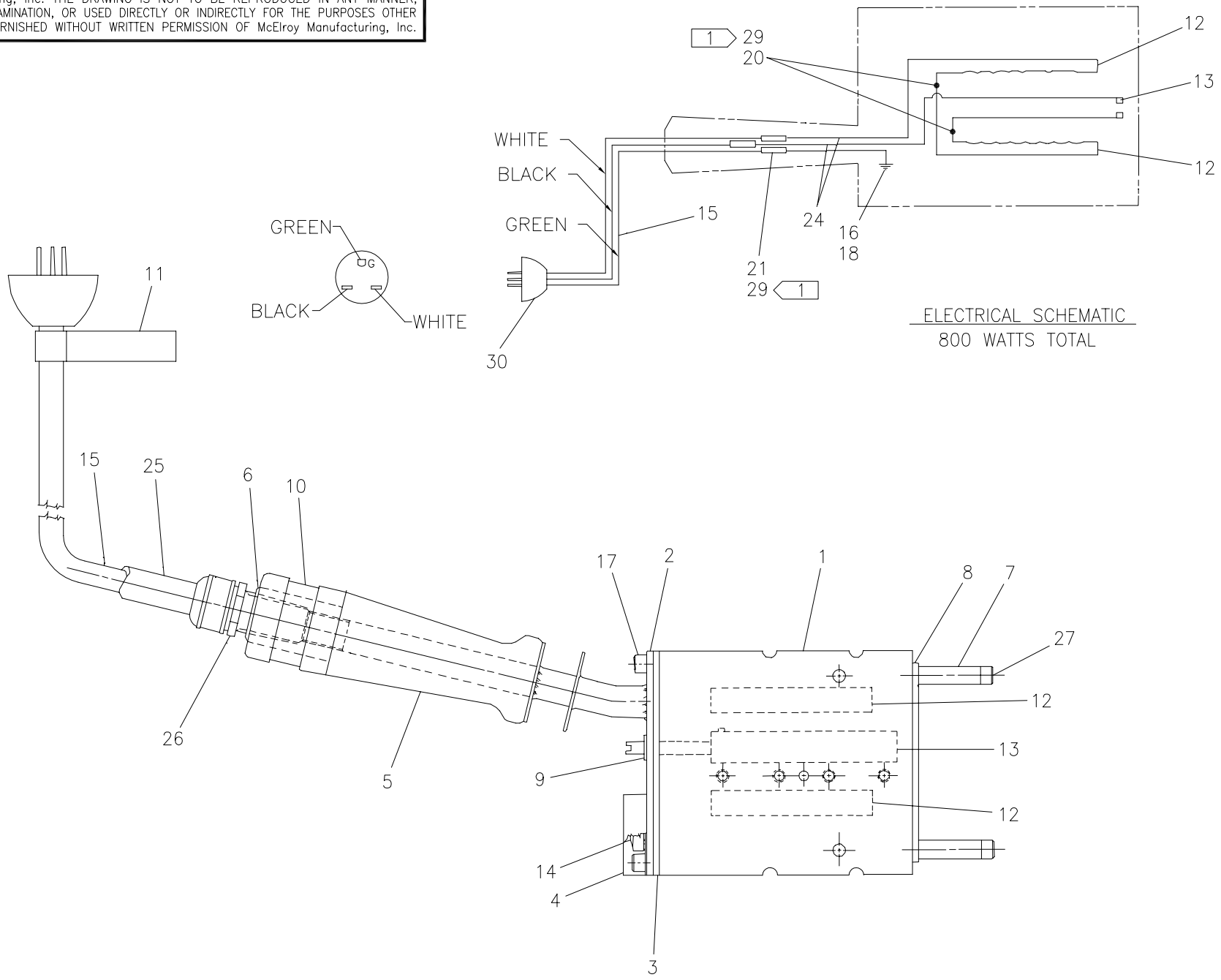




McElroy Manufacturing, Inc.
 The leader by design.
 Tulsa, Oklahoma U.S.A.

DRAWN: TLW	CHECK: SWB	APPRV'D: B	DATE: 6/16/95	DWG No: 214900	SHT No: 2	REV No: D	PART No: 214902
2" Multi-Mc SIDEWALL & SOCKET HEATER ASSEMBLY 200-240V, 50/60Hz, 1Ph							CAD No: 214902

NOTE: THIS DRAWING AND THE INFORMATION CONTAINED THEREIN IS THE CONFIDENTIAL AND PROPRIETARY PROPERTY OF McElroy Manufacturing, Inc. THE DRAWING IS NOT TO BE REPRODUCED IN ANY MANNER, SUBMITTED OUTSIDE PARTIES FOR EXAMINATION, OR USED DIRECTLY OR INDIRECTLY FOR THE PURPOSES OTHER THAN THOSE FOR WHICH IT WAS FURNISHED WITHOUT WRITTEN PERMISSION OF McElroy Manufacturing, Inc.



ELECTRICAL SCHEMATIC
 800 WATTS TOTAL

2" Multi-Mc SIDEWALL & SOCKET HEATER ASSEMBLY
200-240V, 50/60 Hz, 1 Ph

PARTS LIST

ITEM	PART NO.	QTY	DESCRIPTION
	214902	1	Assembly
1	214501	1	Heater Body
2	214601	1	Cover Plate Wdmt.
3	214701	1	Gasket
4	214801	1	Thermometer Guard
5	414701	1	Handle
6	415101	1	Adapter - Threaded
7	SW03503	2	Spacer Tube
8	SW03801	1	Spacer Base
9	215601	1	Grommet
10	816351	1	Model 214902 Part No. Label
11	410906	1	Danger Not Explosion Proof Tag Label
12	MLD00008	2	Heater Cartridge
13	MLC00007	1	Thermoswitch
14	MJK00001	1	Thermometer
15	MLE00034	20'	#16/3 SJO Cord
16	MAH00036	1	#6-32 NC x 3/8" Lg. HHWF Type 'F' St. Screw Stl. Pl.
17	MAH00052	2	1/4-20 NC x 3/4" Lg. SHCS 18-8SS
18	MLM00004	1	Ring Terminal
19			
20	MJQ00046	2	Ferrule
21	MLM00003	3	Insulated Butt Splice
22			
23			
24	MLL00004	12"	#18 Type TAGT Electrical Wire
25	MHA00009	4"	3/8" ID x 9/16" OD Tube
26	MLK00007	1	Strain Relief Connector
27	MAH00067	2	1/4-20 NC x 2" Lg. SHCS 18-8SS
28	A214102	1	Socket Screw/Driver Kit
29	MLW00002	8"	Fiberglass Sleeving
30	MLF00007	1	250V, 15 Amp Plug

2" MULTI-Mc SIDEWALL & SOCKET HEATER ASSEMBLY
200-240V, 50/60 Hz, 1 Ph

PARTS LIST (Continued)

ITEM	PART NO.	QTY	DESCRIPTION
------	----------	-----	-------------

NOTES:

1. Use Sleeving (Item 29) to cover exposed wiring.
2. Splice leads in handle.
3. Set and check temperature per SP-9.
- 4.
5. Item 28 is not shown on drawing.

DRAWING REVISION HISTORY LISTING

PART NO: 214902

DESCRIPTION: 2" Multi-Mc SIDEWALL & SOCKET HEATER ASSEMBLY 200-240V,50/60Hz, 1Ph

<u>APPR.</u>	<u>REV</u>	<u>DATE</u>	<u>BY</u>	<u>DESCRIPTION OF REVISION</u>
B	C	5/16/95	SWB	SCANNED & REDUCED TO 'A' SIZE FORMAT. CREATED TYPED PARTS LIST.
SWB	D	1/21/97	DJL	CHANGED 220V-240V TO 200-240V. CHANGED ITEM 10(P/N 410903) LABEL TO NEW LABEL(P/N 816351) TO SPECIFY VOLTAGE & WATTS. ADDED ITEM 11(P/N 410906) EXPLOSION PROOF LABEL AT PLUG END OF POWER CORD. ADDED PLUG WIRE LOCATIONS FOR ITEM 30. REMOVED NOTE 4 FOR RESTAMPING BODY FOR 220V. ITEM 20 P/N WAS MJQ00026.
TLW	-	12/12/97	JPS	CORRECTED ITEM #13 FROM MLD00007 TO MLC00007 AND FIXED ITEM #21 DESCRIPTION TO MATCH AS400