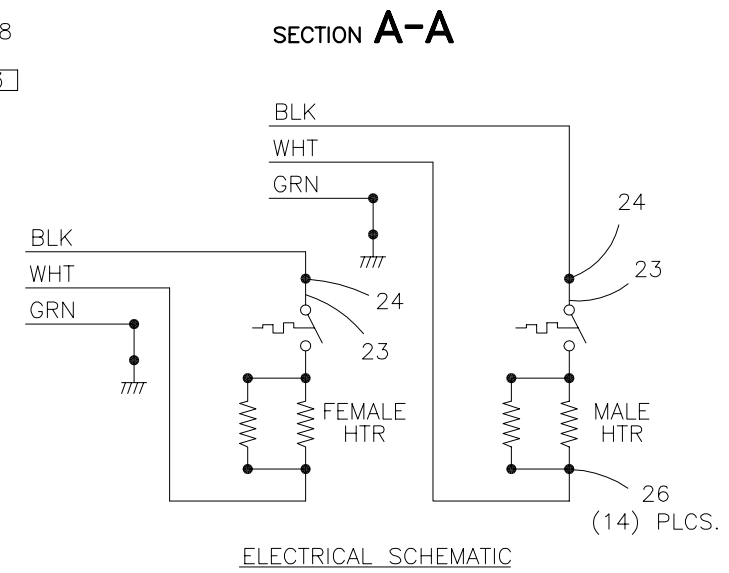
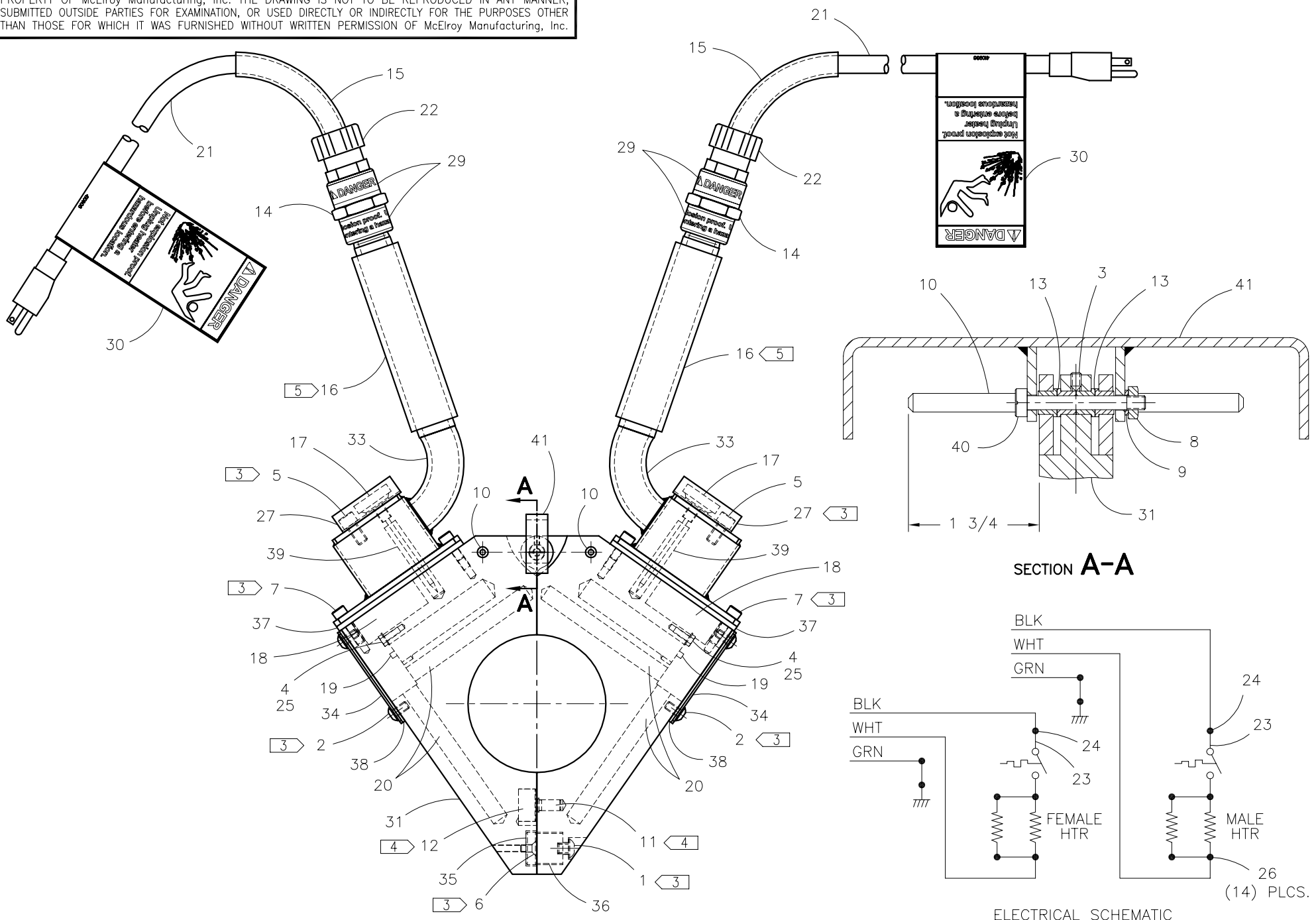




McElroy Manufacturing, Inc.
 The leader by design.
 Tulsa, Oklahoma U.S.A.

DRAWN: SS	CHECK: BWP	APPRV'D: JRP	DATE: 8/01/97	DWG No.: 425600	SHT No.: 1	REV No.: C	PART No.: 425601
2 x 4 SPLIT HEATER ASSEMBLY 120V, 50/60Hz, 1Ph							CAD No.: 425601

NOTE: THIS DRAWING AND THE INFORMATION CONTAINED THEREIN IS THE CONFIDENTIAL AND PROPRIETARY PROPERTY OF McElroy Manufacturing, Inc. THE DRAWING IS NOT TO BE REPRODUCED IN ANY MANNER, SUBMITTED OUTSIDE PARTIES FOR EXAMINATION, OR USED DIRECTLY OR INDIRECTLY FOR THE PURPOSES OTHER THAN THOSE FOR WHICH IT WAS FURNISHED WITHOUT WRITTEN PERMISSION OF McElroy Manufacturing, Inc.



**2 x 4 SPLIT HEATER ASSEMBLY
120V, 50/60Hz, 1Ph**

Parts List

ITEM	PART NO.	QTY.	DESCRIPTION
	425601	1	ASSEMBLY
1	MAH00169	1	1/4-20NC x 1/4 LG. BHSCS SS
2	MAH00170	4	#10-32NF x 3/8 LG. BHSCS SS
3	MAG00031	1	#6-32NC x 1/4 LG. CONE PT SET SCREW
4	MAH00036	2	#6-32NC x 3/8 LG. HHWF TYPE 'F'
5	MAH00050	2	1/4-20NC x 1/2 LG. SHCS SS
6	MAH00074	1	#8-32NC x 3/8 LG. FHSCS SS
7	MAH00081	8	#10-32NF x 1/2 LG. SHCS SS
8	MBA00024	1	#10-32NF FINISHED HEX NUT
9	MBE00004	1	#10 REG SPLIT LOCK WASHER
10	425501	2	SUPPORT PIN
11	MCK00025	1	1/4" DIA BULLET NOSE DOWEL (REF.)
12	MCK00026	1	1/4" ID SLOTTED LOCATOR BUSHING (REF.)
13	MDM00173	4	FLANGE BUSHING
14	MFA00126	2	8FPT/8FPT COUPLING
15	MHA00009	.50 FT	3/8" ID x 9/16" OD AIR HOSE
16	MHA00019	2.00 FT	3/4" ID x 1/8" WALL SILICONE TUBE
17	MJK00002	2	150-750DEG. F THERMOMETER
18	MJQ00026	4	FERRULE
19	MLC00011	2	TEMPERATURE SWITCH
20	MLD00048	4	CARTRIDGE HEATER
21	MLE00017	2	#16/3 ELECTRICAL CABLE ASSEMBLY
22	MLK00007	2	STRAIN RELIEF CONNECTOR
23	MLL00004	.50 FT	#18 TYPE TAGT ELECTRICAL WIRE
24	MLM00003	6	INSULATED BUTT SPLICE
25	MLM00004	2	RING TERMINAL
26	MLW00002	1.33 FT	FIBERGLASS SLEEVING
27	214801	2	THERMOMETER GUARD
28	223901	1	HEATER TAG
29	410903	2	DANGER NOT EXPLOSION PROOF LABEL
30	410906	2	DANGER NOT EXPLOSION PROOF TAG LABEL
31	A425620	1	2 x 4 SPLIT HEATER BODY SET
32			
33	425604	2	SPLIT HEATER HANDLE BRACKET WELDMENT
34	425605	2	SPLIT HEATER COVER PLATE
35	425607	1	SPLIT HEATER MAGNETIC CATCH

**2 x 4 SPLIT HEATER ASSEMBLY
120V, 50/60Hz, 1Ph**

Parts List

ITEM	PART NO.	QTY.	DESCRIPTION
36	425608	1	SPLIT HEATER MAGNET MODIFICATION
37	425609	2	SPLIT HEATER HANDLE GASKET
38	425610	2	SPLIT HEATER GASKET
39	425611	2	SPLIT HEATER THERMOMETER HEAT SINK
40	425612	1	SPLIT HEATER PIVOT BOLT
41	425613	1	SPLIT HEATER STRIPPER BAR
42	1243801	1	SPLIT HEATER OPERATOR'S MANUAL

NOTES:

1. ITEMS 28 & 42 NOT SHOWN.
2. SET AND CHECK TEMPERATURE PER SP-9.
3. INSTALL WITH HIGH TEMPERATURE ANTI-SEIZE COMPOUND.
4. ITEMS 11 & 12 ARE INCLUDED AS PART OF #A425620 2 x 4 SPLIT HEATER BODY SET.
5. PRE-CUT TO 12" LG, INSTALL ON HANDLE BY INFLATING WITH COMPRESSED AIR, TRIM EXCESS.

DRAWING REVISION HISTORY LISTING

PART NO: 425601

DESCRIPTION: 2 x 4 SPLIT HEATER ASSEMBLY 120V, 50/60Hz, 1Ph

<u>APPR.</u>	<u>REV</u>	<u>DATE</u>	<u>BY</u>	<u>DESCRIPTION OF REVISION</u>
TLW	A	07/28/98	MRP	ADDED NOTES #4 & #5
SWB	B	4/10/02	RLE	REMOVED ITEM 32 & REVISED ITEM 31 TO A425620 SPLIT HEATER BODY SET WHICH CONTAINS BOTH MALE & FEMALE BODIES. THIS WAS NECESSARY SINCE BODIES ARE MANUFACTURED AS MATCHED SETS. REVISED NOTES 4 & 5 ACCORDINGLY & CONSOLIDATED INTO ONE NOTE.
SWB	C	11/5/03	ALK	REVISED QTY. ON ITEM #16 FROM 1 FT. TO 2 FT. & ADDED NOTE 5 DETAILS TO MATCH AS BUILT.