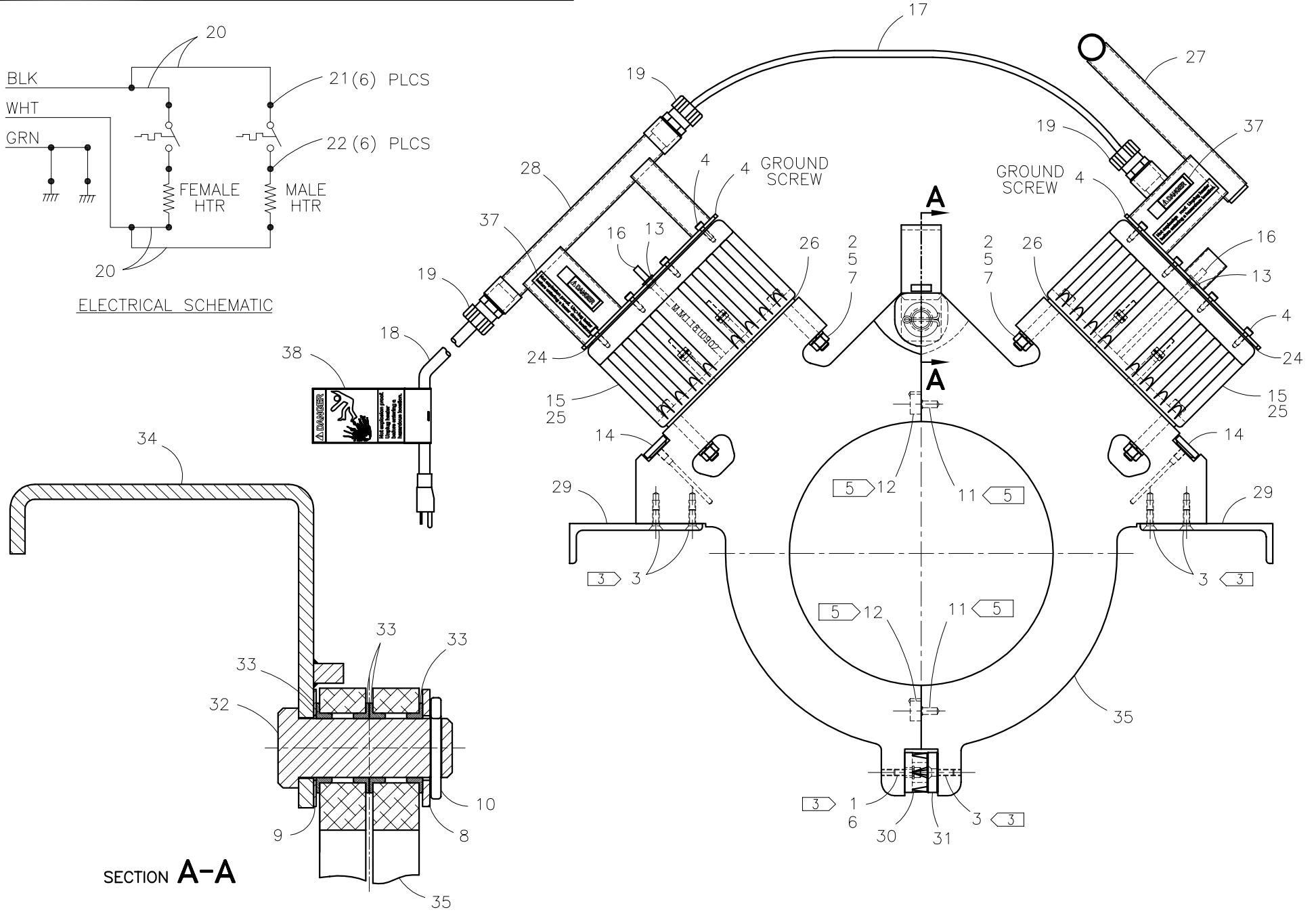




McElroy Manufacturing, Inc.
 The leader by design.
 Tulsa, Oklahoma U.S.A.

DRAWN: SS	CHECK: BWP	APPRV'D: JRP	DATE: 7/22/97	DWG No: 1239200	SHT No: 1	REV No: C	PART No: 1239201
8 x 14 SPLIT HEATER ASSEMBLY 220-240V, 50/60Hz, 1Ph							CAD No: 1239201

NOTE: THIS DRAWING AND THE INFORMATION CONTAINED THEREIN IS THE CONFIDENTIAL AND PROPRIETARY PROPERTY OF McElroy Manufacturing, Inc. THE DRAWING IS NOT TO BE REPRODUCED IN ANY MANNER, SUBMITTED OUTSIDE PARTIES FOR EXAMINATION, OR USED DIRECTLY OR INDIRECTLY FOR THE PURPOSES OTHER THAN THOSE FOR WHICH IT WAS FURNISHED WITHOUT WRITTEN PERMISSION OF McElroy Manufacturing, Inc.



ELECTRICAL SCHEMATIC

SECTION A-A

8 x 14 SPLIT HEATER ASSEMBLY
220-240V, 50/60Hz, 1Ph

Parts List

ITEM	PART NO.	QTY.	DESCRIPTION
	1239201	1	ASSEMBLY
1	MAH00052	1	1/4-20NC x 3/4 LG. SHCS SS
2	MAH00071	4	3/8-16NC x 2-1/2 LG. SHCS SS
3	MAH00077	5	1/4-20NC x 3/4 LG. FHSCS SS
4	MAH00046	18	#10-24 x 1/2 LG. SHCS SS
5	MBA00007	4	3/8-16NC FINISHED HEX NUT
6	MBE00005	1	1/4" REGULAR SPLIT LOCK WASHER
7	MBE00007	4	3/8" REGULAR SPLIT LOCK WASHER
8	MBG00004	1	3/4" TYPE 'AN' FLAT WASHER
9	MBG00006	1	3/4" TYPE 'AN' FLAT WASHER
10	MCH00001	1	1/8" DIA x 1" LG. COTTER PIN
11	MCK00025	2	1/4" DIA BULLET NOSE DOWEL (REF.)
12	MCK00026	2	1/4" ID SLOTTED LOCATOR BUSHING (REF.)
13	MDL00071	2	GROMMET
14	MJK00002	2	150-750° F THERMOMETER
15	MJQ00125	4	1/16" x 3.3" x 6.63" GASKET
16	MLC00006	2	THERMOSWITCH
17	MLE00003	1 FT	#14/3 ELECTRICAL CABLE
18	MLE00012	1	#14/3 ELECTRICAL CABLE ASSEMBLY
19	MLK00007	3	STRAIN RELIEF CONNECTOR
20	MLL00020	4 FT	#14 TYPE TGGT WIRE
21	MLM00010	6	CONNECTOR
22	MLM00013	6	CONNECTOR
23			
24	1808102	2	HEATER GASKET
25	1810902	2	TERMINAL ENCLOSURE
26	1207302	2	TERMINAL ENCLOSURE GASKET
27	1237601	1	MALE SPLIT HEATER HANDLE BRACKET WELDMENT
28	1237701	1	FEMALE SPLIT HEATER HANDLE BRACKET WELDMENT
29	1237902	2	SPLIT HEATER MOUNTING BRACKET
30	1238003	1	SPLIT HEATER MAGNET MODIFICATION
31	1238004	1	SPLIT HEATER MAGNETIC CATCH
32	1238101	1	SPLIT HEATER PIVOT PIN
33	1238301	4	SPLIT HEATER PIVOT BUSHING
34	1238507	1	SPLIT HEATER STRIPPER BAR WELDMENT
35	A1239210	1	8 x 14 SPLIT HEATER BODY SET

**8 x 14 SPLIT HEATER ASSEMBLY
220-240V, 50/60Hz, 1Ph**

Parts List

ITEM	PART NO.	QTY.	DESCRIPTION
36			
37	410903	4	DANGER NOT EXPLOSION PROOF LABEL
38	410906	1	DANGER NOT EXPLOSION PROOF TAG LABEL
39	223901	1	HEATER TAG
40	1243801	1	SPLIT HEATER OPERATOR'S MANUAL
41	A1239401	1	FACER PIVOT SPACER KIT

NOTES:

1. ITEMS 39, 40 & 41 NOT SHOWN.
2. SET AND CHECK TEMPERATURE PER SP-9.
3. INSTALL WITH HIGH TEMPERATURE ANTI-SEIZE COMPOUND
4. ITEMS 8 & 9 ARE USED AS REQUIRED; QUANTITIES MAY VARY DUE TO TOLERANCE STACK.
5. ITEMS 11 & 12 ARE INCLUDED AS PART OF #A1239210 8x14 SPLIT HEATER BODY SET.

DRAWING REVISION HISTORY LISTING

PART NO: 1239201

DESCRIPTION: 8 x 14 SPLIT HEATER ASSEMBLY 220-240V, 50/60Hz, 1Ph

<u>APPR.</u>	<u>REV</u>	<u>DATE</u>	<u>BY</u>	<u>DESCRIPTION OF REVISION</u>
TLW	A	07/28/98	MRP	ADDED NOTES #5 & #6
SWB	B	4/3/02	RLE	REMOVED ITEM 36 & REVISED ITEM 35 TO A1239210 SPLIT HEATER BODY SET WHICH CONTAINS BOTH MALE & FEMALE BODIES. THIS WAS NECESSARY SINCE BODIES ARE MANUFACTURED AS MATCHED SETS. REVISED NOTES 5 & 6 ACCORDINGLY & CONSOLIDATED INTO ONE NOTE.
SWB	C	08/26/02	BWW	CORRECTED BY REMOVING ITEM NUMBER 23 FROM FACE OF DRAWING.