



McElroy Manufacturing, Inc.

The leader by design.

Tulsa, Oklahoma U.S.A.

DRAWN: CED

CHECK: BWP

APPRV'D: RAD

DATE: 5/19/98

DWG No: S01100

SHT No: 11

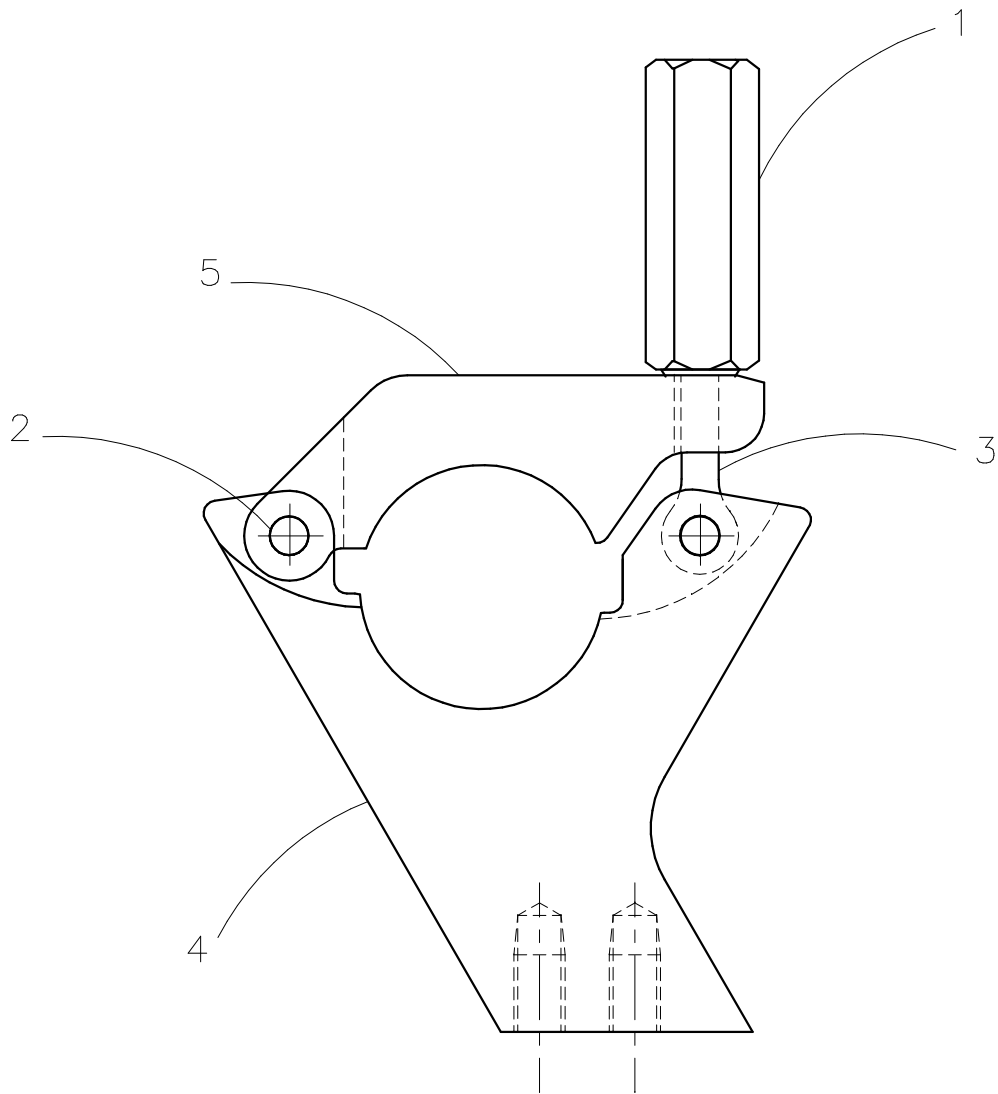
REV No:

PART No: S01111

2" JAW ASSEMBLY

CAD No: S01111

NOTE: THIS DRAWING AND THE INFORMATION CONTAINED THEREIN IS THE CONFIDENTIAL AND PROPRIETARY PROPERTY OF McElroy Manufacturing, Inc. THE DRAWING IS NOT TO BE REPRODUCED IN ANY MANNER, SUBMITTED OUTSIDE PARTIES FOR EXAMINATION, OR USED DIRECTLY OR INDIRECTLY FOR THE PURPOSES OTHER THAN THOSE FOR WHICH IT WAS FURNISHED WITHOUT WRITTEN PERMISSION OF McElroy Manufacturing, Inc.



McSNAPPER™ 2" JAW ASSEMBLYParts List

ITEM	PART NO.	QTY.	DESCRIPTION
	S01111		ASSEMBLY
1	A211501	1	CLAMP KNOB ASSY-SHORT-2" F/U
2	MCK00015	2	3/8"DIA X 1"LG LOCK PIN STL PL
3	MJB00001	1	EYEBOLT
4	S01116	1	2" LOWER JAW
5	S01117	1	2" UPPER JAW