



McElroy Manufacturing, Inc.

The leader by design.

Tulsa, Oklahoma U.S.A.

DRAWN: CED

CHECK: BWP

APPRV'D: RAD

DATE: 5/19/98

DWG No: S01100

SHT No: 10

REV No: A

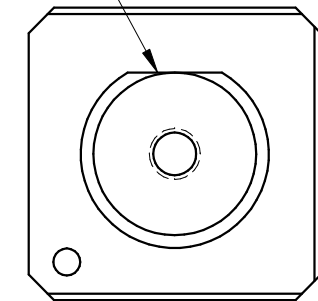
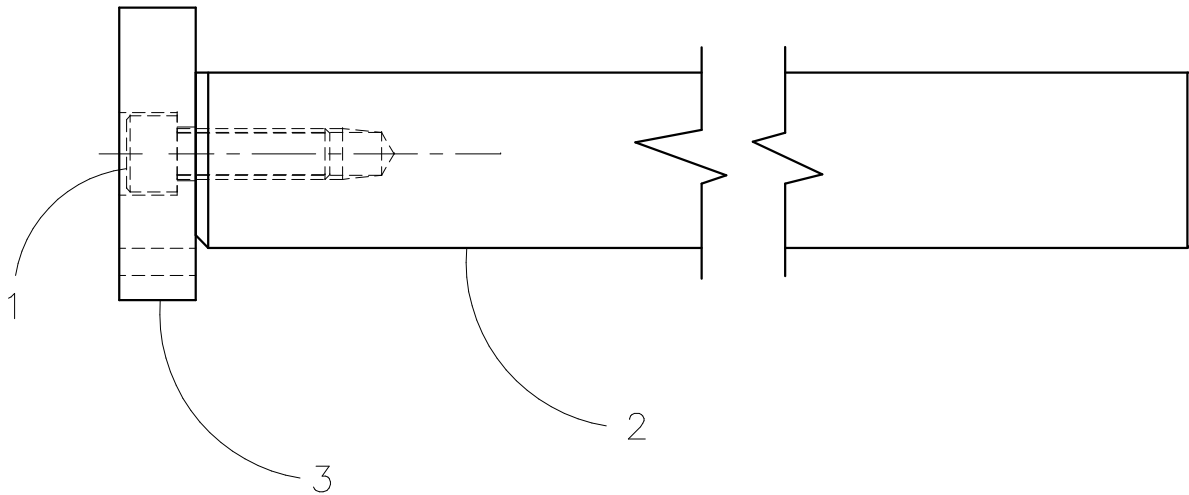
PART No: S01110

PIPE SUPPORT ASSEMBLY

CAD No: S01110

NOTE: THIS DRAWING AND THE INFORMATION CONTAINED THEREIN IS THE CONFIDENTIAL AND PROPRIETARY PROPERTY OF McElroy Manufacturing, Inc. THE DRAWING IS NOT TO BE REPRODUCED IN ANY MANNER, SUBMITTED OUTSIDE PARTIES FOR EXAMINATION, OR USED DIRECTLY OR INDIRECTLY FOR THE PURPOSES OTHER THAN THOSE FOR WHICH IT WAS FURNISHED WITHOUT WRITTEN PERMISSION OF McElroy Manufacturing, Inc.

LINE UP FLAT ON ITEM #2, ROD,
WITH BOTTOM OF ITEM #3,
SUPPORT PLATE, AS SHOWN.



PIPE SUPPORT ASSEMBLYParts List

ITEM	PART NO.	QTY.	DESCRIPTION
	S01110		ASSEMBLY
1	MAC00141	1	1/2-13NC X 1-1/2"LG SHCS STL BL
2	S01112	1	PIPE SUPPORT ROD
3	S01113	1	PIPE SUPPORT PLATE

DRAWING REVISION HISTORY LISTING

PART NO: S01110

DESCRIPTION: PIPE SUPPORT ASSEMBLY

<u>APPR.</u>	<u>REV</u>	<u>DATE</u>	<u>BY</u>	<u>DESCRIPTION OF REVISION</u>
JRP	A	10/14/98	RLE	REMOVED TOP VIEW & ADDED RIGHT VIEW FOR CLARITY OF ASS'Y.