



McElroy Manufacturing, Inc.

The leader by design.

Tulsa, Oklahoma U.S.A.

DRAWN: CED

CHECK: BWP

APPRV'D: RAD

DATE: 5/19/98

DWG No: S01100

SHT No: 1

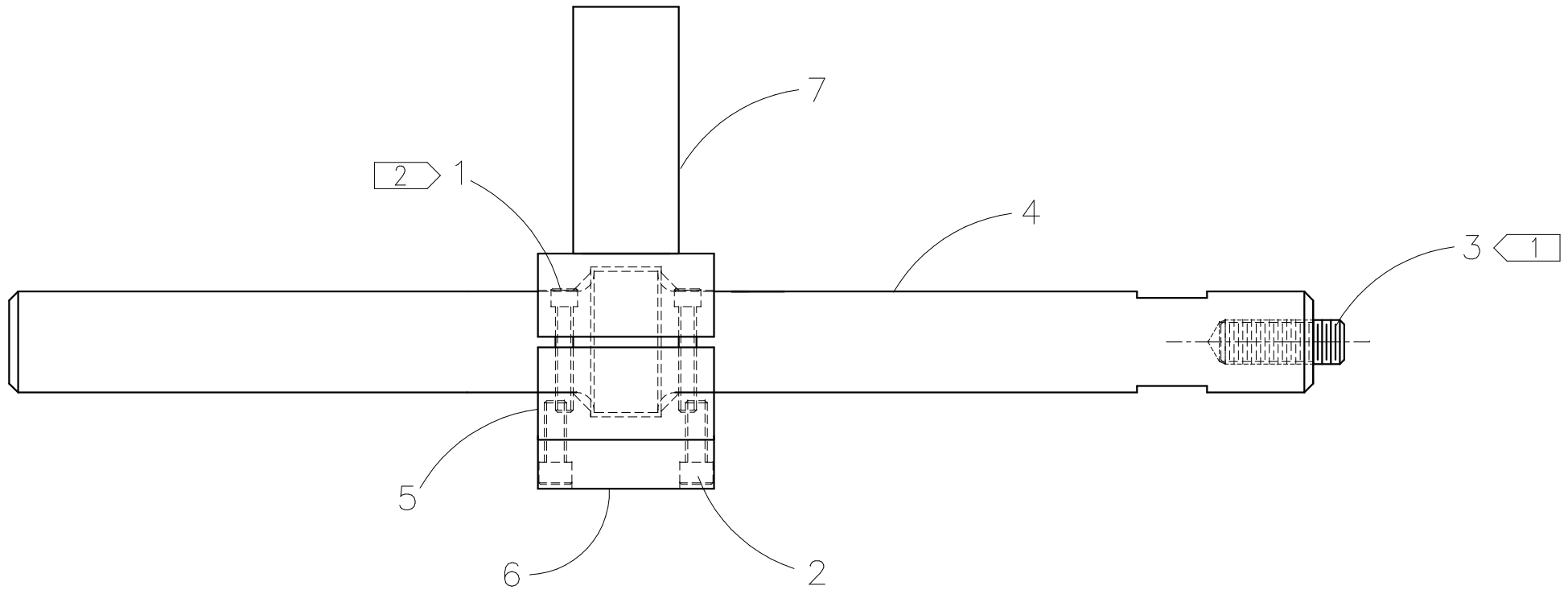
REV No:

PART No: S01101

SHAFT HAMMER ASSEMBLY

CAD No: S01101

NOTE: THIS DRAWING AND THE INFORMATION CONTAINED THEREIN IS THE CONFIDENTIAL AND PROPRIETARY PROPERTY OF McElroy Manufacturing, Inc. THE DRAWING IS NOT TO BE REPRODUCED IN ANY MANNER, SUBMITTED OUTSIDE PARTIES FOR EXAMINATION, OR USED DIRECTLY OR INDIRECTLY FOR THE PURPOSES OTHER THAN THOSE FOR WHICH IT WAS FURNISHED WITHOUT WRITTEN PERMISSION OF McElroy Manufacturing, Inc.



McSNAPPER™ SHAFT HAMMER ASSEMBLYParts List

ITEM	PART NO.	QTY.	DESCRIPTION
	S01101		ASSEMBLY
1	MAC00057	4	1/4-20NC X 1-1/2"LG SHCS STL BL
2	MAC00074	2	5/16-18NC X 7/8"LG SHCS STL BL
3	S01102	1	STUD
4	S01103	1	SIDEWALL SHAFT
5	S01105	1	"TAPPED" SHAFT COLLAR
6	S01118	1	SHAFT KEY
7	S01107	1	COLLAR HAMMER WELDMENT

NOTES:

1. Screw in to bottom using Loctite # 609 on contacting threads.
2. Loosely tighten 4 screws so that the shaft can rotate.