



McElroy Manufacturing, Inc.

The leader by design.

Tulsa, Oklahoma U.S.A.

DRAWN: CED

CHECK: BWP

APPRV'D: RAD

DATE: 5/13/98

DWG No: S01000

SHT No: 2

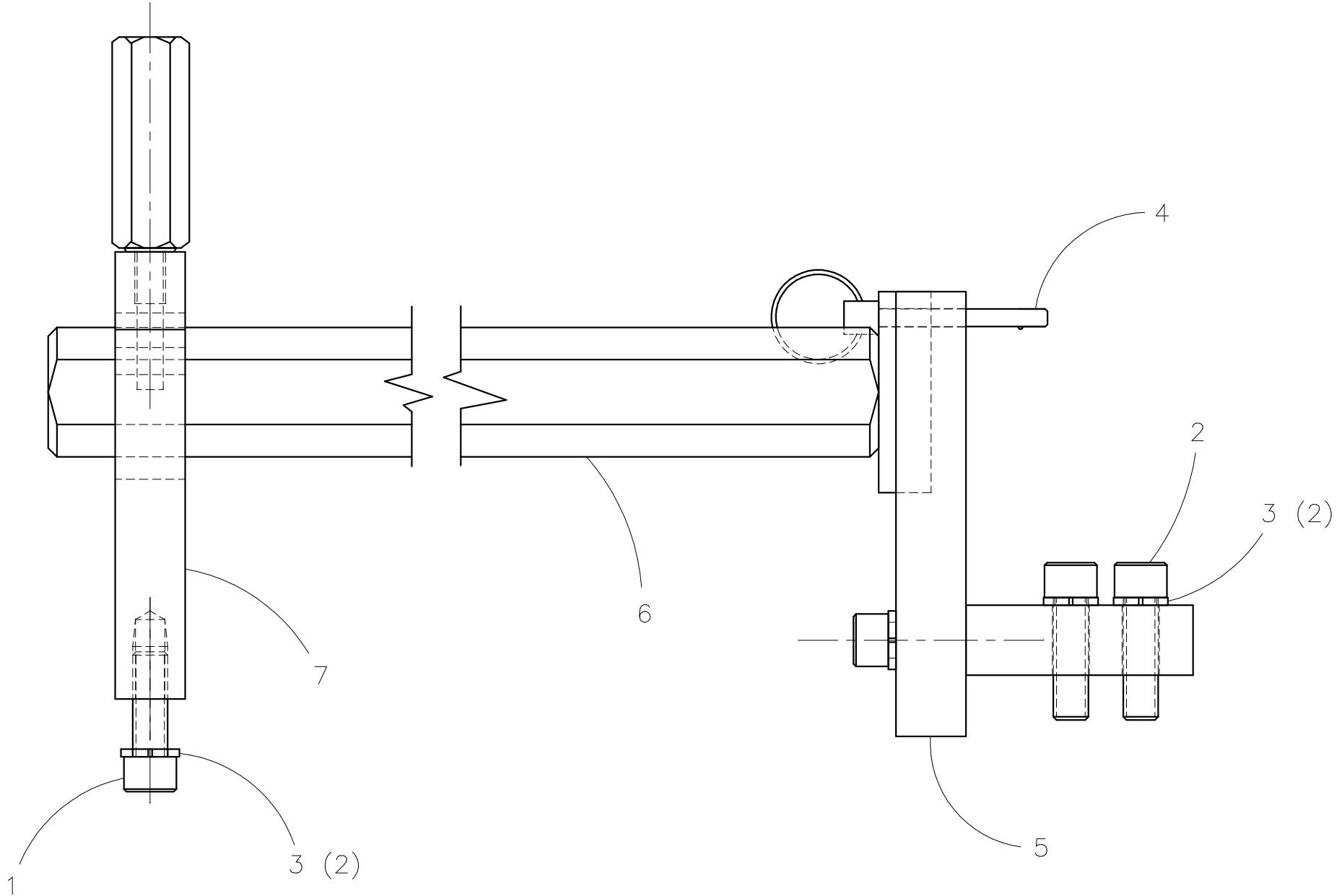
REV No: A

PART No: S01002

2" SDR 11 SIDEWALL FUSION TESTING KIT

CAD No: S01002

NOTE: THIS DRAWING AND THE INFORMATION CONTAINED THEREIN IS THE CONFIDENTIAL AND PROPRIETARY PROPERTY OF McElroy Manufacturing, Inc. THE DRAWING IS NOT TO BE REPRODUCED IN ANY MANNER, SUBMITTED OUTSIDE PARTIES FOR EXAMINATION, OR USED DIRECTLY OR INDIRECTLY FOR THE PURPOSES OTHER THAN THOSE FOR WHICH IT WAS FURNISHED WITHOUT WRITTEN PERMISSION OF McElroy Manufacturing, Inc.



2" SDR 11 SIDEWALL FUSION TESTING KITParts List

ITEM	PART NO.	QTY.	DESCRIPTION
	S01002		ASSEMBLY
1	MAC00141	2	1/2-13NC X 1-1/2"LG SHCS STL BL
2	MAC00142	2	1/2-13NC X 1-3/4"LG SHCS STL BL
3	MBE00009	4	1/2" REG SPLIT LK WASHER STL PL
4	MCE00002	1	1/4"DIA X 2.00" GRIP DETENT PIN
5	S01109	1	BOTTOM SUPPORT ASSEMBLY
6	S01110	1	PIPE SUPPORT ASSEMBLY
7	S01111	1	2" JAW ASSEMBLY

DRAWING REVISION HISTORY LISTING

PART NO: S01002

DESCRIPTION: 2" SDR 11 SIDEWALL FUSION TESTING KIT

<u>APPR.</u>	<u>REV</u>	<u>DATE</u>	<u>BY</u>	<u>DESCRIPTION OF REVISION</u>
JRP	A	10/14/98	RLE	UPDATED PICTURE TO AGREE WITH CHANGES MADE ON PARTS & REMOVED ITEM #8, S0100201 INSTRUCTION SHEET, FROM PARTS LIST.