



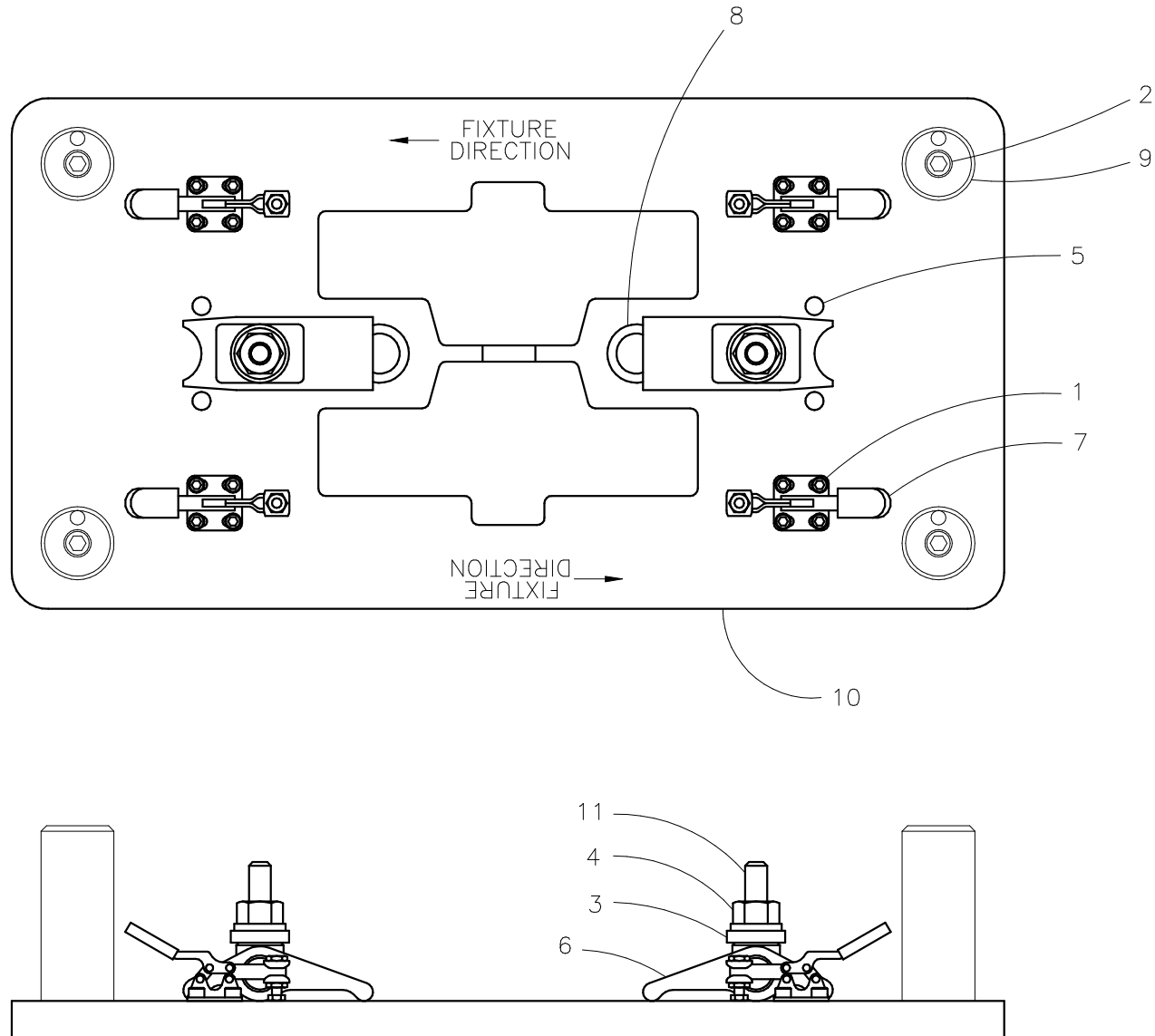
McElroy Manufacturing, Inc.

The leader by design.

Tulsa, Oklahoma U.S.A.

DRAWN: RLE	CHECK: BWP	APPRV'D: JRP	DATE: 10/12/98	DWG No: S00600	SHT No: 7	REV No:	PART No: S00607
BASE PLATE ASSEMBLY							CAD No: S00607

NOTE: THIS DRAWING AND THE INFORMATION CONTAINED THEREIN IS THE CONFIDENTIAL AND PROPRIETARY PROPERTY OF McElroy Manufacturing, Inc. THE DRAWING IS NOT TO BE REPRODUCED IN ANY MANNER, SUBMITTED OUTSIDE PARTIES FOR EXAMINATION, OR USED DIRECTLY OR INDIRECTLY FOR THE PURPOSES OTHER THAN THOSE FOR WHICH IT WAS FURNISHED WITHOUT WRITTEN PERMISSION OF McElroy Manufacturing, Inc.



**BASE PLATE ASSEMBLY**Parts List

ITEM	PART NO.	QTY.	DESCRIPTION
	<b>S00607</b>		<b>ASSEMBLY</b>
1	MAC00023	16	#8-32NC x 1/2 LG SHCS
2	MAC00083	4	5/16-18NC x 3" LG SHCS
3	MBG00054	2	FLAT WASHER
4	MBH00044	2	FLANGE NUT
5	MCI00013	4	5/16 DIA x 1-3/4 LG DOWEL PIN
6	MJA00012	2	FORGED ADJUSTABLE CLAMP
7	MJA00013	4	TOGGLE CLAMP
8	MNC00380	2	DRILL BUSHING
9	MNE00100	4	JIG FEET
10	S00602	1	BASE PLATE
11	S00610	2	STUD