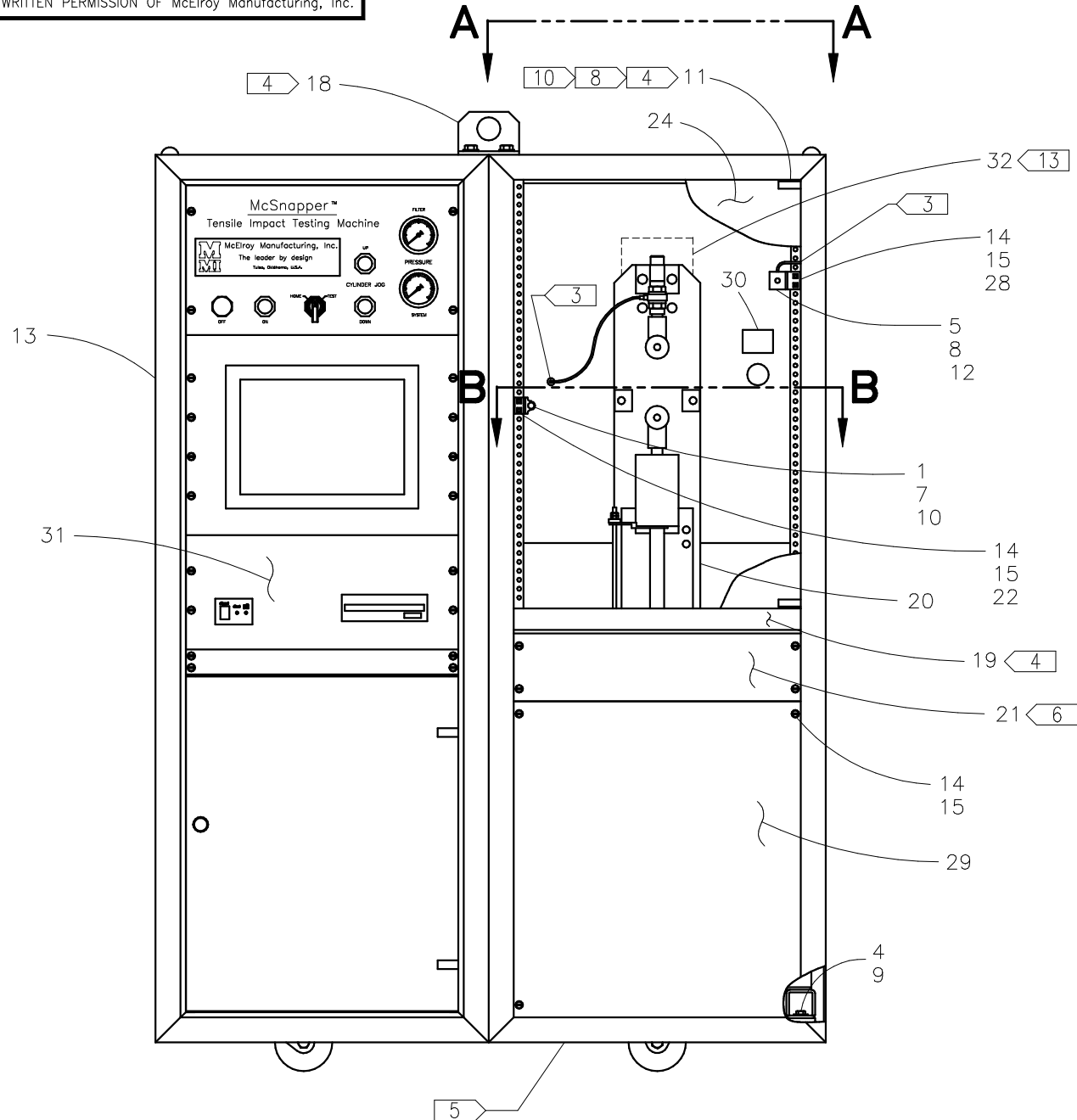




McElroy Manufacturing, Inc.
 The leader by design.
 Tulsa, Oklahoma U.S.A.

DRAWN: RLE	CHECK: CED	APPR'D: JRP	DATE: 09/22/98	DWG No: S00100	SHT No: 3A	REV No:	PART No: S00103
McSnapper ASSEMBLY							CAD No: S00103

NOTE: THIS DRAWING AND THE INFORMATION CONTAINED THEREIN IS THE CONFIDENTIAL AND PROPRIETARY PROPERTY OF McElroy Manufacturing, Inc. THE DRAWING IS NOT TO BE REPRODUCED IN ANY MANNER, SUBMITTED OUTSIDE PARTIES FOR EXAMINATION, OR USED DIRECTLY OR INDIRECTLY FOR THE PURPOSES OTHER THAN THOSE FOR WHICH IT WAS FURNISHED WITHOUT WRITTEN PERMISSION OF McElroy Manufacturing, Inc.





McElroy Manufacturing, Inc.

The leader by design.

Tulsa, Oklahoma U.S.A.

DRAWN: RLE

CHECK: CED

APPRV'D: JRP

DATE: 09/22/98

DWG No: S00100

SHT No: 3B

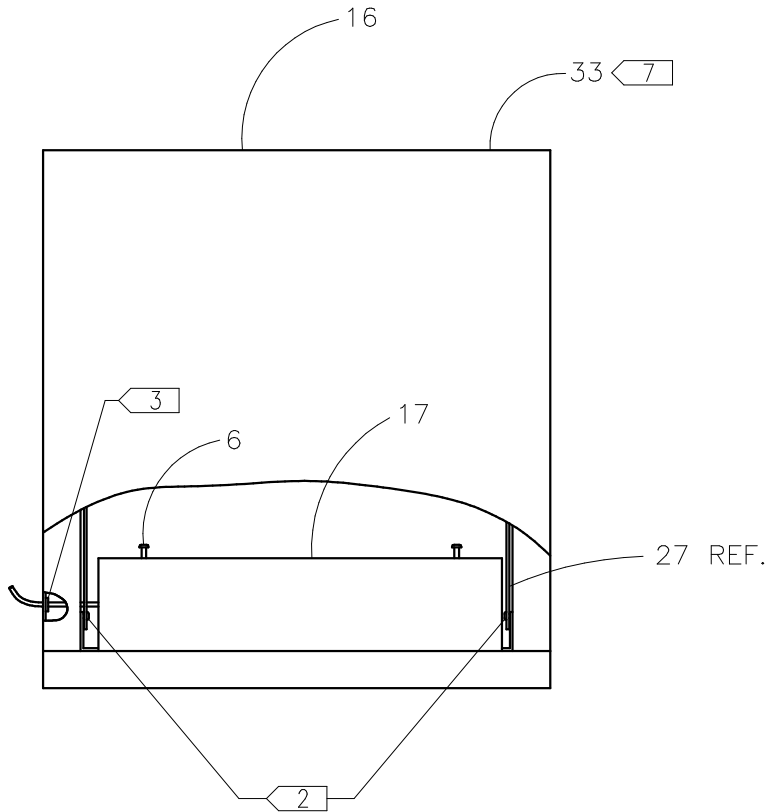
REV No:

PART No: S00103

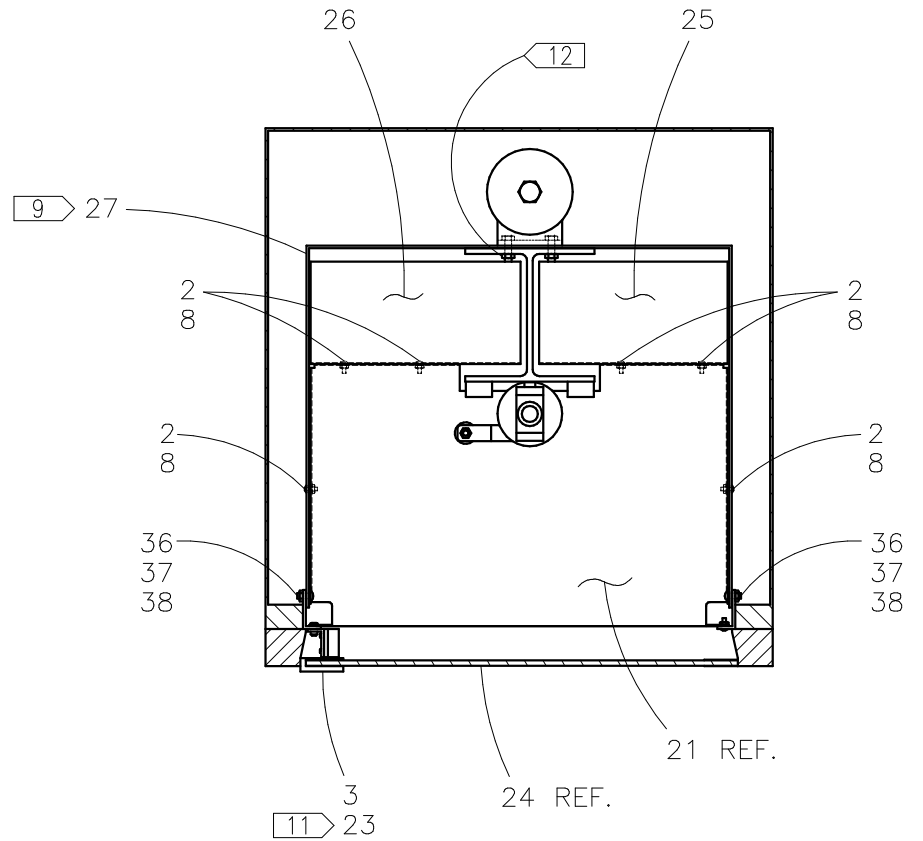
McSnapper ASSEMBLY

CAD No: S00103

NOTE: THIS DRAWING AND THE INFORMATION CONTAINED THEREIN IS THE CONFIDENTIAL AND PROPRIETARY PROPERTY OF McElroy Manufacturing, Inc. THE DRAWING IS NOT TO BE REPRODUCED IN ANY MANNER, SUBMITTED OUTSIDE PARTIES FOR EXAMINATION, OR USED DIRECTLY OR INDIRECTLY FOR THE PURPOSES OTHER THAN THOSE FOR WHICH IT WAS FURNISHED WITHOUT WRITTEN PERMISSION OF McElroy Manufacturing, Inc.



VIEW A-A



SECTION B-B

McSnapper ASSEMBLYParts List

ITEM	PART NO.	QTY.	DESCRIPTION
	S00103		ASSEMBLY
1	MAE00003	4	#4-40NC x 1/2 LG BHSCS
2	MAE00018	8	#8-32NC x 1/2 LG BHSCS
3	MAG00003	2	#10-24NC x 1/4 LG SOCKET SET SCREW
4	MAH00114	8	M8 x 1.25 x 20MM LG HHCS
5	MAH00116	2	#8-32NC x 1-1/8 LG RHSMS
6	MAP00002	2	#12 x 2-1/2 LG PHSSMS
7	MBA00001	4	#4-40NC HEX NUT
8	MBA00003	8	#8-32NC HEX NUT
9	MBF00007	8	3/8 TYPE 'A' WIDE FLAT WASHER
10	MJP00027	1	MAGNETIC LATCH
11	MJP00028	2	GLASS DOOR HINGE KIT
12	MKE00024	1	DOOR SWITCH
13	MLA00079	1	PAIR SIDE WALLS
14	MLA00087	12	FIXING SCREWS
15	MLA00088	12	CAPTIVE NUTS
16	MLA00157	1	ELECTRICAL BOX
17	MLA00160	1	FLUORESCENT LIGHT W/COVER
18	MLA00161	2	INTERCONNECTING LIFT LUG
19	MLA00163	1	DIVIDER BEZEL
20	S00104	1	McSnapper TOP ASSEMBLY
21	S00222	1	LOWER DROP PANEL
22	S00234	1	MAGNETIC LATCH MOUNTING BRACKET
23	S00235	1	DOOR LATCH PLATE
24	S00236	1	TEMPERED GLASS DOOR
25	S00237	1	BACK RIGHT DROP PANEL
26	S00238	1	BACK LEFT DROP PANEL
27	S00239	1	BACK DROP PANEL
28	S00240	1	COUPON DOOR SWITCH MOUNTING BRACKET
29	S00343	1	BLANK PANEL
30	S00346	1	VELOCITY CONTROL PLACARD
31	S00421	1	ELECTRONIC CABINET ASSEMBLY
32	S00347	1	ACCUMULATOR PRECHARGE PLACARD
33	829201	1	DANGER HIGH VOLTAGE LABEL
34	S00105	1	McSnapper OPERATOR'S MANUAL
35	S00413	1	McSnapper ELECTRICAL ASSEMBLY
36	MAE00032	6	1/4-20NC x 5/8 LG BHSCS
37	MBA00005	6	1/4-20NC HEX NUT
38	MBF00005	6	1/4 FLAT WASHER

McSnapper ASSEMBLY

Parts List

ITEM	PART NO.	QTY.	DESCRIPTION
------	----------	------	-------------

NOTES:

1. ITEMS #34 & #35 NOT SHOWN.
2. USE BOLT THAT COMES WITH MLA00157, ELECTRICAL BOX.
3. USE RUBBER PLUG THAT COMES WITH MLA00157, ELECTRICAL BOX.
4. MOUNTING HARDWARE SUPPLIED WITH COMPONENT.
5. REMOVE BEZEL BEFORE ASSEMBLY TO PREVENT SCRATCHING.
6. REMOVE RAIL MEMBERS BEFORE INSTALLING.
7. MOUNT ITEM #32, LABEL, NEXT TO THE BACK DOOR LATCHES.
8. TO MOUNT HINGES DRILL INTO THE TOP OF BEZEL & ITEM #19 23/64" DIA., 1/2" FROM THE EDGE.
9. DRILL MOUNTING HOLES DURING ASSEMBLY.
10. USE STRIKER PLATE SO SET SCREWS DO NOT CONTACT GLASS.
11. SEE NOTE #10. USE STRIKER PLATE OUT OF EXTRA ITEM #11(MJP00028). EXTRA ITEM WILL BE INCLUDED AS REPLACEMENT PART.
12. REMOVE BOLTS ATTACHING THE ACCUMULATOR TO THE I-BEAM & REINSTALL WITH ITEM #27 IN BETWEEN.
13. MOUNT ITEM #32, LABEL, TO ITEM #27, BACK DROP PANEL, LOCATE APPROXIMATELY AS SHOWN.

DRAWING REVISION HISTORY LISTING

PART NO: S000103

DESCRIPTION: McSnapper ASSEMBLY

<u>APPR.</u>	<u>REV</u>	<u>DATE</u>	<u>BY</u>	<u>DESCRIPTION OF REVISION</u>
CED	----	3/24/99	AH	ADDED EXTRA HINGE KIT ITEM #11(MJP00028), SO THAT THE EXTRA STRIKER PLATE AND HINGES ARE PROVIDED FOR REPLACEMENT PARTS.