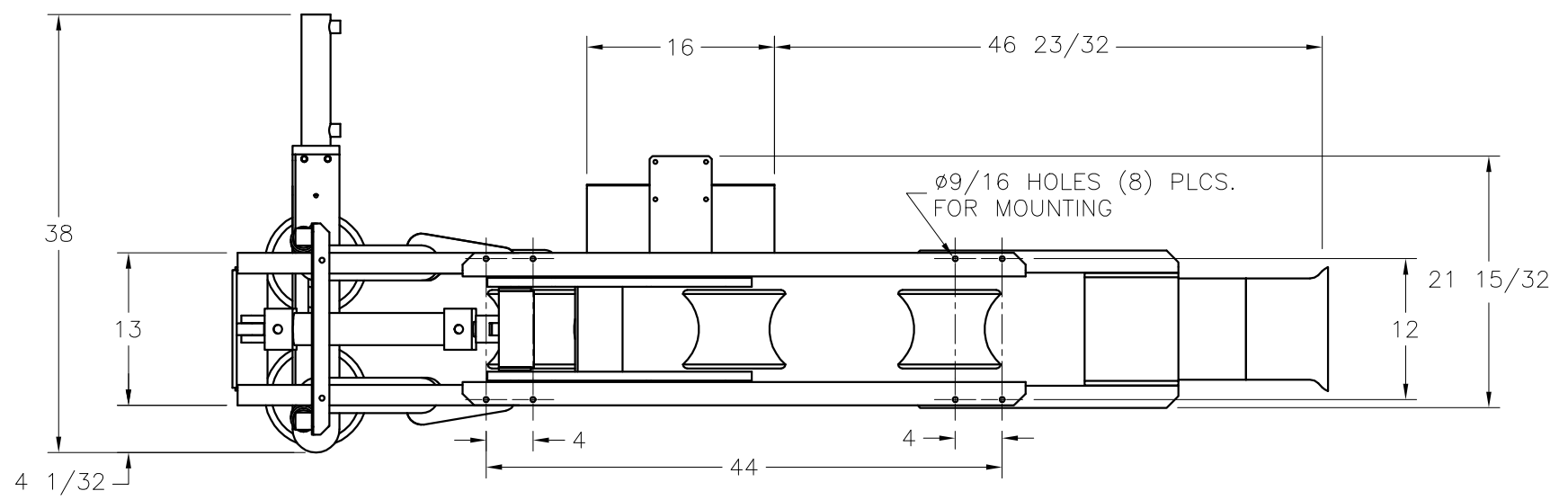
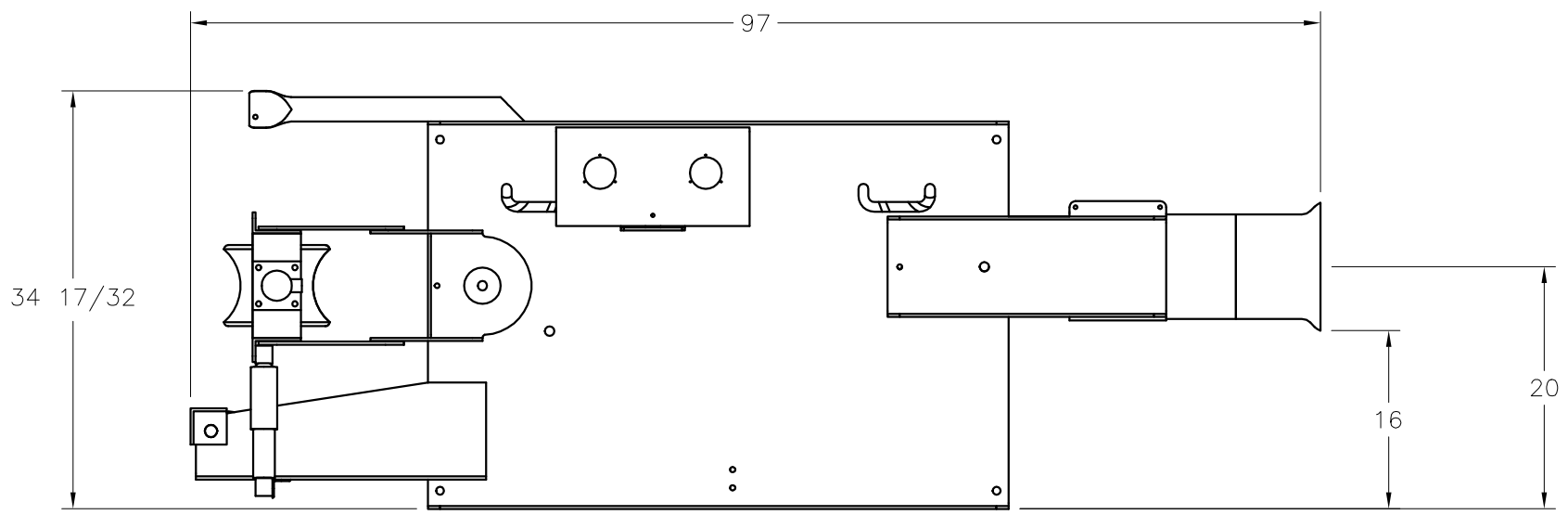




McElroy Manufacturing, Inc.
The leader by design.
Tulsa, Oklahoma U.S.A.

DRAWN: TLW	CHECK: TLW	APPRV'D: SWB	DATE: 6/12/00	DWG No: LT0163	SHT No: 1	REV No: A	PART No: LT0163
LineTamer™ INSTALLATION DRAWING							CAD No: LT0163

NOTE: THIS DRAWING AND THE INFORMATION CONTAINED THEREIN IS THE CONFIDENTIAL AND PROPRIETARY PROPERTY OF McElroy Manufacturing, Inc. THE DRAWING IS NOT TO BE REPRODUCED IN ANY MANNER, SUBMITTED OUTSIDE PARTIES FOR EXAMINATION, OR USED DIRECTLY OR INDIRECTLY FOR THE PURPOSES OTHER THAN THOSE FOR WHICH IT WAS FURNISHED WITHOUT WRITTEN PERMISSION OF McElroy Manufacturing, Inc.



ø9/16 HOLES (8) PLCS.
FOR MOUNTING

DRAWING REVISION HISTORY LISTING

PART NO: LT0163

DESCRIPTION: LineTamer INSTALLATION DRAWING

<u>APPR.</u>	<u>REV</u>	<u>DATE</u>	<u>BY</u>	<u>DESCRIPTION OF REVISION</u>
SWB	A	08/08/01	BWW	REVISED 7/16 DIA. MOUNTING HOLES TO 9/16 DIA. TO MATCH MAIN FRAME PLATE REVISED ON 04/04/01.