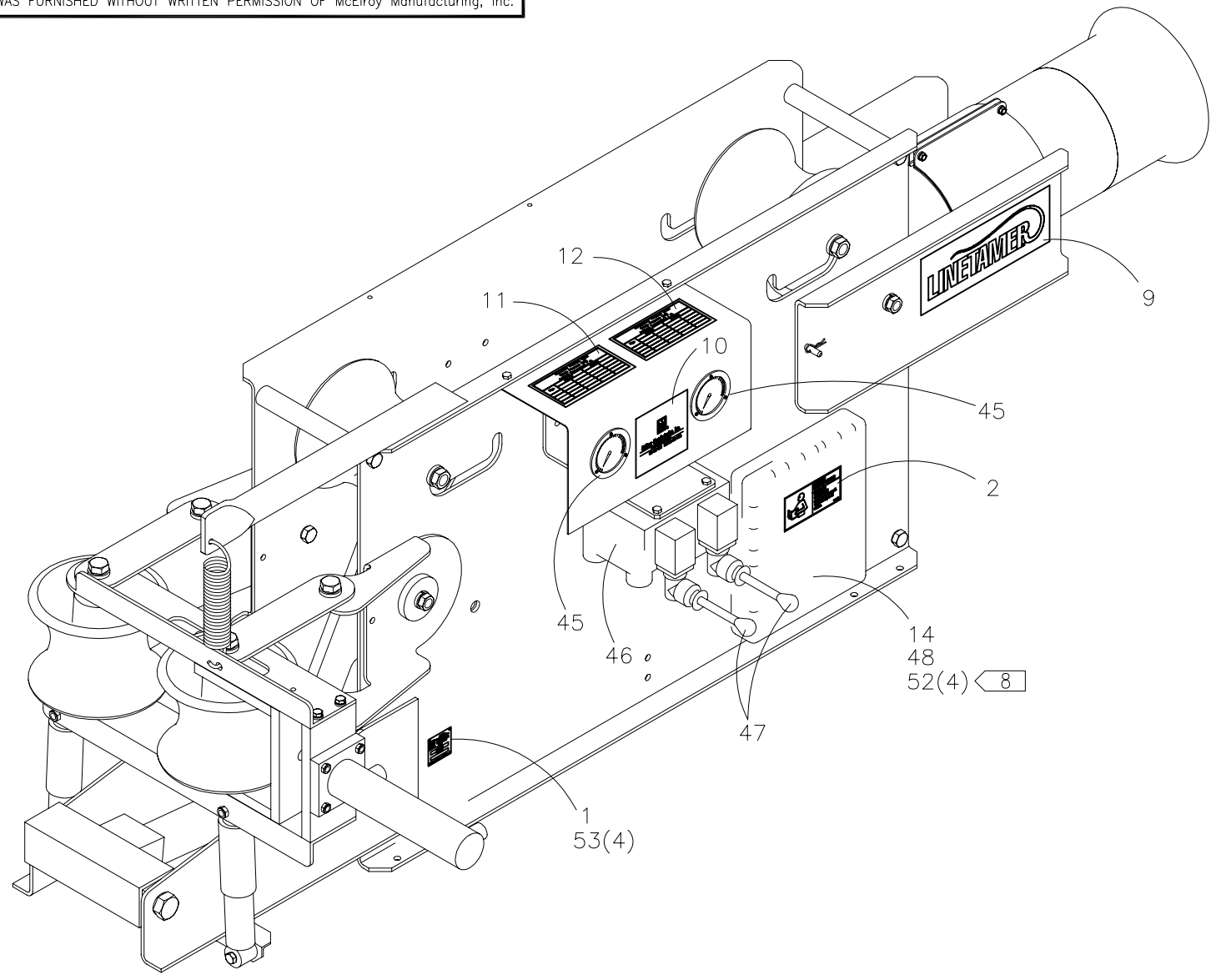




McElroy Manufacturing, Inc.
 The leader by design.
 Tulsa, Oklahoma U.S.A.

DRAWN: AH	CHECK: JRP	APPRV'D: JRP	DATE: 12/26/96	DWG No: LT0048	SHT No: 1A	REV No: H	PART No: LT0048
Line Tamer ASSEMBLY							CAD No: LT0048

NOTE: THIS DRAWING AND THE INFORMATION CONTAINED THEREIN IS THE CONFIDENTIAL AND PROPRIETARY PROPERTY OF McElroy Manufacturing, Inc. THE DRAWING IS NOT TO BE REPRODUCED IN ANY MANNER, SUBMITTED OUTSIDE PARTIES FOR EXAMINATION, OR USED DIRECTLY OR INDIRECTLY FOR THE PURPOSES OTHER THAN THOSE FOR WHICH IT WAS FURNISHED WITHOUT WRITTEN PERMISSION OF McElroy Manufacturing, Inc.

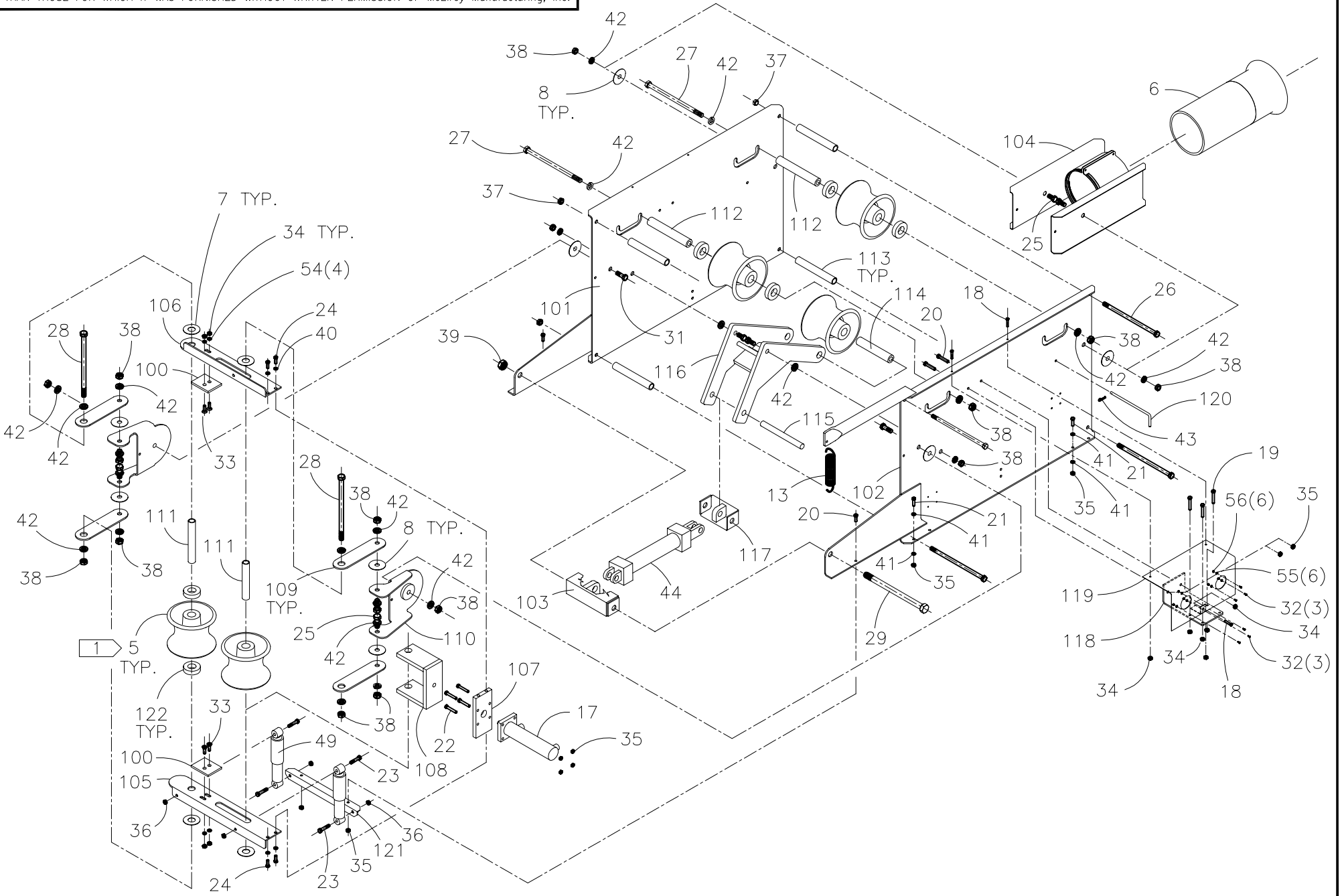




McElroy Manufacturing, Inc.
The leader by design.
Tulsa, Oklahoma U.S.A.

DRAWN: RLE	CHECK: JRP	APPRV'D: JRP	DATE: 12/26/96	DWG No: LT0048	SHT No: 1B	REV No: H	PART No: LT0048
Line Tamer ASSEMBLY							CAD No: LT0048

NOTE: THIS DRAWING AND THE INFORMATION CONTAINED THEREIN IS THE CONFIDENTIAL AND PROPRIETARY PROPERTY OF McElroy Manufacturing, Inc. THE DRAWING IS NOT TO BE REPRODUCED IN ANY MANNER, SUBMITTED OUTSIDE PARTIES FOR EXAMINATION, OR USED DIRECTLY OR INDIRECTLY FOR THE PURPOSES OTHER THAN THOSE FOR WHICH IT WAS FURNISHED WITHOUT WRITTEN PERMISSION OF McElroy Manufacturing, Inc.

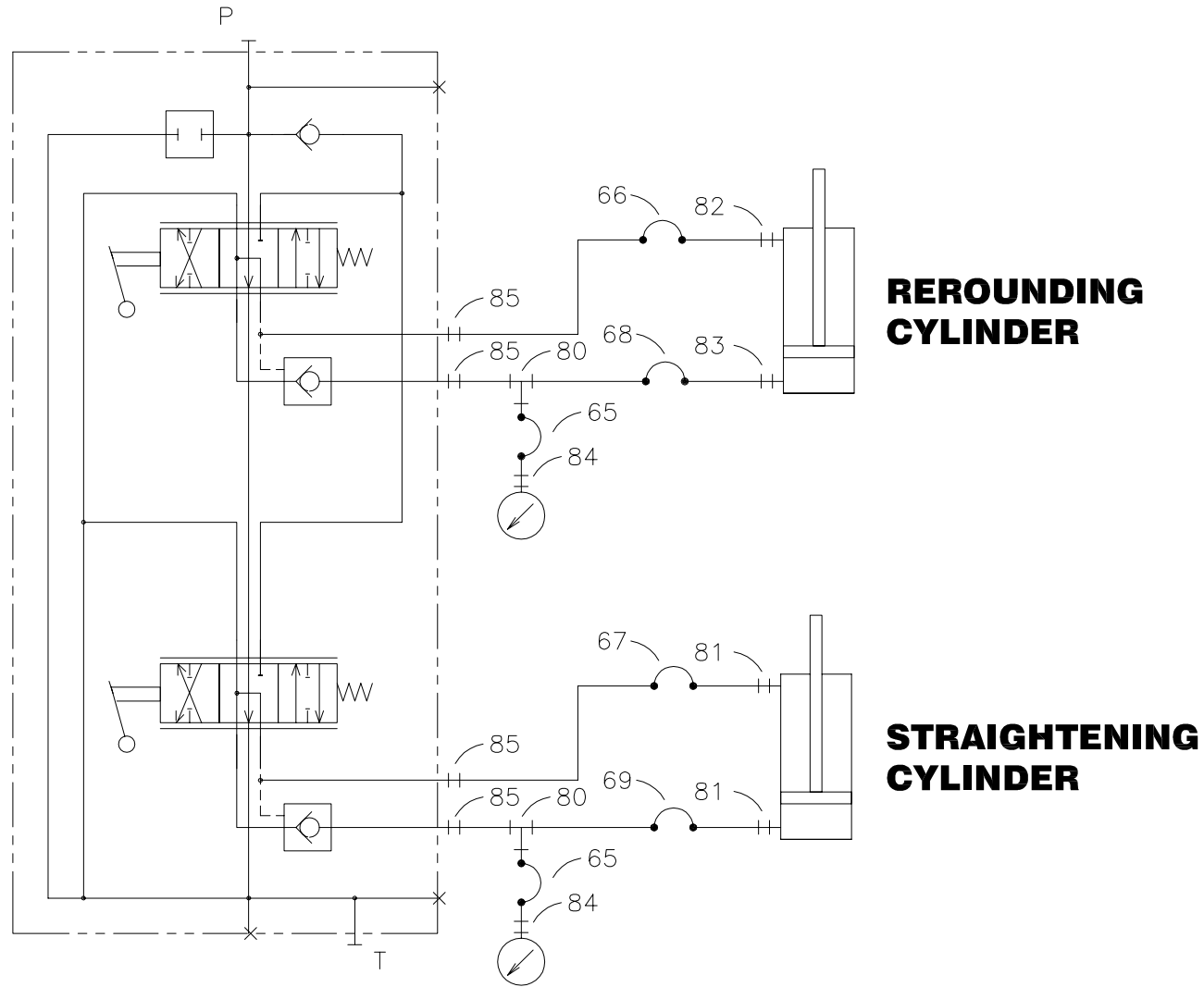




McElroy Manufacturing, Inc.
The leader by design.
© Tulsa, Oklahoma U.S.A.

DRAWN: RLE	CHECK: JRP	APPRV'D: JRP	DATE: 12/26/96	DWG No: LT0048	SHT No: 1C	REV No: H	PART No: LT0048
Line Tamer ASSEMBLY							CAD No: LT0048

NOTE: THIS DRAWING AND THE INFORMATION CONTAINED THEREIN IS THE CONFIDENTIAL AND PROPRIETARY PROPERTY OF McElroy Manufacturing, Inc. THE DRAWING IS NOT TO BE REPRODUCED IN ANY MANNER, SUBMITTED OUTSIDE PARTIES FOR EXAMINATION, OR USED DIRECTLY OR INDIRECTLY FOR THE PURPOSES OTHER THAN THOSE FOR WHICH IT WAS FURNISHED WITHOUT WRITTEN PERMISSION OF McElroy Manufacturing, Inc.



LineTamer™ ASSEMBLYParts List

ITEM	PART NO.	QTY.	DESCRIPTION
	LT0048		ASSEMBLY
1	PL1-LT0048	1	NAMEPLATE
2	816342	1	SAFETY INSTRUCTIONS MANUAL LABEL
3	ALT0068	1	LINE TAMER HOSE KIT
4	ALT0085	1	LINETAMER FITTING KIT
5	LT0003	5	4"-6" PIPE REROUND/STRAIGHTEN ROLLER ASSEMBLY
6	LT000906	1	PIPE GUIDE SLEEVE
7	LT002501	4	FRICITION DISK - 3" O.D. x 1-5/16" I.D.
8	LT002502	8	FRICITION DISK - 3" O.D. x 13/16" I.D.
9	LT0038	2	LineTamer™ LOGO LABEL
10	LT0039	1	MMI LOGO LABEL
11	LT0040	1	REROUND PRESSURE CHART LABEL
12	LT0041	1	STRAIGHTENING PRESSURE CHART LABEL
13	LT0042	1	REROUNDER SPRING
14	LT0104	1	LineTamer™ / HPU SKID PACKAGE OPERATOR'S MANUAL
15			
16			
17	LT0082	1	2"B x 7"S x 1-1/4"R HYD. CYLINDER
18	MAB00003	3	1/4-20NC x 3/4" LG. HHCS
19	MAB00010	3	1/4-20NC x 2-1/2" LG. HHCS
20	MAB00064	4	3/8-16NC x 1" LG. HHCS
21	MAB00066	4	3/8-16NC x 1-1/2" LG HHCS
22	MAB00068	4	3/8-16NC x 2" LG. HHCS
23	MAB00100	4	7/16-14NC x 2-1/4" LG. HHCS
24	MAB00103	4	1/2-13NC x 1" LG. HHCS
25	MAB00123	6	3/4-10NC x 2" LG. HHCS
26	MAB00087	4	5/8-11NC x 11" LG. HHCS
27	MAB00088	2	3/4-10NC x 11" LG. HHCS
28	MAB00089	2	3/4-10NC x 12" LG. HHCS
29	MAB00090	1	1-8NC x 12" LG. HHCS
30			
31	MAB00092	4	3/4-10NC x 2-1/2" LG. HHCS
32	MAN00012	6	#6-32NC x 1/2 "LG. SHCS SS
33	MAJ00002	4	1/4-20NC x 1" LG. FHPMS
34	MBC00005	10	1/4-20NC FINISHED HEX NYLON LOCK NUT
35	MBC00007	12	3/8-16NC FINISHED HEX NYLON LOCK NUT

LineTamer™ ASSEMBLY

Parts List

ITEM	PART NO.	QTY.	DESCRIPTION
36	MBC00008	4	7/16-14NC FINISHED HEX NYLON LOCK NUT
37	MBC00011	4	5/8-11NC FINISHED HEX NYLON LOCK NUT
38	MBC00012	14	3/4-10NC FINISHED HEX NYLON LOCK NUT
39	MBC00014	1	1-8NC FINISHED HEX NYLON LOCK NUT
40	MBE00009	4	1/2" REGULAR SPLIT LOCK WASHER
41	MBF00007	8	3/8" TYPE 'A' WIDE FLAT WASHER
42	MBF00012	24	3/4" TYPE 'A' WIDE FLAT WASHER
43	MCH00015	1	3/8" DIA x 1-7/8" LG. HAIR PIN
44	MEB00103	1	2-1/2"B x 12"S x 1-1/4"R HYD. CYLINDER
45	MEE00043	2	PRESSURE GUAGE
46	MEF00075	1	DIRECTIONAL CONTROL VALVE
47	MEF00077	2	VALVE HAND LEVER
48	MJQ00260	1	STANDARD 8-1/2" x 11" LITERATURE COMPARTMENT
49	MJQ00313	2	SHOCK ABSORBER
50			
51	MLN00112	6	BLACK NYLON CABLE TIE x 11" LG.
52	MAH00037	4	#10-24NC x 3/4" LG. HWH TC SCREW
53	MAH00006	4	#6 x 1/4" LG. DRIVE SCREW
54	MBF00005	4	1/4" TYPE 'A' WIDE FLAT WASHER
55	MBF00002	6	#6 TYPE 'A' WIDE FLAT WASHER
56	MBC00002	6	#6-32NC MACHINE SCREW NYLON LOCK NUT
100	LT0004	2	4"-6" REROUND ROLLER STOP PLATE
101	LT000703	1	MAIN FLANGE PLATE WELDMENT
102	LT000704	1	MAIN FLANGE PLATE ASSEMBLY WELDMENT
103	LT000803	1	THRUST BLOCK WELDMENT
104	LT000905	1	PIPE GUIDE ASSEMBLY
105	LT001001	1	LOWER REROUNDER FRAME WELDMENT
106	LT001002	1	UPPER REROUNDER FRAME WELDMENT
107	LT001003	1	REROUNDER FRAME CYLINDER MOUNT
108	LT001101	1	REROUNDER COMPRESSION FRAME WELDMENT
109	LT001102	4	REROUNDER HORIZONTAL PIVOT PLATE
110	LT001201	2	REROUNDER VERTICAL PIVOT PLATE WELDMENT
111	LT001301	2	REROUNDER ROLLER BEARING
112	LT001302	2	FIXED ROLLER BEARING
113	LT001303	4	MAIN PLATE SPACER
114	LT001304	1	ARM ROLLER BEARING
115	LT001305	1	ARM PIN
116	LT001601	1	ARM WELDMENT
117	LT001602	1	THRUST BLOCK WELDMENT
118	LT0043	1	REROUND/STRAIGHTEN ROLLER VALVE BRACKET

LineTamer™ ASSEMBLYParts List

ITEM	PART NO.	QTY.	DESCRIPTION
119	LT0045	1	GAUGE/VALVE COVER
120	LT0081	1	PIPE GUIDE/REROUNDER SUPPORT PIN
121	LT0083	1	SHOCK SUPPORT BRACKET
122	LT0084	6	ROLLER SPACER

NOTES:

1. FILL ITEM #5 WITH GREASE AT ASSEMBLY.
2. MOUNT ITEM 44 WITH PORTS ON THE BOTTOM SIDE.
- 3.
4. ITEM NUMBERS 65 TO 69 ARE PART OF HOSE KIT ALT0068.
5. ITEM NUMBERS 80 TO 85 ARE PART OF FITTING KIT ALT0085.
6. ITEMS 3,4, & 51 NOT SHOWN.
- 7.
8. LOCATE ITEM 48 APPROXIMATELY AS SHOWN. USE ITEM 48 AS A TEMPLATE, DRILL FOUR #17(.173) DIA. HOLES FOR SECURING ITEM 48.

DRAWING REVISION HISTORY LISTING

PART NO: LT0048

DESCRIPTION: Line Tamer ASSEMBLY

<u>APPR.</u>	<u>REV</u>	<u>DATE</u>	<u>BY</u>	<u>DESCRIPTION</u>
JRP	A	8/13/97	AH	REVISED & RENUMBERED ALL ITEM NUMBERS. (ADDED SUB-ASSEMBLYS LT0075, ALT0068, & ALT0085 ITEM NUMBERS INTO ASSEMBLY DRAWING LT0048 SHEETS 1A, 1B, & 1C. TO REFLECT CURRENT USAGE). CHANGED SHT. 1 TO SHT. 1A, ADDED NEW SHEETS 1B & 1C. ADDED NEW ITEM NUMBERS 2 (816342), 3 (ALT0068), 4 (ALT0085), 45 (MEE00043), 46 ((EF00075), 47 (MEF00077), 48 (MJQ00260), 50 (MJU00001), & 51 (MLN00112). DELETED LT0063 HYDRAULIC INSTALLATION.
TLW	B	2/12/99	AH	ADDED NOTE # 7 TO ASSEMBLE GAUGE WITH LOCTITE #242.
TLW	C	8/5/99	DJL	REVISED TO REMOVE ITEM 50 MJU00001(VHB TAPE) AND ADD ITEM 52 SCREWS TO SECURE LITERATURE COMPARTMENT. ADDED NOTE 8 FOR ATTACHMENT OF LITERATURE COMPARTMENT AT ASSEMBLY.
TLW	---	9/11/00	PB	REVISED DRAWING BY CUTTING AWAY TOP SURFACE OF ITEM #103 ON SHT. 1B TO CLARIFY PROPER ORIENTATION AT ASSEMBLY.
TLW	D	12/29/00	RLE	REVISED ITEM #1 FROM 410904 NAMEPLATE TO PL1-LT0048 NAMEPLATE & ADDED ITEM #53 MCK00005 QTY. (4) TO MOUNT NAMEPLATE.
SWB	E	3/7/01	RLE	DELETED ITEM #30 MAB00091 & REPLACED WITH ITEM #25 MAB00123 FOR BETTER FIT.
	--	04/11/03	BWW	CHANGED ITEM 53 FROM MCK00005 TO MAH00006 TO STANDARDIZE NAMEPLATE ATTACHMENT.
SWB	F	08/09/01	BWW	REMOVED ITEM 16 LT0075 & REPLACED WITH SEPARATE ITEMS OF LT0075 (100-122) WHICH IS NOW AN INVALID NUMBER. ALSO REMOVED NOTE 3.
SWB	G	04/11/03	BWW	REVISED ITEM 53 FROM MCK00005 TO MAH00006 TO STANDARDIZE NAMEPLATE ATTACHMENT METHOD. ADDED QTY OF ITEM 53 TO DRAWING.
SWB	H	2/7/05	RLE	REVISED ITEM #32 MAH00036 TO MAN00012, ADDED ITEM #55 MBF00002 QTY. (6), ITEM #56 MBC00002 QTY. (6) & REMOVED NOTE #7 DUE TO CHANGE IN PRESSURE GAUGE MOUNTING. ADDED ITEM #54 MBF00005 QTY. (4) TO UPPER RE-ROUNDER FRAME WELDMENT ON SHEET 1B TO MATCH AS BUILT CONDITION.

LineTamer™ HOSE KITParts List

ITEM	PART NO.	QTY.	DESCRIPTION
	ALT0068	1	ASSEMBLY
65	HABDDB017	2	HOSE ASSEMBLY OAL 17"
66	HBBDDD038	1	HOSE ASSEMBLY OAL 38"
67	HBBDDD039	1	HOSE ASSEMBLY OAL 39"
68	HBBDDD043	1	HOSE ASSEMBLY OAL 43"
69	HBDDDD048	1	HOSE ASSEMBLY OAL 48"

NOTES:

1. SEE LineTamer™ ASSEMBLY LT0048 SHT. 1C FOR LOCATION OF ITEM NUMBERS.

DRAWING REVISION HISTORY LISTING

PART NO: ALT0068

DESCRIPTION: Line Tamer HOSE KIT

<u>APPR.</u>	<u>REV</u>	<u>DATE</u>	<u>BY</u>	<u>DESCRIPTION</u>
JRP	A	8/13/97	AH	WAS PART OF LT0063, CHANGED ITEM NUMBERS TO REFLECT SUB-COMPONENTS OF REVISED LT0048.

LineTamer™ FITTING KITParts List

ITEM	PART NO.	QTY.	DESCRIPTION
	ALT0085	1	ASSEMBLY
80	MFB00018	2	6MJIC/6MJIC/6FSJIC TEE
81	MFC00027	2	8MSAE/6MJIC ADAPTER
82	MFB00030	1	8MPT/6MJIC ADAPTER
83	MFB00031	1	8MPT/6MJIC ELBOW
84	MFB00123	2	4FPT/4MJIC ADAPTER
85	MFC00002	4	6MSAE/6MJIC ADAPTER

NOTES:

1. SEE LineTamer™ ASSEMBLY LT0048 SHT. 1C FOR LOCATION OF ITEM NUMBERS.

DRAWING REVISION HISTORY LISTING

PART NO: ALT0085

DESCRIPTION: Line Tamer FITTING KIT

<u>APPR.</u>	<u>REV</u>	<u>DATE</u>	<u>BY</u>	<u>DESCRIPTION</u>
JRP	--	8/15/97	RLE	CORRECTED MISTAKE ON ITEM 31, CHANGED MFB00026 TO MFC00027
JRP	A	8/13/97	AH	WAS PART OF LT0063, CHANGED ITEM NUMBERS TO REFLECT SUB-COMPONENTS OF REVISED LT0048.