

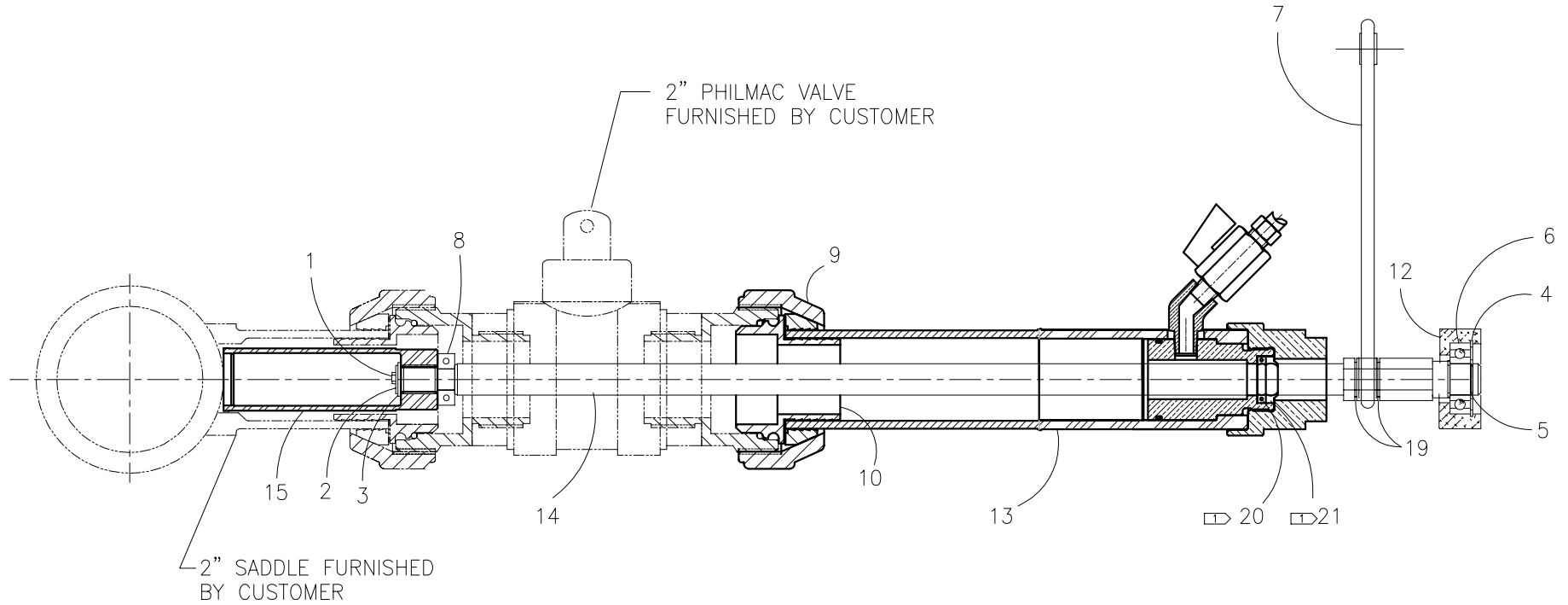


McElroy Manufacturing, Inc.
The leader by design.
Tulsa, Oklahoma U.S.A.

DRAWN: DWP	CHECK: DWP	APPRV'D: DB	DATE: 12/7/95	DWG No: 224500	SHT No: 1	REV No: B	PART No: 224501
H ₂ O TAP MODEL 2 ASSEMBLY							CAD No: 224501

NOTE: THIS DRAWING AND THE INFORMATION CONTAINED THEREIN IS THE CONFIDENTIAL AND PROPRIETARY PROPERTY OF McElroy Manufacturing, Inc. THE DRAWING IS NOT TO BE REPRODUCED IN ANY MANNER, SUBMITTED OUTSIDE PARTIES FOR EXAMINATION, OR USED DIRECTLY OR INDIRECTLY FOR THE PURPOSES OTHER THAN THOSE FOR WHICH IT WAS FURNISHED WITHOUT WRITTEN PERMISSION OF McElroy Manufacturing, Inc.

NOTE:
1. INSTALL WRENCH (7) SO CUTTER (15) TURNS CW



**H₂O Tap Model 2 ASSEMBLY
(FOR SIDEWINDER)**

Parts List

ITEM	PART NO.	QTY.	DESCRIPTION
	224501		ASSEMBLY
1	MAH00091	1	1/4-20NC X 1/2"LG HHCS NYLON LOCK STL PL
2	MBF00005	1	1/4" TYPE 'A' WIDE FLT WASHER STL PL
3	MBG00025	1	3/8" THRUST WASHER
4	MCA00007	1	INT SNAP RING
5	MCB00003	1	EXT SNAP RING
6	MDM00028	1	BALL BEARING
7	MJL00004	1	7/8" & 3/4" RATCHET BOX WRENCH
8	MJQ00056	1	CLAMP COLLAR
9	MMD00069	1	BLACK VALVE ADAPTER
10	MMD00070	1	BLUE VALVE INSERT
12	220701	1	BEARING HOUSING-HOT TAP TOOL
13	22120305	1	2" GLAND FITTING ASS'Y-8000 (WATER)
14	224401	1	H2O TAP-MODEL 2 SHAFT
15	221502	1	TOOTHED CUTTER-2" HOT TAP TOOL
19	MCB00006	2	EXT SNAP RING
20	MDL00023	1	ROD SEAL
21	MDL00024	1	WIPER RING

NOTES:

- ITEMS #20 & #21 ARE PART OF ITEM #13(GLAND FITTING)

DRAWING REVISION HISTORY LISTING

PART NO: 224501

DESCRIPTION: H2O TAP MODEL 2 ASSEMBLY (FOR SIDEWINDER)

<u>APPR.</u>	<u>REV</u>	<u>DATE</u>	<u>BY</u>	<u>DESCRIPTION OF REVISION</u>
SWB	A	08/30/00	RLE	REVISED ITEM #15 221501 TO 221502. LONGER CUTTER, 221502, WAS ALREADY USED ON LIVE WATER TAP MODEL. THIS WILL ALLOW CONSOLIDATION OF CUTTERS FOR WATER TAP TOOLS
SWB	B	2/11/02	ALK	UPDATED VIEW TO MATCH 225007 GLAND FITTING SUB-ASSEMBLY ON 5/29/01