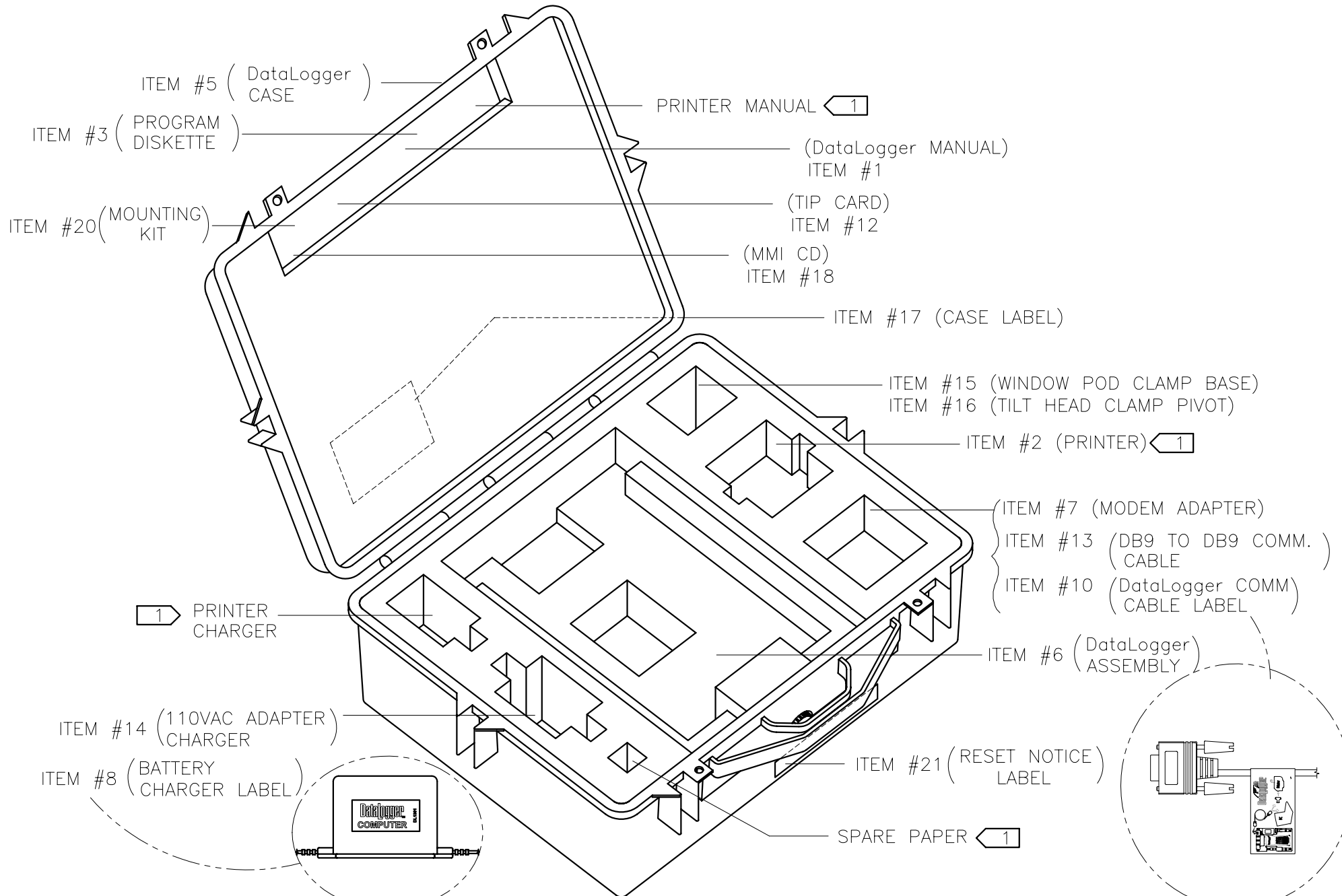




McElroy Manufacturing, Inc.
 The leader by design.
 Tulsa, Oklahoma U.S.A.

DRAWN: MLM	CHECK: TMT	APPRV'D: JRP	DATE: 3/3/99	DWG No: DL2000	SHT No: 1	REV No: G	PART No: DL2001
DataLogger PACKAGE 120V, 60Hz, 1Ph							CAD No: DL2001

NOTE: THIS DRAWING AND THE INFORMATION CONTAINED THEREIN IS THE CONFIDENTIAL AND PROPRIETARY PROPERTY OF McElroy Manufacturing, Inc. THE DRAWING IS NOT TO BE REPRODUCED IN ANY MANNER, SUBMITTED OUTSIDE PARTIES FOR EXAMINATION, OR USED DIRECTLY OR INDIRECTLY FOR THE PURPOSES OTHER THAN THOSE FOR WHICH IT WAS FURNISHED WITHOUT WRITTEN PERMISSION OF McElroy Manufacturing, Inc.



**DataLogger PACKAGE
120V, 60 Hz, 1Ph**

Parts List

ITEM	PART NO.	QTY.	DESCRIPTION
	DL2001		PACKAGE
1	DL3601	1	DataLogger INSTRUCTION MANUAL
2	DL3801	1	DataLogger PRINTER (120V,60HZ)
3	DL3401	1	PROGRAM DISKETTE
4			
5	DL3301	1	DataLogger CASE W/FOAM INSERTS
6	DL2901	1	DataLogger ASSEMBLY
7	MQF00249	1	MODEM ADAPTER
8	DL1301	1	BATTERY CHARGER (COMPUTER) LABEL
9			
10	DL3501	1	COMMUNICATION CABLE LABEL
11			
12	DL1502	1	TIP CARD
13	MQG00043	1	DB9 TO DB9 COMMUNICATION CABLE
14	MQE00061	1	110VAC ADAPTER/CHARGER
15	MJA00014	1	WINDOW POD CLAMP BASE
16	MJA00015	1	TILT HEAD CLAMP PIVOT
17	DL804	1	CASE LABEL
18	CD0020	1	MMI CD "TOOLS TO SUCCEED"
19			
20	A1853106	1	DataLogger MOUNTING KIT
21	DL4101	1	RESET NOTICE LABEL

NOTES:

- ITEM #2 (DL3801) INCLUDES PRINTER, PRINTER MANUAL, SPARE PAPER (MQE00038) AND PRINTER CHARGER (MKG00010).
- SOME SERVICE/ACCESSORY ITEMS NOT SHOWN ARE:

MQE00037	PRINTER RIBBON
MKG00020	COMPUTER BATTERY PACK
MKG00021	STAND-ALONE COMPUTER BATTERY PACK CHARGER, 120V
- PLACE ALL ITEMS GOING IN CASE UPPER POCKET IN ZIP-LIP 10" x 12" PLASTIC BAG.
- TEST AND PACK PER ENGINEERING STANDARD #ES302.

DRAWING REVISION HISTORY LISTING

PART NO:	DL2001			
DESCRIPTION:	DataLogger PACKAGE 120V, 60Hz, 1Ph			
<u>APPR.</u>	<u>REV</u>	<u>DATE</u>	<u>BY</u>	<u>DESCRIPTION OF REVISION</u>
TMT	A	03/18/99	MLM	ADDED MMI CD TO PARTS LIST AND DWG.
TMT	B	05/19/99	MRP	ADD NOTE 2 ABOUT SERVICE/ACCESORY ITEMS. ITEM 13 WAS MOG00048. ADDED PLASTIC BAG, ITEM 19, FOR EASY RETRIVAL OF ITEMS IN POCKET.
BA	C	06/16/99	RLE	MOVED ITEM #9, DL1302 BATTERY CHARGER (PART PRINTER) LABEL, TO DRAWING DL3801 TO ENSURE CUSTOMER GETS LABEL WHEN BUYING DataLogger PRINTER. REMOVED ITEM #19 ZIP-LIP BAG & UPDATED NOTE # 3 FOR ZIP-LIP BAG INSTRUCTION.
RAD	---	02/04/00	BEA	ADDED NOTE 4 "TEST PER ES302".
RAD	D	07/17/00	BEA	CHANGED TIP CARD PART NUMBER TO DL1502.
BA	E	12/27/00	MLM	REMOVED ITEM-4. LABEL IS NOW ON DISKETTE ASSEMBLY(DL3401)
SWB	F	11/05/01	BWW	ADDED ITEM 20 A1853106 MOUNTING KIT.
SWB	G	4/13/04	ALK	REVISED TO ADD ITEM #21 RESET NOTICE LABEL TO IMPROVE RELIABILITY.