



McElroy Manufacturing, Inc.

The leader by design.

Tulsa, Oklahoma U.S.A.

DRAWN: SS

CHECK: SWB

APPRVD: B

DATE: 9/10/96

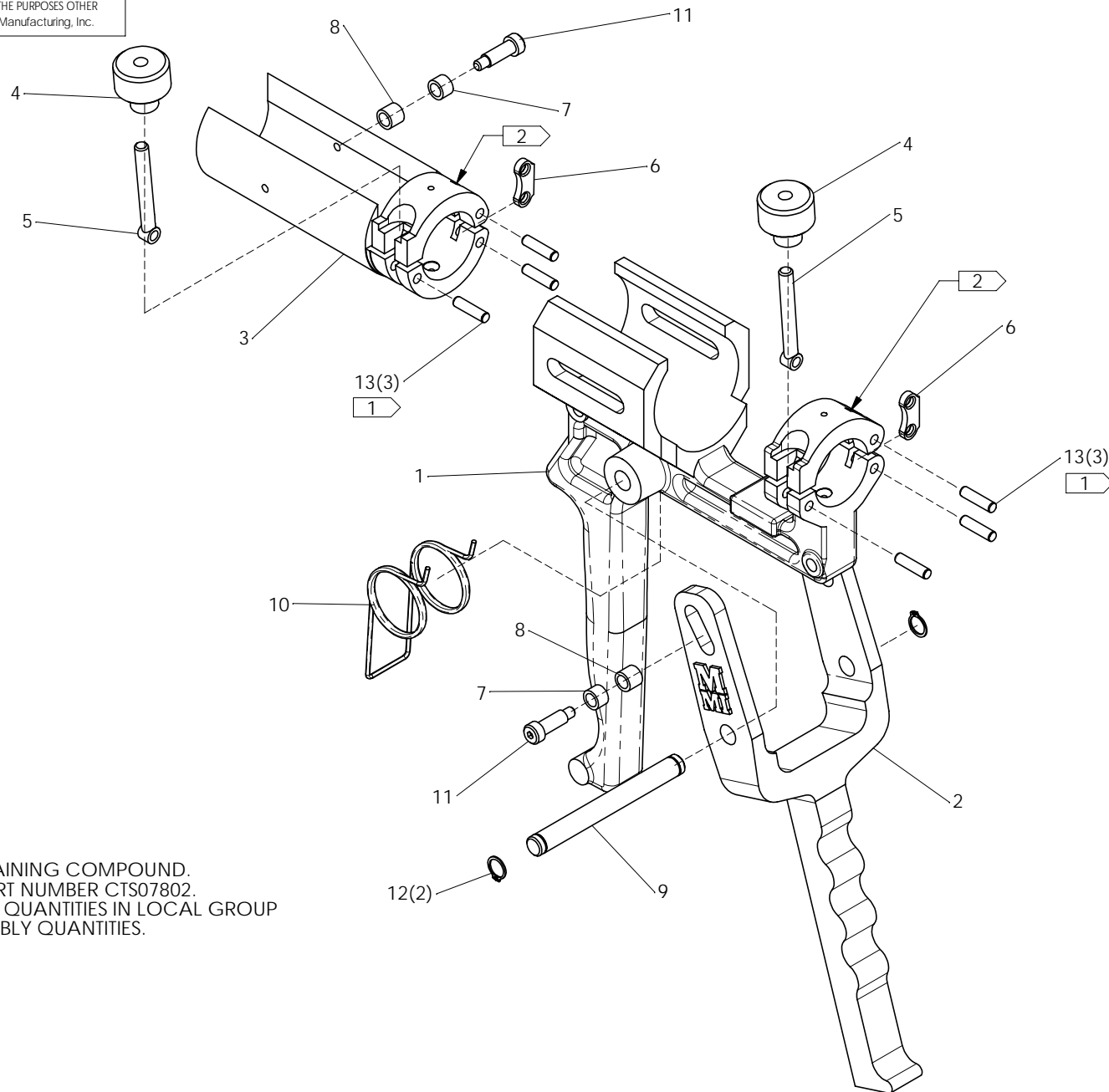
SHT No: 1

REV No: G

PART No: CTS07901

1" IPS Mini-Mc ASSEMBLY

NOTE: THIS DRAWING AND THE INFORMATION CONTAINED THEREIN IS THE CONFIDENTIAL AND PROPRIETARY PROPERTY OF McElroy Manufacturing, Inc. THE DRAWING IS NOT TO BE REPRODUCED IN ANY MANNER, SUBMITTED TO OUTSIDE PARTIES FOR EXAMINATION, OR USED DIRECTLY OR INDIRECTLY FOR THE PURPOSES OTHER THAN THOSE FOR WHICH IT WAS FURNISHED WITHOUT WRITTEN PERMISSION OF McElroy Manufacturing, Inc.



NOTES:

1. INSTALL USING MEDIUM STRENGTH RETAINING COMPOUND.
2. FOR REPLACEMENT CLAMP ORDER PART NUMBER CTS07802.
3. ITEMS SHOWN IN PARENTHESIS REFLECT QUANTITIES IN LOCAL GROUP AND MAY NOT INDICATE TOTAL ASSEMBLY QUANTITIES.

1" IPS MINI-Mc ASSEMBLYPARTS LIST

ITEM	PART NO.	QTY	DESCRIPTION
	CTS07901		Assembly
1	CTS06502	1	1" IPS Body & Upper Clamp
2	CTS06602	1	1" IPS Trigger
3	CTS06402	1	1" IPS Barrel & Upper Clamp
4	CTS10401	2	Bearing Style Clamp Knob Assembly
5	CTS05201	2	Clamp Screw
6	CTS05301	2	Jaw Hinge Link
7	CTS03501	2	Short Spacer Roller
8	CTS03502	2	Long Spacer Roller
9	CTS06701	1	1" IPS Trigger Pivot Pin
10	CTS03701	1	Torque Spring
11	CTS06101	2	Shoulder Screw Modification
12	MCB00017	2	External Snap Ring
13	MCI00006	6	3/16" Dia. x 3/4" Lg. Dowel Pin
14	ACTS08201	1	MiniMc Screw/Driver Kit (NOT SHOWN)

DRAWING REVISION HISTORY LISTING

PART NO: CTS07901
DESCRIPTION: 1" IPS Mini-Mc ASSEMBLY

<u>APPR.</u>	<u>REV</u>	<u>DATE</u>	<u>BY</u>	<u>DESCRIPTION OF REVISION</u>
B	E	9/10/96	SS	REDRAWN TO "A" SIZE.
SWB	F	6/19/98	AH	DELETED ITEM #2 (CTS07802) AND ADDED NOTE 2 WHICH REFLECTS CURRENT PRACTICES.
SWB	G	06/02/05	BWW	ADDED EXPLODED ISOMETRIC VIEW, MOVED NOTES TO DRAWING AND ADDED NOTE 3 FOR CLARITY.